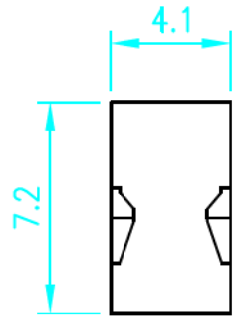
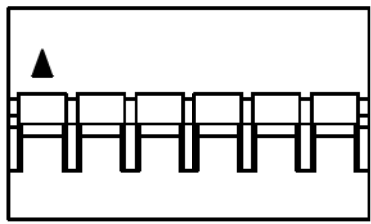
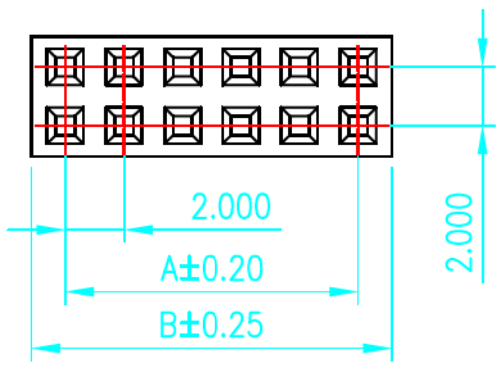


Y E182481

RoHS compliant

| REV | DESCRIPTION | DATE |
|-----|-------------|------|
| | | |



Features:

- * Available in 2X2 through 2X40 Circuits
- * Material: Nylon66 UL94V-0 15%Glass Fiber
- * YY-1950-H04~YY-1950-H19
Accepts YY-1850-T Crimp Terminal
YY-1950-H20~YY-1950-H80
Accepts YY-1950-T Crimp Terminal
- * Mates with YY-1950-WXXS or YY-1950-WXXR Series Housing

Ordering information:

YY-1950-H XX - X - X
 1 2 3 4

- 1 H=Housing
- 2 No. of Circuits 04~80
- 3 No Stopper
FXP:Stopper XX Pin
- 4 Color:

- | | | |
|--------------------------------|---------|----------|
| <input type="checkbox"/> Black | B:Brown | G:Blue |
| D:Orange | C:Red | H:Purple |
| E:Yellow | J:White | I:Gray |
| F:Green | K:Pink | |

| Circuits | Dimension mm | | |
|--------------------------------|--------------|------|--|
| | A | B | |
| 2X2 | 2.0 | 4.3 | |
| 2X3 | 4.0 | 6.3 | |
| A: 2.0 X (Part No. of Pin/2-1) | | | |
| B: 2.3 + A | | | |
| 2X40 | 78.0 | 80.3 | |

| TOLERANCE | |
|-----------|-------|
| X. | --- |
| X.X | ±0.15 |
| X.XX | ±0.10 |
| X.XXX | ±0.05 |
| ANGULAR | --- |

Young Yak Enterprise Co.,Ltd.

TITLE
2.0mm (.079") Pitch Double Row Housing

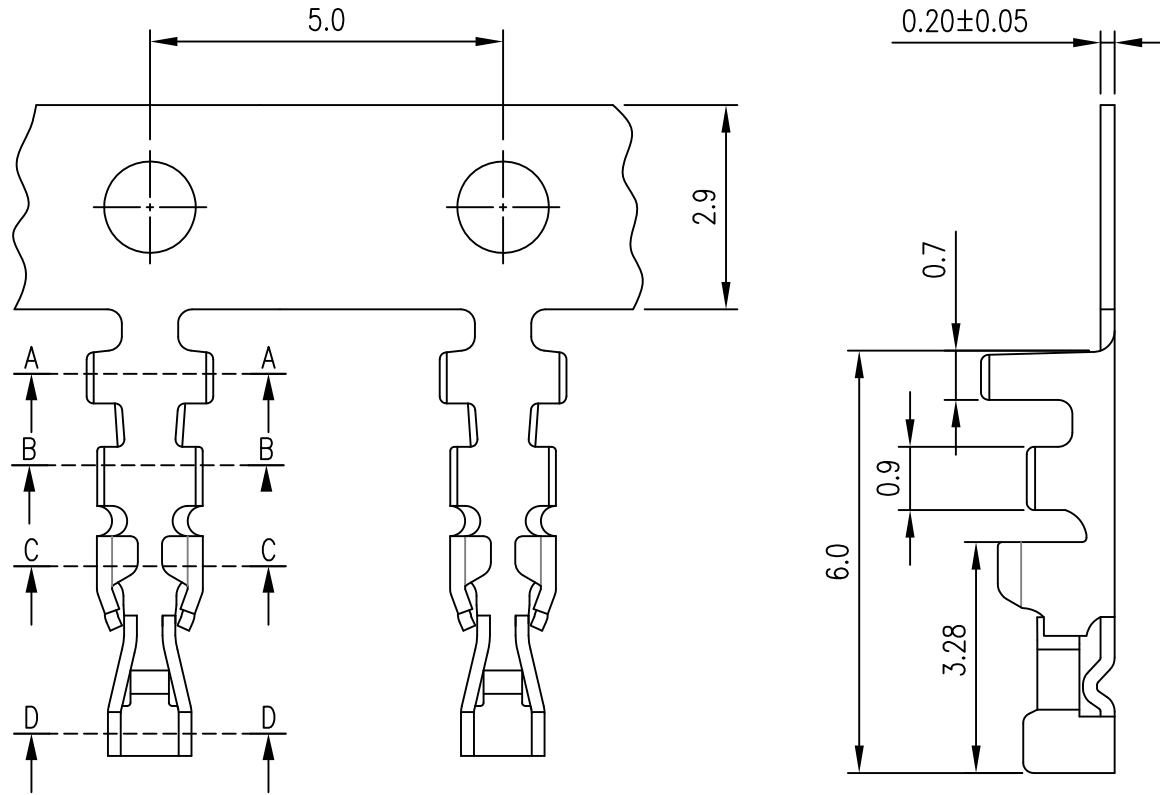
| APPROVALS | | VIEW | SCALE | PART NO. | REV. |
|-----------|-------|------|-------|-----------------|--------|
| DRAWN | Terry | | 1:1 | YY-1950-HXX-X-X | AO |
| CHECKED | Gang | | | | |
| APPROVED | Song | UNIT | SIZE | DWG NO. | SHEET |
| | | MM | A4 | P-1950-H-001 | 1 OF 1 |





C **YI** US E182481

| REV | DESCRIPTION | DATE |
|-----|-------------|------------|
| A1 | EN991005-1 | 2010.10.05 |



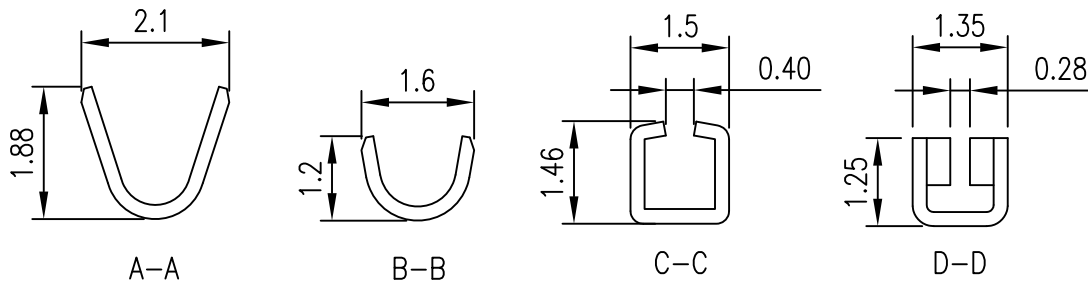
NOTES

- △ Used in YY-1950-H (20~80 Pin are available) or YY-1850-H (20~40 Pin are available) Series Housing
- Accepts AWG #26~30 Wire Range
- Insulation O.D.= 1.35 mm(max)
- Material : Brass
- Finish : Gold-Plated
- Qty/Reel : 15,000 PCS
- Thickness: 0.2mm

ORDERING INFORMATION

YY-1950 - T GB
1 2

- 1. T : Terminal
- 2. Plated
- GB : Gold-Plated



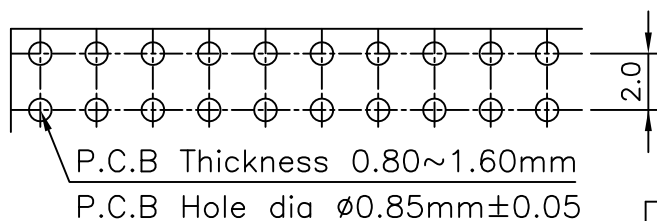
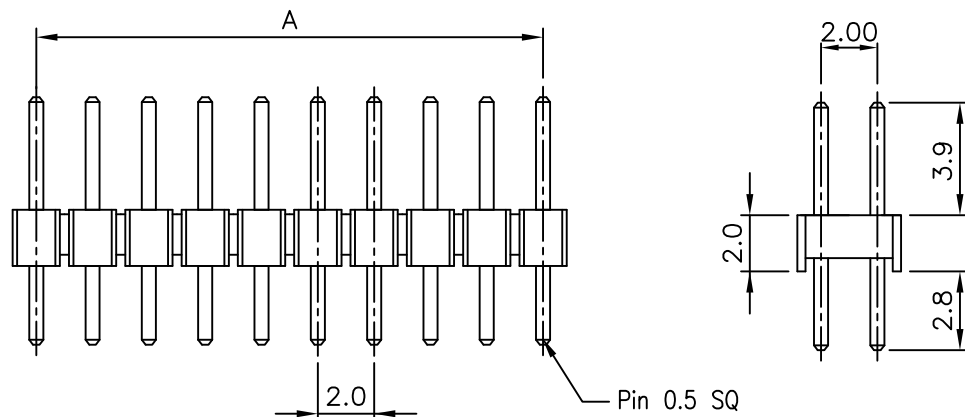
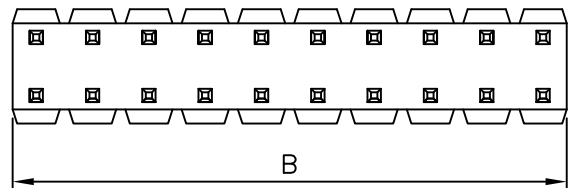
| | | | | |
|--|------------|----------------------------|-----------------|--|
| TOLERANCE X. -- X.X ±0.25 X.XX ±0.15 X.XXX ±0.05 ANGULAR -- | | | | |
| APPROVALS DRAWN Frank 05-October-2010 CHECKED Denise 05-October-2010 APPROVED Jessica 05-October-2010 | | | | |
| VIEW | SCALE F | PART NO. YY-1950-TGB | REV. A1 | |
| UNIT MM | SIZE A4 | DWG NO. YY-1950-TGB-014 | SHEET 1 OF 1 | |





C **YAK** US E182481

| REV | DESCRIPTION | DATE |
|-----|-------------|------|
| | | |



P.C.B. LAYOUT

| Circuits | Dimension mm | | |
|--------------------------------|--------------|------|--|
| | A | B | |
| 2X2 | 2.0 | 4.0 | |
| A: 2.0 X (PART NO. OF PIN/2-1) | | | |
| B: 2.0 X (PART NO. OF PIN/2) | | | |
| 2X40 | 78.0 | 80.0 | |

NOTES

Available in 04 through 80 Pin
 Material: P.B.T UL94-V0
 Mates with YY-1950-H Series Housing
 0.50mm(.020") Square Pin
 Pin Material: Brass/Gold-Plated

ORDERING INFORMATION

YY-1950 - W ** S G
 1 2 3

- No. of Circuits 04~80
- S : Stringht
- Plated
G : Gold



Young Yak Enterprise Co., Ltd.

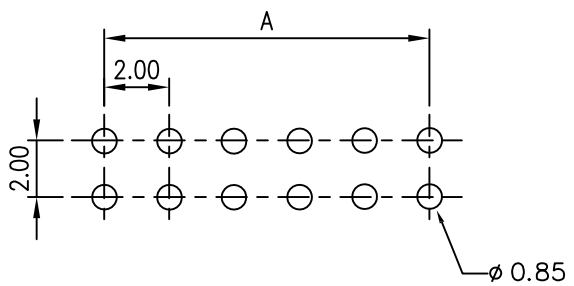
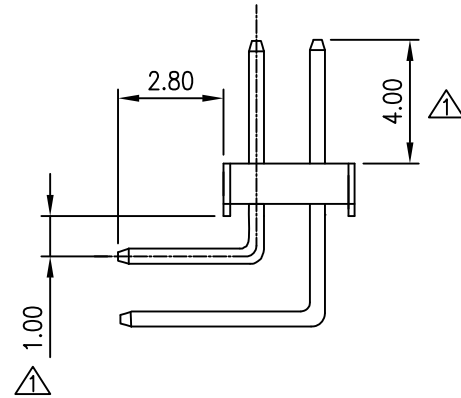
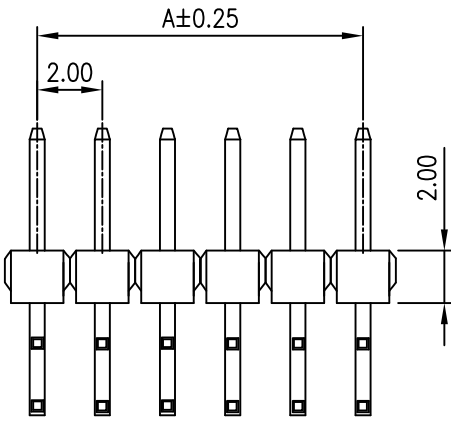
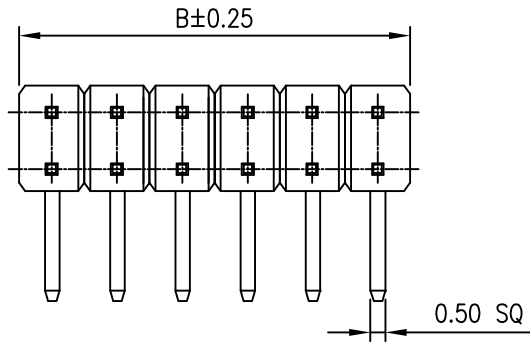
TITLE
 2.0mm(.079") Pitch
 Wire to Board Header

| TOLERANCE | | VIEW | SCALE | PART NO. | REV. |
|-----------|---------|------|-------|-------------------|--------|
| X. | -- | | | | |
| X.X | ±0.25 | | | | |
| X.XX | ±0.15 | | | | |
| X.XXX | ±0.08 | | | | |
| ANGULAR | -- | | | | |
| APPROVALS | | UNIT | SIZE | DWG NO. | SHEET |
| DRAWN | Frank | MM | A4 | YY-1950-W**SG-153 | 1 OF 1 |
| CHECKED | Denise | | | | |
| APPROVED | Jessica | | | | |
| | | | | | |



C **YAK** US E182481

| REV | DESCRIPTION | DATE |
|-----|----------------|------------|
| A1 | EN201406060001 | 2014-06-06 |



RECOMMENDED P.C.B LAYOUT

| Circuits | Dimension mm | | |
|---------------------------------|--------------|-------|--|
| | A | B | |
| 2X2 | 2.00 | 4.00 | |
| A: 2.00 X (PART NO. OF PIN/2-1) | | | |
| B: 2.00 X (PART NO. OF PIN/2) | | | |
| 2X40 | 78.00 | 80.00 | |

NOTES

Available in 04 through 80 Pin
 Material: P.B.T UL94-V0
 Mates with YY-1950-H Series Housing
 0.50mm(.020") Square Pin
 Pin Material: Brass/Gold-Plated

SPECIFICATION:

Current rating: 1 Amp.
 Contact Resistance: 20mΩ Max.
 Insulation Resistance: 5000MΩ Min.
 Dielectric Withstanding Voltage: 1000VAC Min.
 Operating Temperature: -55° TO +105°C

ORDERING INFORMATION

YY-1950 - W ** R G
 1 2 3

- No. of Circuits 04~80
- R : Right Angle
- Plated
G : Gold

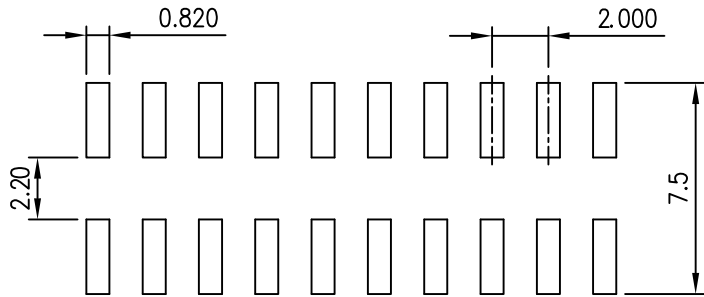
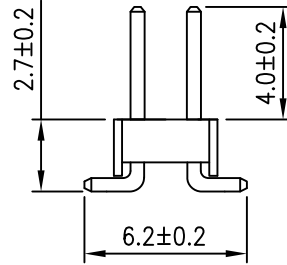
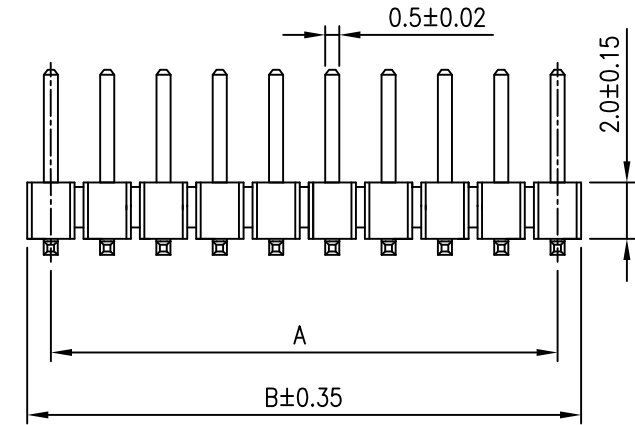
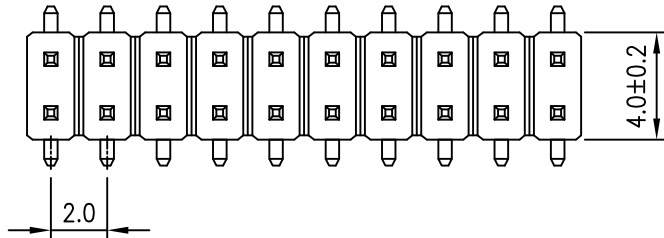


| TOLERANCE | | | | | |
|-----------|--------------|---|-------|-------------------|--------|
| X. | -- | TITLE 2.0mm(.079") Pitch Wire to Board Header | | | |
| X.X | ±0.38 | | | | |
| X.XX | ±0.25 | | | | |
| X.XXX | ±0.10 | | | | |
| ANGULAR | -- | | | | |
| APPROVALS | | | | | |
| DRAWN | Kang | VIEW | SCALE | PART NO. | REV. |
| | 06-June-2014 | | F | YY-1950-W**RG | A1 |
| CHECKED | Denise | UNIT | SIZE | DWG NO. | SHEET |
| | 06-June-2014 | MM | A4 | YY-1950-W**RG-153 | 1 OF 1 |
| APPROVED | Jessica | | | | |
| | 06-June-2014 | | | | |



C **RI** US E182481

| REV | DESCRIPTION | DATE |
|-----|-------------|------|
| | | |



P.C.B.Layout

NOTES

Available in 04 through 80 Circuits
 Material: Nylon 6T UL94-V0
 Accepts YY-1950-H Series Housing
 0.5mm(.019") Square Pin
 Pin Material:Brass/Gold-Plated

ORDERING INFORMATION

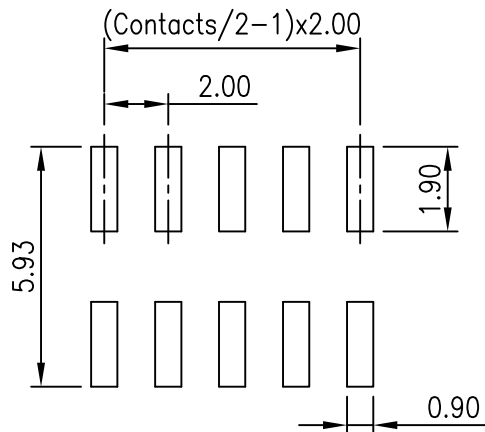
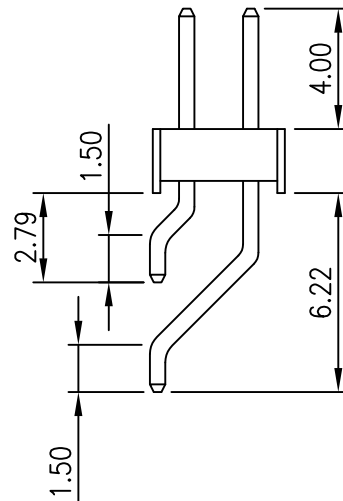
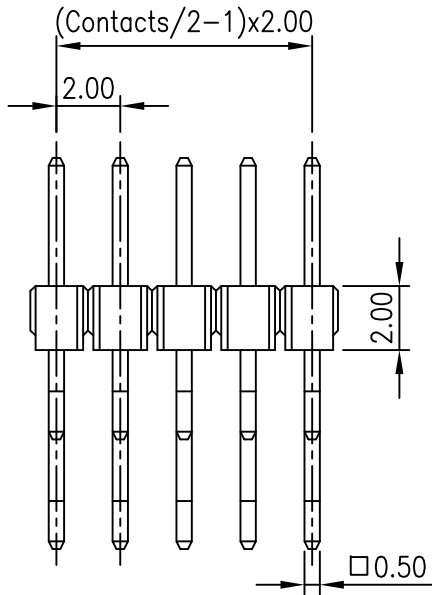
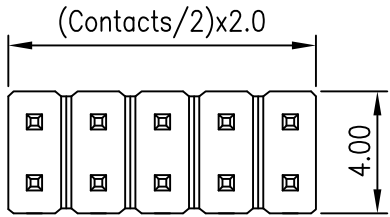
YY-1950 - S ** S G
 1 2 3 4

- 1. S : SMT
- 2. No. of Circuits 02~80
- 3. S : Stright
- 4. Plated
- G : Gold

| Circuits | Dimension mm | | |
|--------------------------------|--------------|------|--|
| | A | B | |
| 2X2 | 2.0 | 4.0 | |
| A: 2.0 X (PART NO. OF PIN/2-1) | | | |
| B: 2.0 X (PART NO. OF PIN/2) | | | |
| 2X40 | 78.0 | 80.0 | |

| TOLERANCE | | | | | |
|-----------|-------------------|--|-------|-------------------|--------|
| X. | -- | Young Yak Enterprise Co., Ltd. TITLE: 2.0mm(.079") Pitch Wire to Board Header | | | |
| X.X | ±0.20 | | | | |
| X.XX | ±0.10 | | | | |
| X.XXX | ±0.05 | | | | |
| ANGULAR | -- | | | | |
| APPROVALS | | | | | |
| DRAWN | Frank | VIEW | SCALE | PART NO. | REV. |
| | 14-September-2009 | | F | YY-1950-S**SG | A0 |
| CHECKED | Denise | UNIT | SIZE | DWG NO. | SHEET |
| | 14-September-2009 | MM | A4 | YY-1950-S**SG-153 | 1 OF 1 |
| APPROVED | Jessica | | | | |
| | 14-September-2009 | | | | |





PCB LAYOUT

| REV | DESCRIPTION | DATE |
|-----|-------------|------------|
| A1 | EN981230-1 | 2009.12.30 |

NOTES

Available in 04 through 80 Circuits
 Material: Thermoplastic UL94-V0
 Accepts YY-1950-H Series Housing
 0.5mm(.020") Square Pin
 Pin Material: Copper Alloys/Gold-Plated or Tin-Plated

SPECIFICATION

Current rating: 1A
 Contact Resistance: 20mΩ Max.
 Insulation Resistance: 5000MΩ Min.
 Dielectric Withstanding Voltage: 1000V AC/minute
 Operation temperature: -55°C to +105°C

ORDERING INFORMATION

YY-1950 - S ** R *
 1 2 3 4

- Solder Type
S : SMT
- No. of Circuits 04~80
- R : Right angle
- Plated
T : Tin
G : Gold



Customer Drawing

| | | | | |
|--|------------|--|-----------------|--|
| TOLERANCE X. -- X.X ±0.38 X.XX ±0.25 X.XXX -- ANGULAR -- | | | | |
| APPROVALS DRAWN Frank 30-December-2009 CHECKED Denise 30-December-2009 APPROVED Jessica 30-December-2009 | | TITLE 2.0mm(.079") Pitch Wire to Board Header | | |
| VIEW | SCALE F | PART NO. YY-1950-S**R* | REV. A1 | |
| UNIT MM | SIZE A4 | DWG NO. YY-1950-S**R*-153 | SHEET 1 OF 1 | |