 E182481

RoHS compliant

REV	DESCRIPTION	DATE

Circuits	Dimension mm	
	A	B
1X2	2.0	4.3
1X3	4.0	6.3
A: 2.0 X (PART NO. OF PIN-1) B: 2.3 + A		
1X40	78.0	80.3

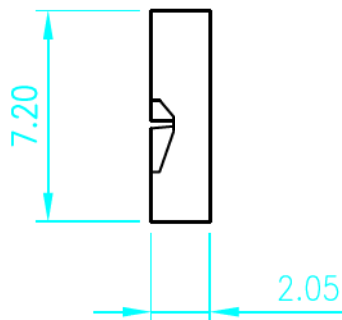
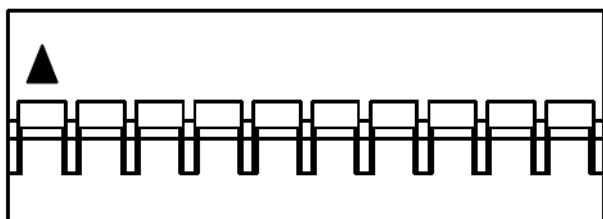
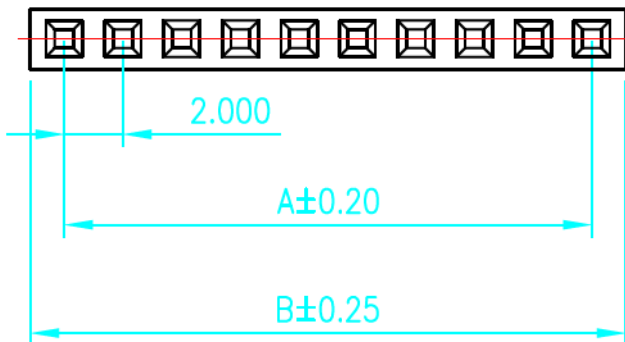
Features:

- * Available in 1X2 through 1X40 Circuits
- * Material: Nylon 66 UL94V-0
- * YY-1850-H02~YY-1850-H19 Accepts YY-1850-T Crimp Terminal
- * YY-1850-H20~YY-1850-H40 Accepts YY-1950-T Crimp Terminal
- * Mates with YY-1850-WXXS or YY-1850-WXXR Series Header
- * Color: Black

Ordering information:

YY-1850-H XX
1 2

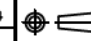
- 1 H=Housing
- 2 No. of Circuits 02~40



TOLERANCE	
X.	---
X.X	±0.25
X.XX	±0.15
X.XXX	±0.05
ANGULAR	---

 Young Yak Enterprise Co.,Ltd.

TITLE
2.0mm (.079") Pitch Single Row Housing

APPROVALS		VIEW	SCALE	PART NO.	REV.
DRAWN	Terry 25-NOV-2014		1:1	YY-1850-HXX	A0
CHECKED	Gang				SHEET
APPROVED	Song	UNIT	SIZE	DWG NO.	1 OF 1
		MM	A4	P-1850-H-001	





C **YI** US E182481

REV	DESCRIPTION	DATE
A1	EN991005-1	2010.10.05

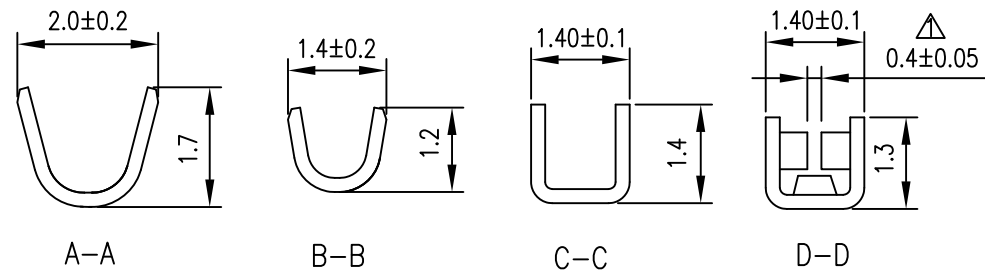
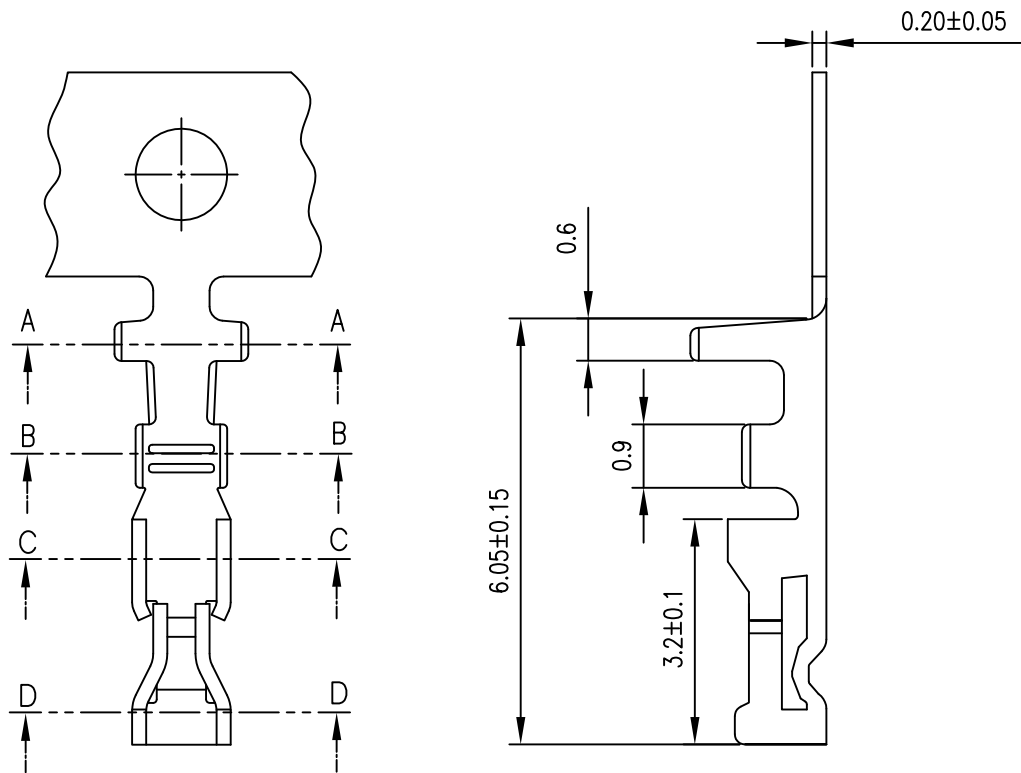
NOTES

- △ Used in YY-1850-H YY-1870-H**L
(01~19 Pin are available) or
YY-1950-H YY-1970-H Series Housing
(04~19 Pin are available)
Accepts AWG #26~30 Wire Range
Insulation O.D.= 1.35 mm(max)
Material : Brass or Phosphor Bronze
Finish : Gold-Plated
Qty/Reel : 10,000 PCS
Thickness: 0.2mm

ORDERING INFORMATION

YY-1850 - T GB *
 1 2 3

1. T : Terminal
2. GB : Gold
3. Material
□ : BRASS
P : Phosphor bronze

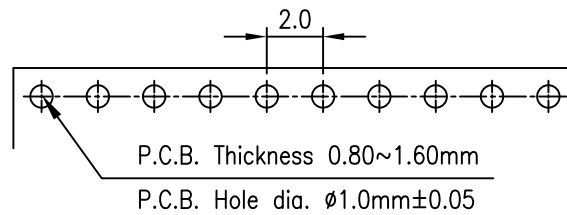
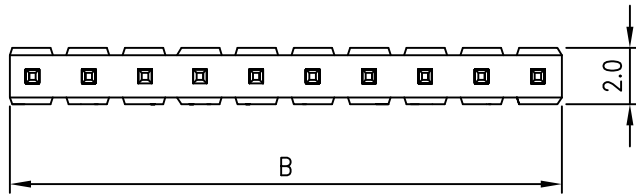
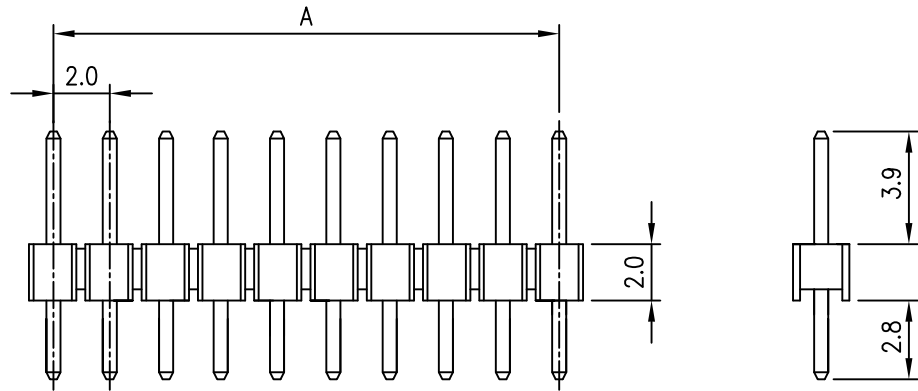


TOLERANCE		Young Yak Enterprise Co., Ltd.			
X.	--	TITLE 2.0mm(.079") Pitch Wire to Board Terminal			
X.X	±0.25				
X.XX	±0.13				
X.XXX	±0.08				
ANGULAR		--			
APPROVALS					
DRAWN	Frank	VIEW	SCALE	PART NO.	REV.
	05-October-2010		10:1	YY-1850-TGB*	A1
CHECKED	Denise	UNIT	SIZE	DWG NO.	SHEET
	05-October-2010	MM	A4	YY-1850-TGB*-012	1 OF 1
APPROVED	Jessica				
	05-October-2010				



C **YI** US E182481

REV	DESCRIPTION	DATE



PCB LAYOUT

Circuits	Dimension mm		
	A	B	
1X2	2.00	4.00	
A: 2.0 X (PART NO. OF PIN-1)			
B: 2.0 X (PART NO. OF PIN)			
1X40	78.00	80.00	

NOTES

Available in 1X2 through 1x40 Circuits
 Material: P.B.T UL94-V0
 Mates with YY-1850-H Series Housing
 0.50mm(.020") Square Pin
 Pin Material: Brass/Gold-Plated

ORDERING INFORMATION

YY-1850 - W ** S G
 1 2 3

- 1. No. of Circuits 02~40
 - 2. S : Straight
 - 3. Plated
- G : Gold

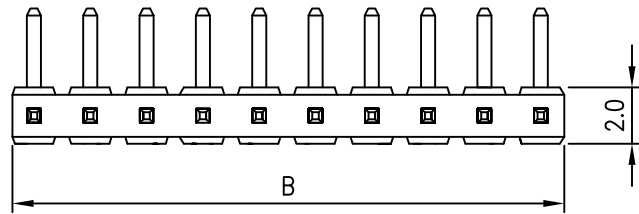


TOLERANCE					
X.	--	TITLE 2.0mm(.079") Pitch Wire to Board Header			
X.X	±0.25				
X.XX	±0.15				
X.XXX	±0.05				
ANGULAR	--				
APPROVALS					
DRAWN	Frank	VIEW	SCALE	PART NO.	REV.
	19-September-2009		F	YY-1850-W**SG	A0
CHECKED	Denise	UNIT	SIZE	DWG NO.	SHEET
	19-September-2009	MM	A4	YY-1850-W**SG-153	1 OF 1
APPROVED	Jessica				
	19-September-2009				



C **Y** US E182481

REV	DESCRIPTION	DATE



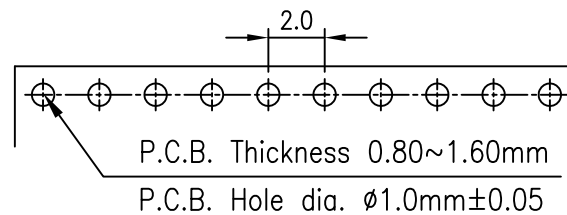
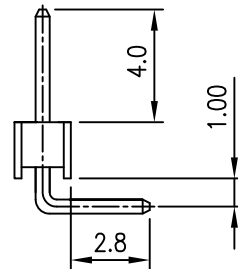
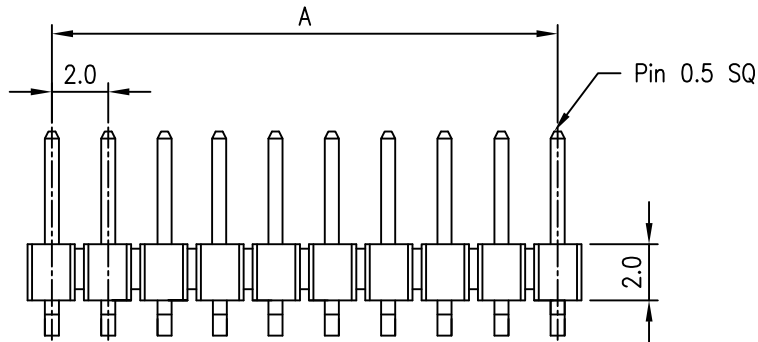
NOTES

Available in 1X2 through 1x40 Circuits
 Material: P.B.T UL94-V0
 Mates with YY-1850-H Series Housing
 0.50mm(.020") Square Pin
 Pin Material: Brass/Gold-Plated

ORDERING INFORMATION

YY-1850 - W ** R G
 1 2 3

- No. of Circuits 02~40
- R : Right Angle
- Plated
 G : Gold



PCB LAYOUT

Circuits	Dimension mm		
	A	B	
1X2	2.00	4.00	
A: 2.0 X (PART NO. OF PIN-1)			
B: 2.0 X (PART NO. OF PIN)			
1X40	78.00	80.00	

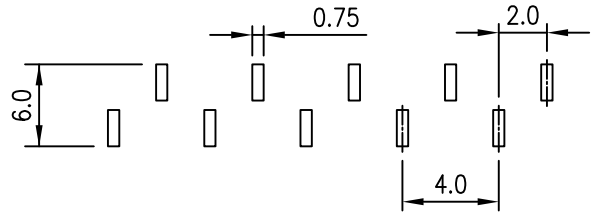
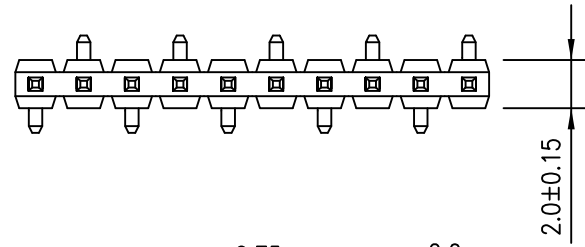
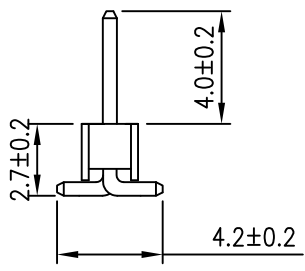
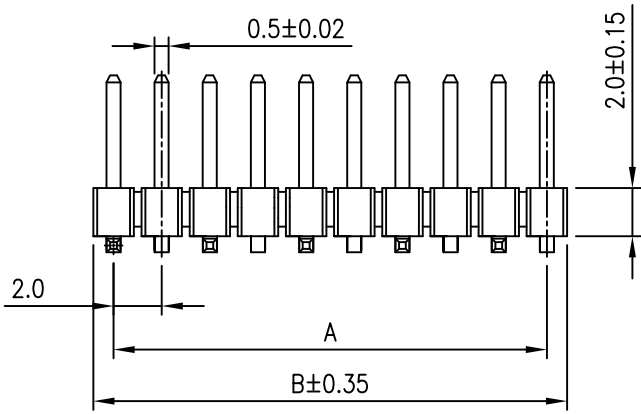
TOLERANCE				
X.	--	Young Yak Enterprise Co., Ltd. TITLE 2.0mm(.079") Pitch Wire to Board Header		
X.X	±0.25			
X.XX	±0.15			
X.XXX	±0.05			
ANGULAR	--			
APPROVALS				
DRAWN	Frank	VIEW	SCALE	PART NO.
	19-September-2009		4:1	YY-1850-W**RG
CHECKED	Denise	UNIT	SIZE	DWG NO.
	19-September-2009	MM	A4	YY-1850-W**RG-153
APPROVED	Jessica			REV.
	19-September-2009			AO
				SHEET
				1 OF 1





C **YI** US E182481

REV	DESCRIPTION	DATE



PCB LAYOUT

NOTES

Available in 1X2 through 1x40 Circuits
 Material: Nylon 6T UL94-V0
 Mates with YY-1850-H Series Housing
 0.50mm(.020") Square Pin
 Pin Material: Brass/Gold-Plated

ORDERING INFORMATION

YY-1850 - S ** S G
 1 2 3 4

- 1. SMT
- 2. No. of Circuits 02~40
- 3. S : Straight
- 4. Plated
- G : Gold

Circuits	Dimension mm	
	A	B
1X2	2.00	4.00
A: 2.0 X (PART NO. OF PIN-1) B: 2.0 X (PART NO. OF PIN)		
1X40	78.00	80.00

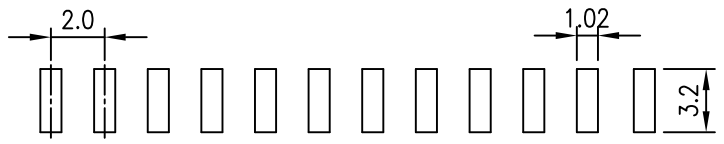
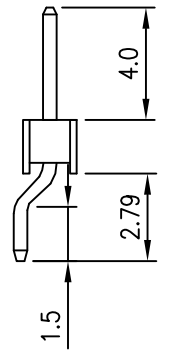
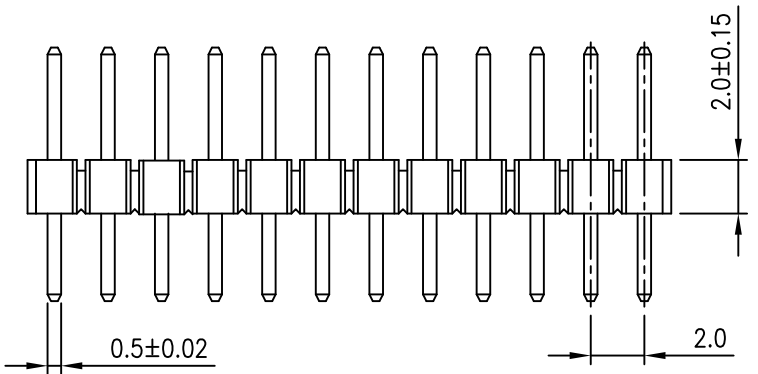
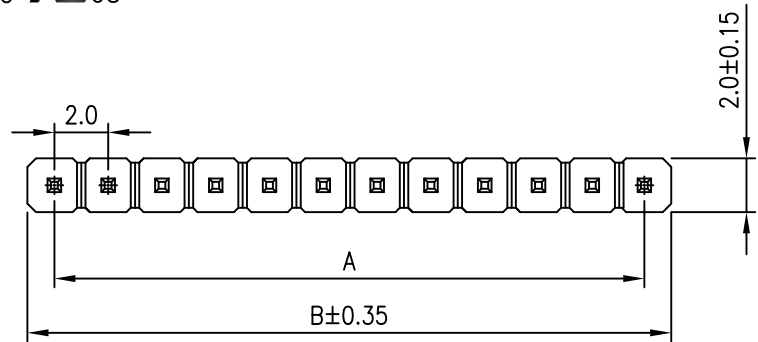
TOLERANCE		Young Yak Enterprise Co., Ltd.		
X.	--	TITLE 2.0mm(.079") Pitch Wire to Board Header		
X.X	±0.25			
X.XX	±0.15			
X.XXX	±0.05			
ANGULAR	--			
APPROVALS				
DRAWN	Frank 19-September-2009	VIEW	SCALE	PART NO.
CHECKED	Denise 19-September-2009		F	YY-1850-S**SG
APPROVED	Jessica 19-September-2009	UNIT	SIZE	DWG NO.
		MM	A4	YY-1850-S**SG-153
				REV.
				A0
				SHEET
				1 OF 1





C **YI** US E182481

REV	DESCRIPTION	DATE



P.C.B. LAYOUT

Circuits	Dimension mm		
	A	B	
1X2	2.00	4.00	
A: 2.0 X (PART NO. OF PIN-1)			
B: 2.0 X (PART NO. OF PIN)			
1X40	78.00	80.00	

NOTES

Available in 02 through 40 Circuits
 Material: Nylon 6T UL94-V0
 Mates with 2.0mm(.079") Series Housing
 0.50mm(.020") Square Pin
 Pin Material: Brass/Gold-Plated or Tin-Plated

ORDERING INFORMATION

YY-1850 - S ** R *
 1 2 3 4

- 1. SMT
- 2. No. of Circuits 02~40
- 3. R : Right Angle
- 4. Plated
- T : Tin
- G : Gold



TOLERANCE					
X.	--	TITLE 2.0mm(.079") Pitch Wire to Board Header			
X.X	±0.20				
X.XX	±0.15				
X.XXX	±0.05				
ANGULAR	--				
APPROVALS					
DRAWN	Frank	VIEW	SCALE	PART NO.	REV.
	19-September-2009		F	YY-1850-S**R*	A0
CHECKED	Denise	UNIT	SIZE	DWG NO.	SHEET
	19-September-2009	MM	A4	YY-1850-S**R*-153	1 OF 1
APPROVED	Jessica				
	19-September-2009				