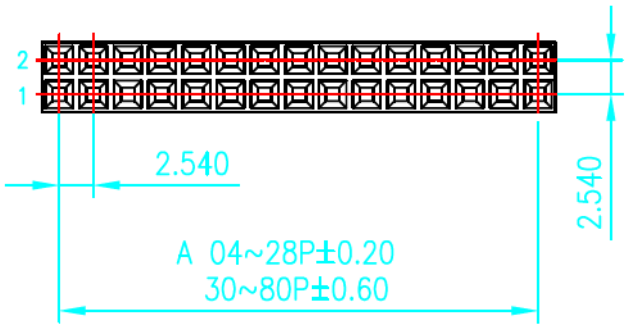


YK E182481

RoHS compliant

REV	DESCRIPTION	DATE



Color List

<input type="checkbox"/> : Nature	F : Green
A : Black	G : Blue
B : Brown	H : Purple
C : Red	I : Gray
D : Orange	J : White
E : Yellow	K : Pink

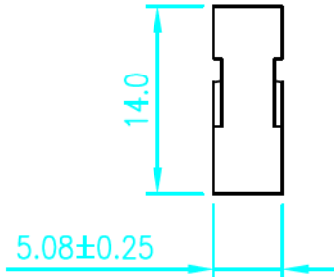
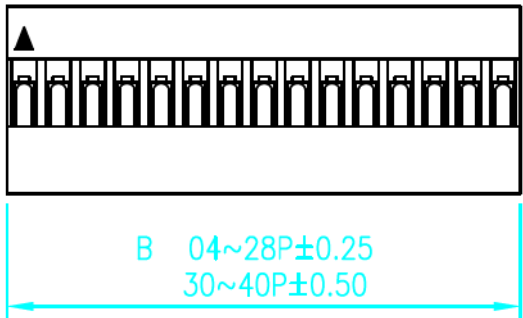
Features:

- \* Available in 2X2 through 2X14 Circuits  
Material: P.B.T+15%GF UL94V-0  
Nylon 66 UL94V-0  
Packing: PE BAG
- \* Available in 2X15 through 2X40 Circuits  
Material: Nylon 66 UL94V-0  
Packing: BOX
- \* Accepts YY-1800-TF or YY-1900-T or YY-1800-TM Crimp Terminal
- \* Mates with YY-1900-WXXS or YY-1900-WXXR Series Header

Ordering information:

YY-1900-H XX X -X -X  
                  1 2 3 4 5

- H=Housing
- No. of Circuits 04~80
- Material / Packing :  
 -PBT / PE BAG  
N -Nylon 66 / PE BAG (04~28PIN)  
N -Nylon 66 / BOX (30~80PIN)
- Stopper Pin No :  
 : Non Stopper  
FXXP: Tuck XX Pin
- Color : See List



Circuits	Dimension mm	
	A	B
2X2	2.54	5.08
A: 2.54 X (PART NO. OF PIN/2-1) B: 2.54 + A		
2X40	99.06	101.60

TOLERANCE	
X.	—
X.X	±0.20
X.XX	±0.15
X.XXX	±0.05
ANGULAR	—
APPROVALS	
DRAWN	Terry 25-NOV-2011
CHECKED	Gang
APPROVED	Song

Young Yak Enterprise Co., Ltd.

TITLE  
2.54mm (.100") Pitch Housing

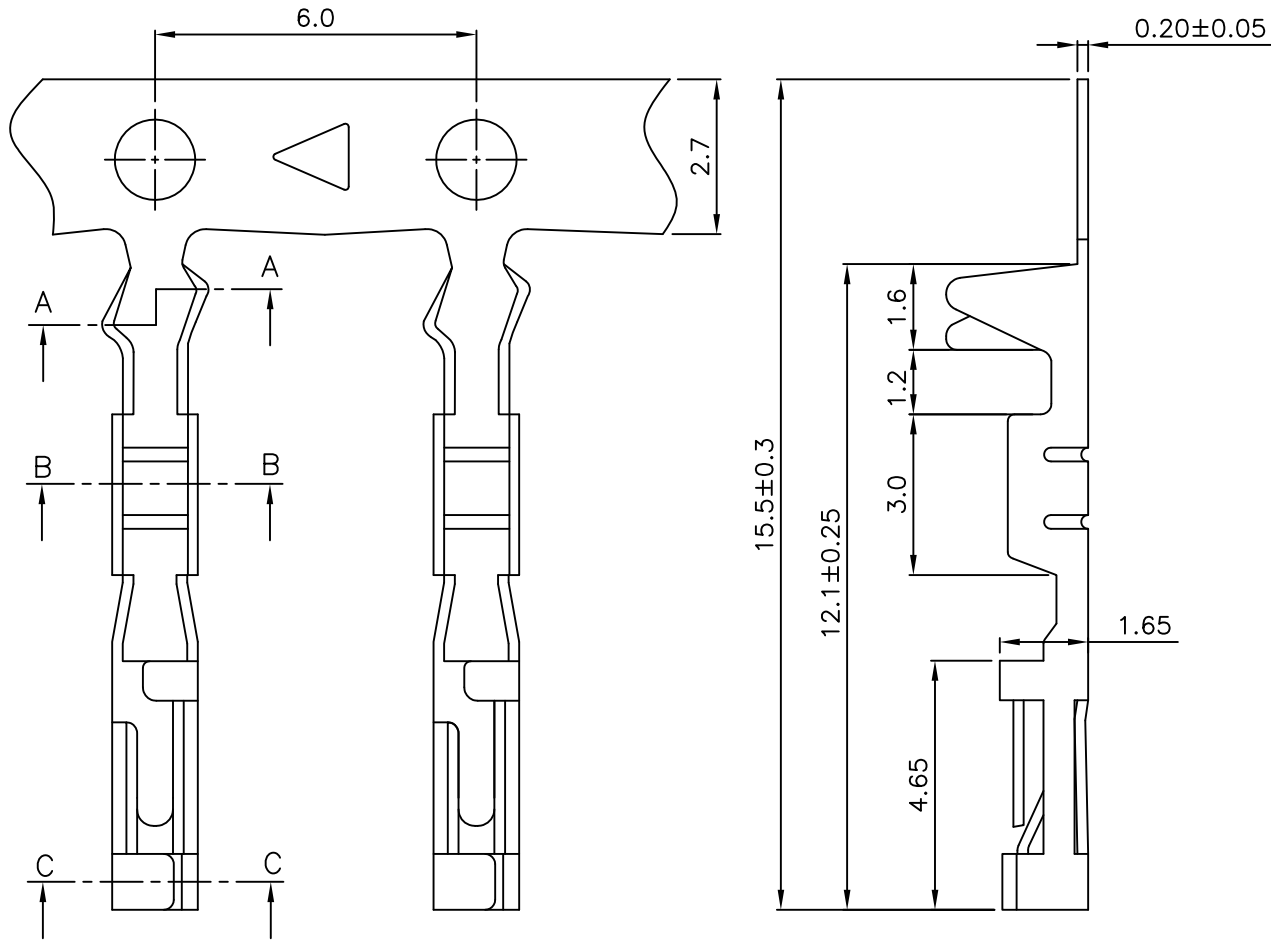
VIEW	SCALE	PART NO.	REV.
	F	YY-1900-HXXX-X-X	AO
UNIT	SIZE	DWG NO.	SHEET
mm	A4	P-1900-H-001	1 OF 1





C **YI** US E182481

REV	DESCRIPTION	DATE
A1	EN980703-2	2009.07.03



**NOTES**

Used in YY-1800-H & YY-1900-H  
& YY-1920-H Series Housing  
(20~80 Pin are available)  
Accepts AWG #22~28 Wire Range  
Insulation O.D.= 1.70mm(max)  
Material : Brass & Phosphor Bronze  
Finished : Gold-Plated  
Qty/Reel : 10,000 PCS  
Thickness: 0.2mm

**ORDERING INFORMATION**

**YY-1900 - T F GB \***  
**1 2 3 4**

1. T : Terminal
2. F : Female
3. Plated  
GB : Gold-Plated
4. Material  
□ : Brass  
P : Phosphor bronze

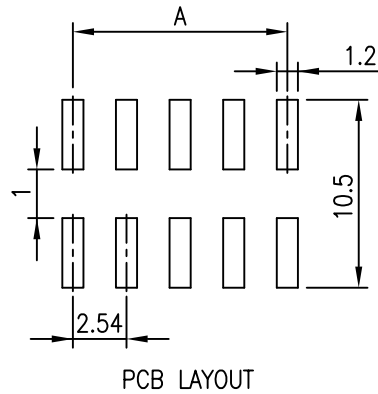
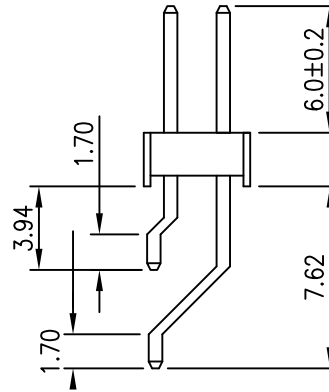
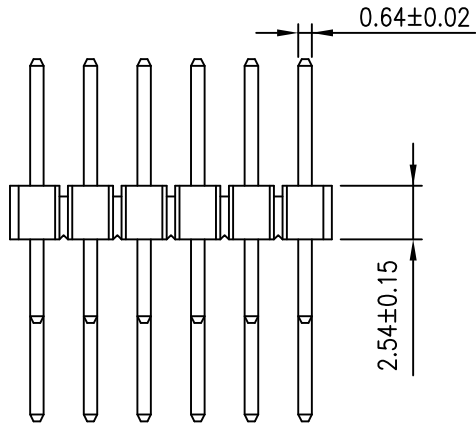
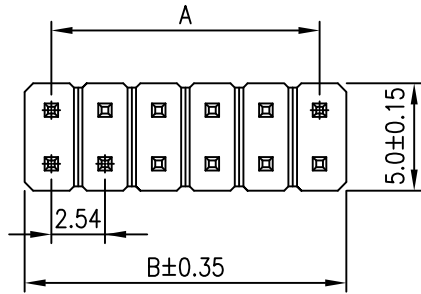


TOLERANCE					
X.	--	<b>Young Yak Enterprise Co.,Ltd.</b> TITLE: 2.54mm (.100") Pitch Wire to Board Terminal			
X.X	±0.20				
X.XX	±0.10				
X.XXX	±0.05				
ANGULAR	--				
APPROVALS					
DRAWN	Frank	VIEW	SCALE	PART NO.	REV.
	03-JULY-2009		F	YY-1900-TFGB*	A1
CHECKED	Denise	UNIT	SIZE	DWG NO.	SHEET
	03-JULY-2009	MM	A4	YY-1900-TFGB*-014	1 OF 1
APPROVED	Jessica				
	03-JULY-2009				



C US E182481

REV	DESCRIPTION	DATE



Circuits	Dimension mm	
	A	B
2X2	2.54	5.08
A: 2.54 X (PART NO. OF PIN/2-1)		
B: 2.54 X (PART NO. OF PIN/2)		
2X40	99.06	101.60

**NOTES**

Available in 2\*02 through 2\*40 Circuits  
 Material: Nylon 6T UL94-V0  
 Mates with YY-1900-H Series Housing  
 0.64mm(.025") Square Pin  
 Pin Material: Brass/Gold-Plated

**ORDERING INFORMATION**

**YY-1900 - S \*\* R G**  
1 2 3 4

1. S : SMT
2. No. of Circuits 04~80
3. R : Right angle
4. Plated  
G : Gold

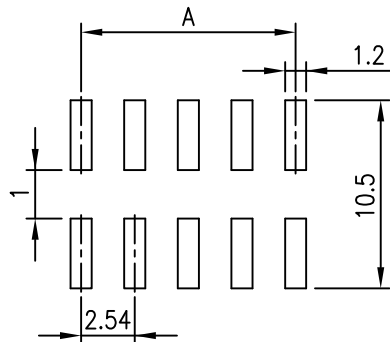
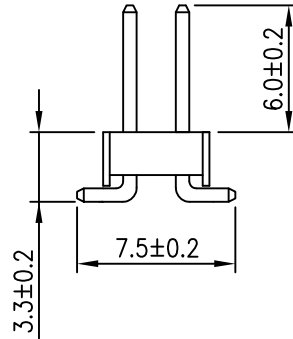
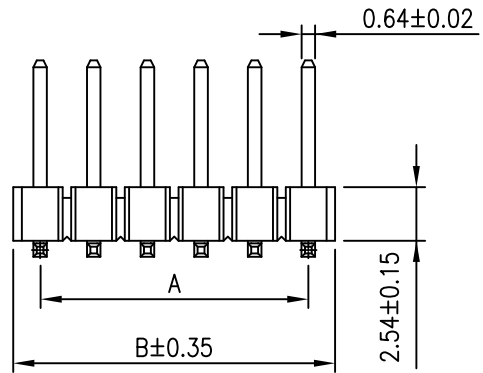
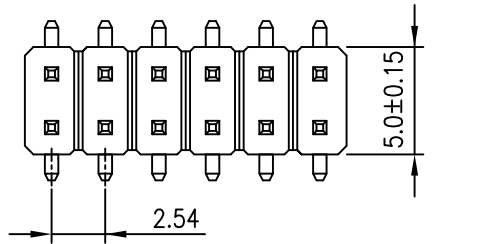


TOLERANCE					
X.	--	<b>Young Yak Enterprise Co., Ltd.</b> TITLE 2.54mm(.100") Pitch Wire to Board Header			
X.X	±0.25				
X.XX	±0.15				
X.XXX	±0.05				
ANGULAR	--				
APPROVALS					
DRAWN	Frank	VIEW	SCALE	PART NO.	REV.
	19-September-2009		F	YY-1900-S**RG	A0
CHECKED	Denise	UNIT	SIZE	DWG NO.	SHEET
	19-September-2009	MM	A4	YY-1900-S**RG-153	1 OF 1
APPROVED	Jessica				
	19-September-2009				



C **YI** US E182481

REV	DESCRIPTION	DATE



PCB LAYOUT

Circuits	Dimension mm	
	A	B
2X2	2.54	5.08
A: 2.54 X (PART NO. OF PIN/2-1)		
B: 2.54 X (PART NO. OF PIN/2)		
2X40	99.06	101.60

**NOTES**

Available in 2\*02 through 2\*40 Circuits  
 Material: Nylon 6T UL94-V0  
 Mates with YY-1900-H Series Housing  
 0.64mm(.025") Square Pin  
 Pin Material: Brass/Gold-Plated

**ORDERING INFORMATION**

YY-1900 - S \*\* S G  
                   1 2 3 4

1. S : SMT
2. No. of Circuits 04~80
3. S : Straight
4. Plated  
     G : Gold



TOLERANCE				
X.	--	<b>Young Yak Enterprise Co., Ltd.</b> TITLE: 2.54mm(.100") Pitch Wire to Board Header		
X.X	±0.25			
X.XX	±0.15			
X.XXX	±0.05			
ANGULAR	--			
APPROVALS				
DRAWN	Frank	VIEW	SCALE	PART NO.
19-September-2009			F	YY-1900-S**SG
CHECKED	Denise	UNIT	SIZE	DWG NO.
19-September-2009		MM	A4	YY-1900-S**SG-153
APPROVED	Jessica	REV.		
19-September-2009		A0		
		SHEET		
		1 OF 1		



