



C **YI** US E182481

REV	DESCRIPTION	DATE
A1	EN970613-1	2008/6/13

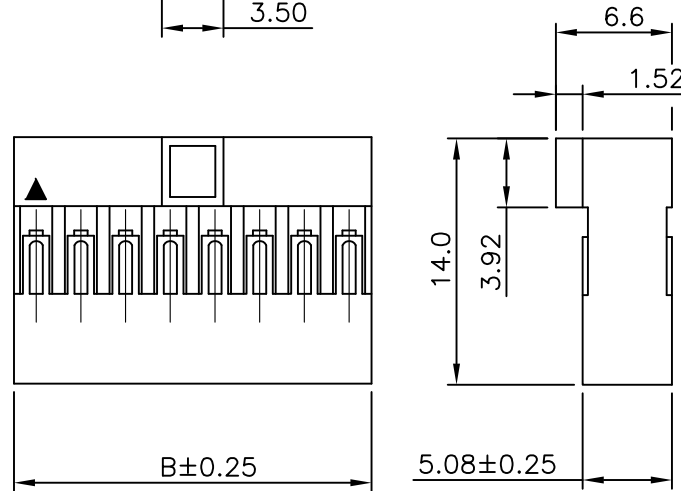
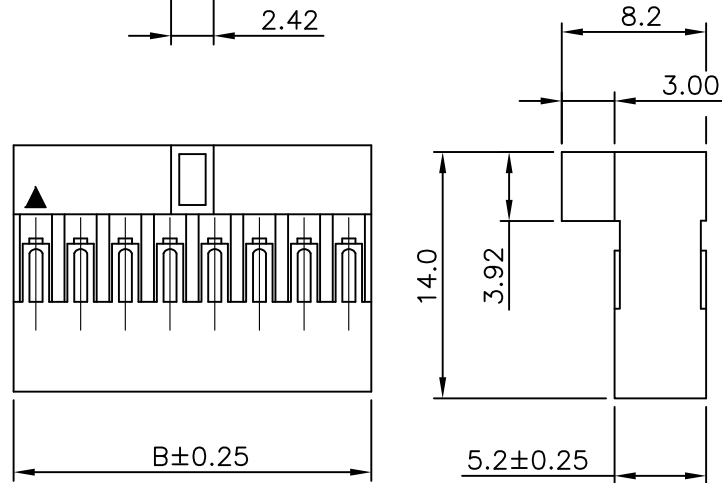
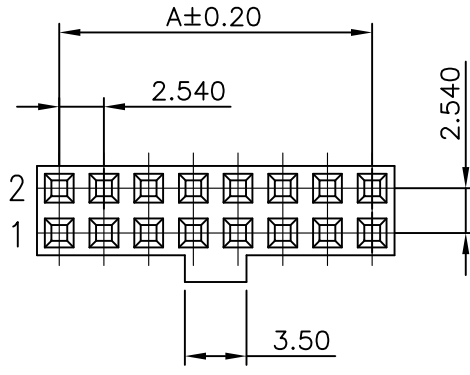
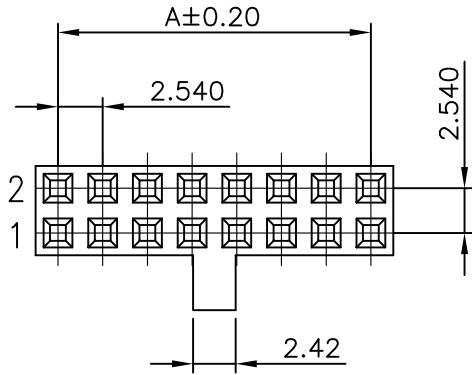
**NOTES**

- \* Available in 2X3 through 2X14 Circuits  
Material: P.B.T+15%GF UL94-V0  
Nylon 66 UL94-V0  
Packing: PE BAG
- △\* Available in 2X15 through 2X40 Circuits  
Material: Nylon 66 UL94-V0  
Packing: BOX
- \* Accepts YY-1800-TF or YY-1900-T or YY-1800-TM Crimp Terminal
- \* Mates with YY-1900-W\*\*S or YY-1900-W\*\*R Series Header

**ORDERING INFORMATION**

YY-1920 -  $\frac{H}{1} \frac{**}{2} \frac{**}{3} \frac{**}{4} - \frac{*}{5} - \frac{*}{6}$

1. H : Housing
2. No. of Circuits 06~80
3. Housing Type :  : Low Polarize  
L : High Polarize
- △ 4. Material / Packing :  : PBT / PE BAG  
N : Nylon 66 / PE BAG (06~28PIN)  
N : Nylon 66 / BOX (30~80PIN)
5. Stopper Pin No :  : Non Stopper  
FXXP: Tuck XX Pin
6. Color : See List



YY-1920-H\*\*L\*

YY-1920-H\*\*\*

**Color List**

<input type="checkbox"/> : Black	G : Blue
B : Brown	H : Purple
C : Red	I : Gray
D : Orange	J : White
E : Yellow	K : Pink
F : Green	--

Circuits	Dimension mm	
	A	B
2X3	5.08	7.62
2X4	7.62	10.16
A: 2.54 X (PART NO. OF PIN/2-1)		
B: 2.54 + A		
2X40	99.06	101.60

TOLERANCE	
X.	--
X.X	±0.20
X.XX	±0.15
X.XXX	±0.05
ANGULAR	--
APPROVALS	
DRAWN	Frank 19-September-2009
CHECKED	Denise 19-September-2009
APPROVED	Jessica 19-September-2009



**Young Yak Enterprise Co., Ltd.**

TITLE

2.54 mm (.100") Pitch Housing

VIEW	SCALE	PART NO.	REV.
	F	YY-1920-H****-***	A1
UNIT	SIZE	DWG NO.	SHEET
MM	A4	YY-1920-H****-***-014	1 OF 1

