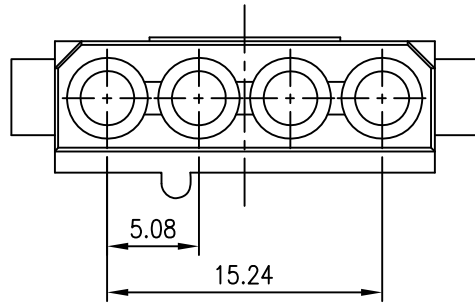




C **YI** US E182481

REV	DESCRIPTION	DATE
A1	EN011227-1	2012.12.27



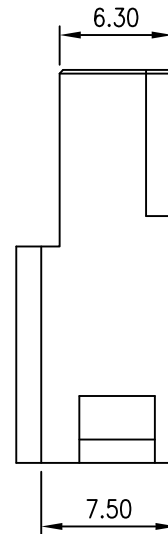
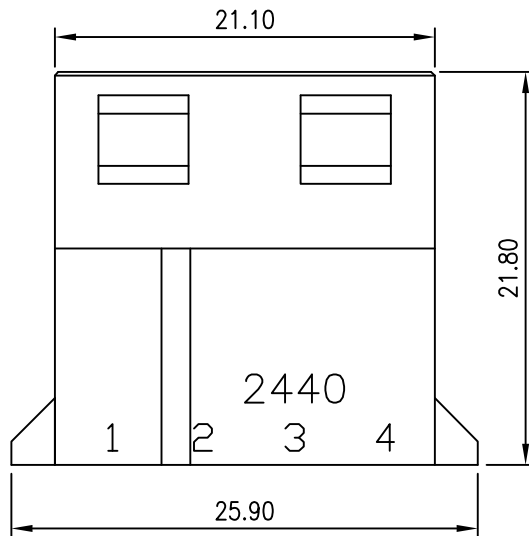
### NOTES

Available in 04 Circuits  
 Material: Nylon 66 UL94-V2  
 Accepts YY-3100-T Crimp Terminal  
 Mates with YY-3200M-H04 Series Housing  
 YY-3100-W04S or YY-3100-W04R Series Header  
 Color: Nature

### ORDERING INFORMATION

**YY-3100F - H 04**  
 $\frac{1}{2}$

1. H : Housing
2. No. of Circuits 04



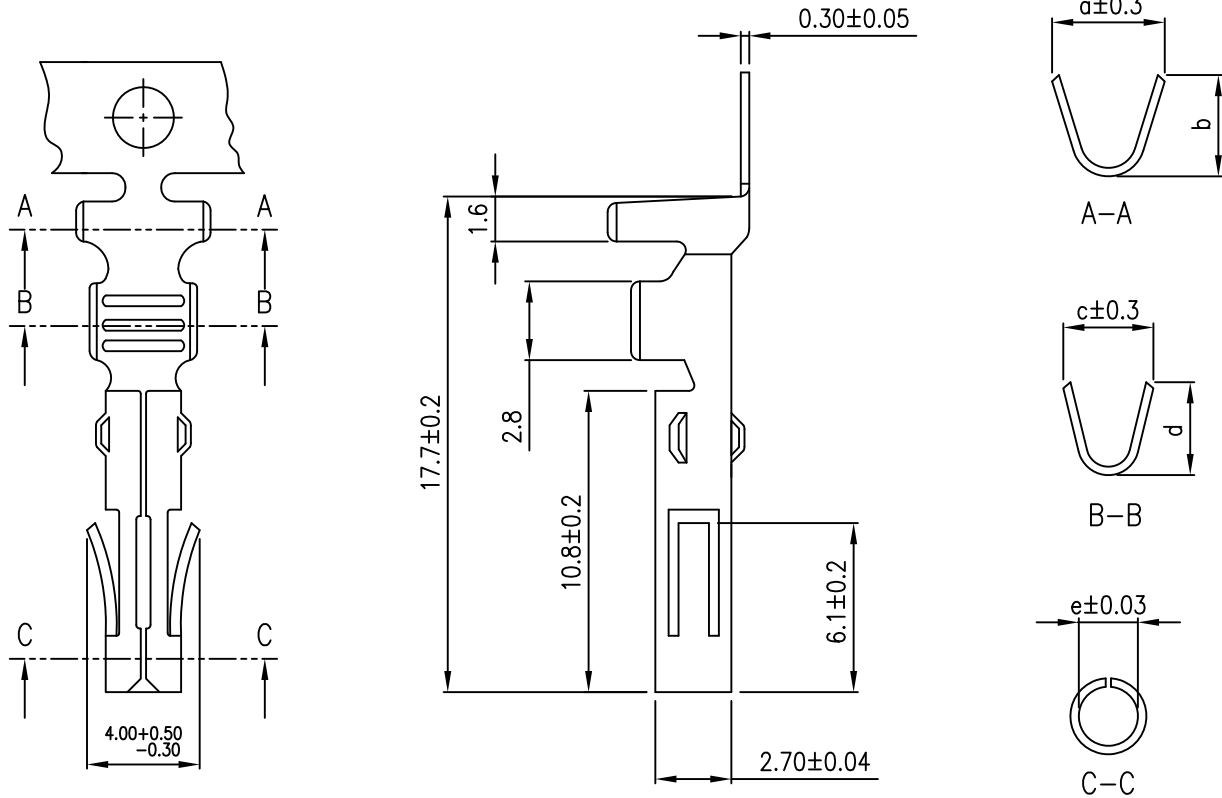
TOLERANCE					
X.	--	TITLE 5.08(.200") Pitch Wire to Wire Housing			
X.X	±0.50				
X.XX	±0.30				
X.XXX	--				
ANGULAR	--				
APPROVALS					
DRAWN	Frank	VIEW	SCALE	PART NO.	REV.
	27-December-2012		F	YY-3100F-H04	A1
CHECKED	Kang	UNIT	SIZE	DWG NO.	SHEET
	27-December-2012	MM	A4	YY-3100F-H04-043	1 OF 1
APPROVED	Denise				
	27-December-2012				





C **YI** US E182481

REV	DESCRIPTION	DATE



**NOTES**

Used in YY-3100F-H Series Housing  
 Material : Brass & Phosphor Bronze  
 Finish : Tin-Plated  
 Thickness: 0.30mm

**ORDERING INFORMATION**

YY-3100 - T TA \* \*  
 1 2 3 4

1. T : Terminal
2. TA : Tin , Pre-tinned
3. Material  
 □ : BRASS  
 P : Phosphor bronze
4. L : AWG16~18  
 S : AWG18~20

TYPE	Wire Range	Wire Range						Insulation O.D.(mm)	Qty/reel
		a	b	c	d	e			
						Brass	Phos.Bronze		
L	AWG #16~18	4.0	3.6	3.2	3.3	2.00	2.02	2.8~3.1	7,000PCS
S	AWG #18~20	3.8	3.3	2.3	2.3	2.00	2.02	2.55~2.8	7,000PCS

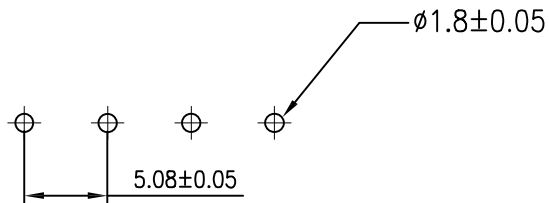
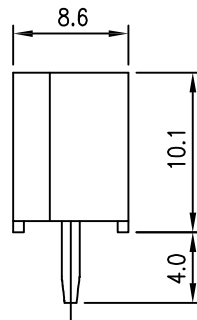
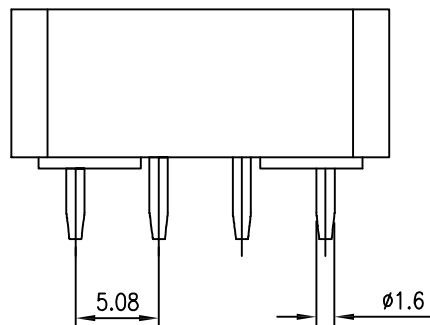
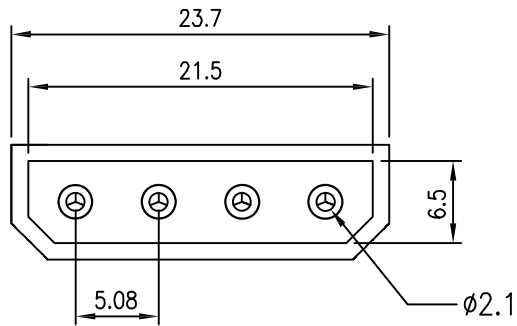
TOLERANCE		Young Yak Enterprise Co., Ltd.			
X.	--	TITLE 5.08mm(.200") Pitch Wire to Wire Terminal			
X.X	±0.25				
X.XX	±0.13				
X.XXX	±0.08				
ANGULAR	--				
APPROVALS					
DRAWN	Frank	VIEW	SCALE	PART NO.	REV.
	23-September-2009		F	YY-3100-TTA**	A0
CHECKED	Denise	UNIT	SIZE	DWG NO.	SHEET
	23-September-2009	MM	A4	YY-3100-TTA**-012	1 OF 1
APPROVED	Jessica				
	23-September-2009				





C **UL** US E182481

REV	DESCRIPTION	DATE



RECOMMENDED PCB LAYOUT

### NOTES

Material: Nylon 66 UL94-V2  
 Mates with YY-3300-H04 or YY-3100F-H04 crimp Housing  
 Pin Material: Brass/Tin-Plated

### ORDERING INFORMATION

YY-3100 - W 04 S T F N - \*  
                   1 2 3 4 5

- No. of Circuits 04
- S : Straight
- Plated  
T : Tin
- F : Flat
- Color  
□ : Nature  
A : Black

TOLERANCE	
X.	--
X.X	$\pm 0.30$
X.XX	$\pm 0.25$
X.XXX	$\pm 0.15$
ANGULAR	--



**Young Yak Enterprise Co., Ltd.**

TITLE  
5.08mm(.200") Pitch  
Wire to Board Header

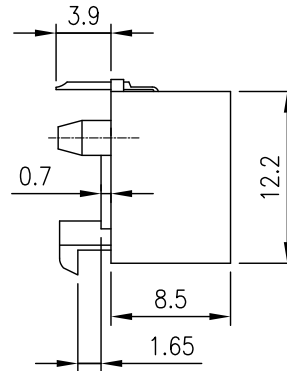
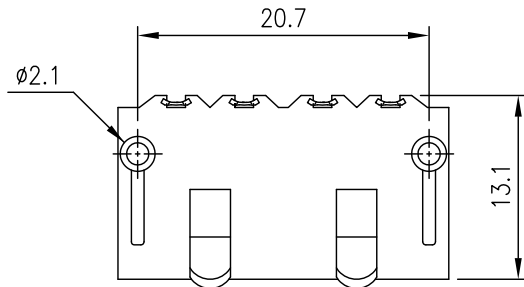
APPROVALS		VIEW	SCALE	PART NO.	REV.
DRAWN	Kang		F	YY-3100-W04STFN-*	A1
CHECKED	Denise				
APPROVED	Jessica	UNIT	SIZE	DWG NO.	SHEET
		MM	A4	YY-3100-W04STFN-* -043	1 OF 1





C **YI** US E182481

REV	DESCRIPTION	DATE
A3	EN980506-1	2009.05.06
A4	EN980604-2	2009.06.04



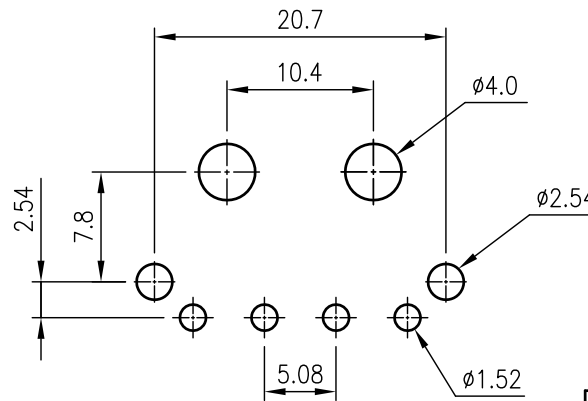
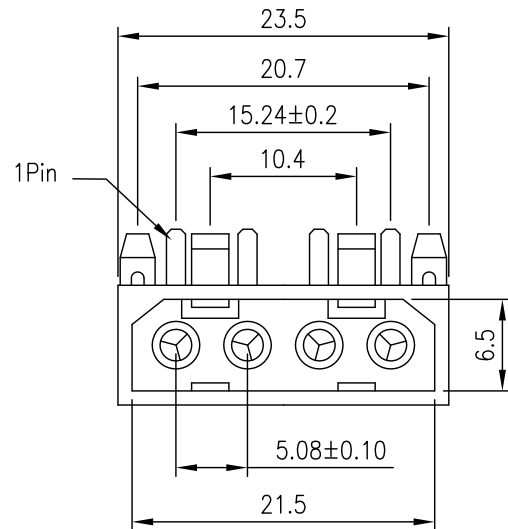
### NOTES

Material: Nylon 66 UL94-V2  
 Mates with YY-3300-H04 or YY-3100-H04 crimp Housing  
 Contact Material: Brass/Tin-Plated  
 Two P.C tail lengths  
 P.C.B Thickness 1.6mm

### ORDERING INFORMATION

YY-3100 - W 04 R T \* - \*  
                   1 2 3 4 5

- No. of Circuits 04
- R : Right Angle
- Plated  
T : Tin  
N : Without Mark
- : With Mark  
N : Without Mark
- : Nature  
A : Black Color



P.C.B LAYOUT



TOLERANCE	
X.	--
X.X	±0.25
X.XX	±0.15
X.XXX	±0.05
ANGULAR	--



**Young Yak Enterprise Co., Ltd.**

TITLE  
5.08mm(.200") Pitch  
Wire to Board Header

APPROVALS		VIEW	SCALE	PART NO.	REV.
DRAWN	Frank		F	YY-3100-W04RT*-*	A4
CHECKED	Denise				
APPROVED	Jessica	UNIT	SIZE	DWG NO.	SHEET
		MM	A4	YY-3100-W04RT*-*-014	1 OF 1