

RECOMMENDED PANEL CUT-OUT

PANEL MOUNT VERSION IS FOR USE WITH 0.80/2.00 THICK PANELS.
PANEL SHOULD BE PUNCHED IN THE DIRECTION OF CONNECTOR INSERTION.

Circuits	DIM A	DIM B	DIM C	DIM D
2	4.2	9.6	10.0	15.0
3	8.4	13.8	14.2	19.2
4	12.6	18.0	18.4	23.4
5	16.8	22.2	22.6	27.6
6	21.0	26.4	26.8	31.8
7	25.2	30.6	31.0	36.0

Circuits	DIM A	DIM B	DIM C	DIM D
8	29.4	34.8	35.2	40.2
9	33.6	39.0	39.4	44.4
10	37.8	43.2	43.6	48.6
11	42.0	47.4	47.8	52.8
12	46.2	51.6	52.0	57.0
--	--	--	--	--

REV	DESCRIPTION	DATE
A1	EN001107-1	2011.11.10
A2	EN010903-1	2012.09.03

NOTES

Compliant with IEC 60335-1 & IEC 60695-2-11
End-Product GWT750°C No Flame
Body: Nylon 66 UL 94-V2
Available in 02 ~ 12 Circuits
Mates with : YY-5700-H**-GT Single Row Connectors
Use with : YY-5800-T Terminals
Packing : Bag

ORDERING INFORMATION

YY - 5800 - H** AS - GT - ***
 1 2 3

1. No. of Circuits : 02 ~ 12

2. Housing Type

AS : Single Row / With ear

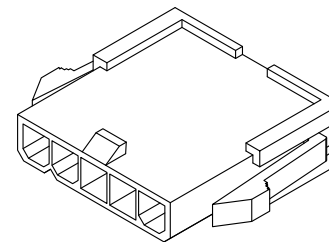
3. Housing Color

□ : Nature

116 : RAL(1016) Sulphur yellow

314 : RAL(3014) Antique pink

512 : RAL(5012) Light blue



Young Yak
2012.09.24
ISSUED

TOLERANCE	
X.	--
X.X	±0.38
X.XX	±0.25
X.XXX	±0.10
ANGULAR	±1°
APPROVALS	
DRAWN	Cherry
	03-September-2012
CHECKED	Kang
	03-September-2012
APPROVED	Denise
	03-September-2012

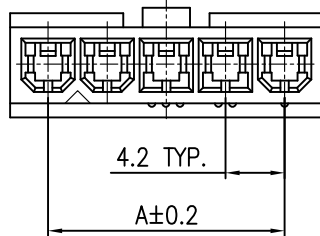
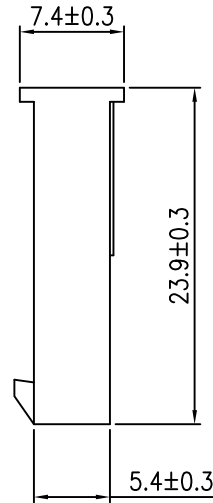
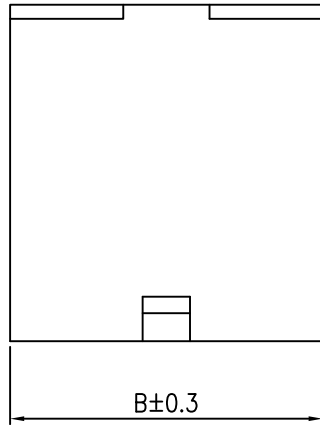
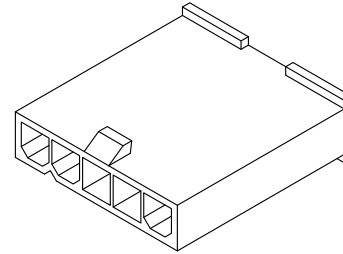
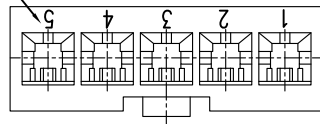


Young Yak Enterprise Co., Ltd.

TITLE			
4.20mm(.165") Pitch PLUG. SINGLE ROW			
VIEW	SCALE	PART NO.	REV.
	2:1	YY-5800-H**AS*-GT-***	A2
UNIT	SIZE	DWG NO.	SHEET
MM	A4	YY-5800-H**AS*-GT-014	1 OF 1



CIRCUIT NO.



Circuits	DIM A	DIM B	Circuits	DIM A	DIM B
2	4.2	9.6	8	29.4	34.8
3	8.4	13.8	9	33.6	39.0
4	12.6	18.0	10	37.8	43.2
5	16.8	22.2	11	42.0	47.4
6	21.0	26.4	12	46.2	51.6
7	25.2	30.6	--	--	--

REV	DESCRIPTION	DATE
A1	EN001107-1	2011.11.10
A2	EN010903-1	2012.09.03

NOTES

Compliant with IEC 60335-1 & IEC 60695-2-11
 End-Product GWT750°C No Flame
 Body: Nylon 66 UL 94-V2
 Available in 02 ~ 12 Circuits
 Mates with : YY-5700-H**-GT Single Row Connectors
 Use with : YY-5800-T Terminals
 Packing : Bag

ORDERING INFORMATION

YY - 5800 - H ASF - GT - *****
 1 2 3

- No. of Circuits : 02 ~ 12
- Housing Type
ASF : Single Row / Without ear
- Housing Color
 : Nature
 116 : RAL(1016) Sulphur yellow
 314 : RAL(3014) Antique pink
 512 : RAL(5012) Light blue

TOLERANCE	
X.	--
X.X	±0.38
X.XX	±0.25
X.XXX	±0.10
ANGULAR	±1°
APPROVALS	
DRAWN	Cherry
	03-September-2012
CHECKED	Kang
	03-September-2012
APPROVED	Denise
	03-September-2012



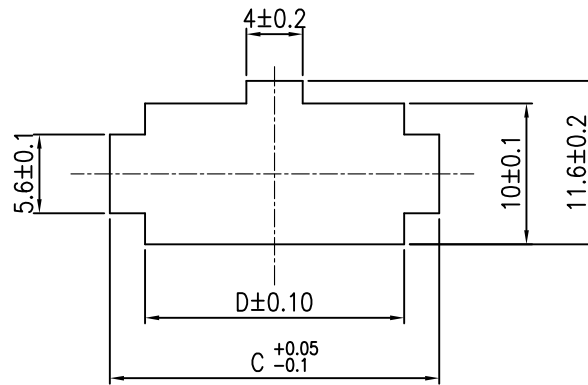
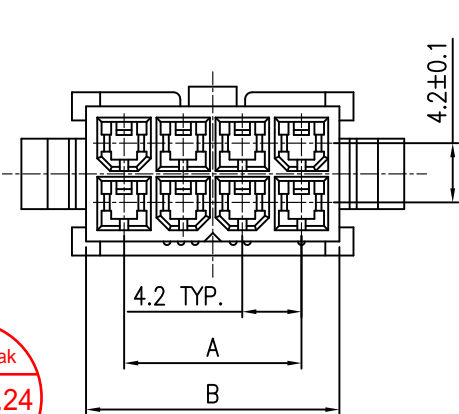
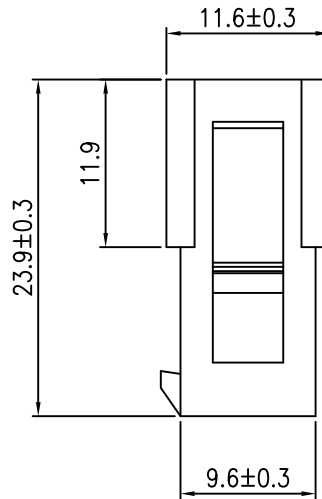
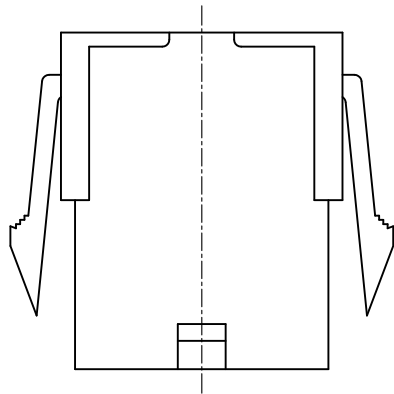
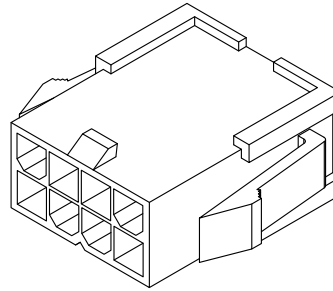
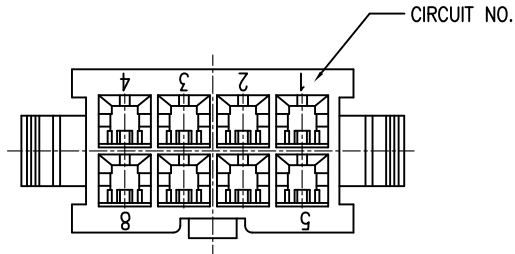
Young Yak Enterprise Co., Ltd.

TITLE			
4.20mm(.165") Pitch PLUG. SINGLE ROW			
VIEW	SCALE	PART NO.	REV.
	2:1	YY-5800-H**ASF-GT-***	A2
UNIT	SIZE	DWG NO.	SHEET
MM	A4	YY-5800-H**ASF-GT-014	1 OF 1





US E182481



RECOMMENDED PANEL CUT-OUT

PANEL MOUNT VERSION IS FOR USE WITH 0.80/2.00 THICK PANELS.
PANEL SHOULD BE PUNCHED IN THE DIRECTION OF CONNECTOR INSERTION.

REV	DESCRIPTION	DATE
A1	EN010903-1	2012.09.03

NOTES

Compliant with IEC 60335-1 & IEC 60695-2-11
End-Product GWT750°C No Flame

Body: Nylon 66 UL 94-V2

Available in 02 ~ 24 Circuits

Mates with : YY-5700-H**-GT Dual Row Connectors

Use with : YY-5800-T Terminals

Packing : Bag

ORDERING INFORMATION

YY - 5800 - H** AD - GT - ***
 1 2 3

1. No. of Circuits : 02 ~ 24

2. Housing Type

AD : Dual Row / With ear

3. Housing Color

: Nature

116 : RAL(1016) Sulphur yellow

314 : RAL(3014) Antique pink

512 : RAL(5012) Light blue

CIRCUIT NO.	A	B	C	D	CIRCUIT NO.	A	B	C	D
2	--	5.4±0.2	10.8	5.8	14	25.2±0.3	30.6±0.3	36	31.1
4	4.2±0.2	9.6±0.2	15	10	16	29.4±0.3	34.8±0.3	40.2	35.3
6	8.4±0.2	13.8±0.2	19.2	14.2	18	33.6±0.4	39.0±0.4	44.4	39.5
8	12.6±0.2	18.0±0.2	23.4	18.4	20	37.8±0.4	43.2±0.4	48.6	43.7
10	16.8±0.3	22.2±0.3	27.6	22.6	22	42.0±0.4	47.4±0.4	52.8	47.9
12	21.0±0.3	26.4±0.3	31.8	26.8	24	46.2±0.4	51.6±0.4	57.0	52.1

TOLERANCE

X.	--
X.X	±0.38
X.XX	±0.25
X.XXX	±0.10
ANGULAR	±1°



Young Yak Enterprise Co., Ltd.

TITLE

4.20mm(.165") Pitch
PLUG. DUAL ROW

APPROVALS

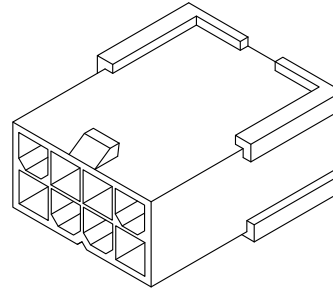
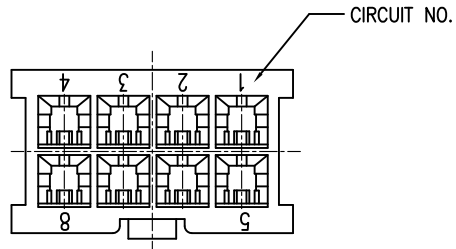
DRAWN	VIEW	SCALE	PART NO.	REV.
Cherry 03-September-2012		2:1	YY-5800-H**AD-GT-***	A1
CHECKED	UNIT	SIZE	DWG NO.	SHEET
Kang 03-September-2012	MM	A4	YY-5800-H**AD-GT-014	1 OF 1
APPROVED				
Denise 03-September-2012				





C US E182481

REV	DESCRIPTION	DATE
A1	EN010903-1	2012.09.03



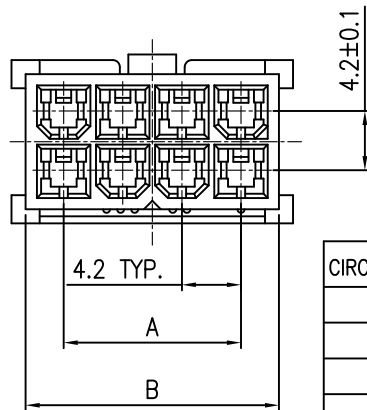
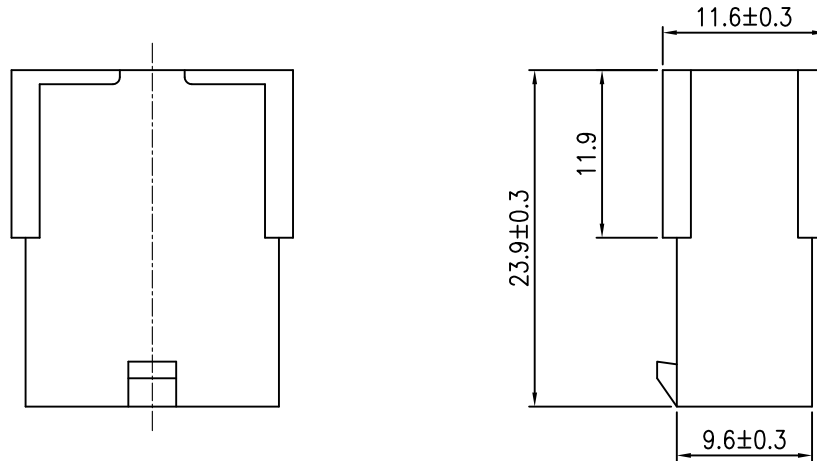
NOTES

Compliant with IEC 60335-1 & IEC 60695-2-11
 End-Product GWT750°C No Flame
 Body: Nylon 66 UL 94-V2
 Available in 02 ~ 24 Circuits
 Mates with : YY-5700-H**GT Dual Row Connectors
 Use with : YY-5800-T Terminals
 Packing : Bag

ORDERING INFORMATION

YY - 5800 - H** ADF - GT - ***
 1 2 3

- No. of Circuits : 02 ~ 24
- Housing Type
ADF : Dual Row / Without ear
- Housing Color
 : Nature
 116 : RAL(1016) Sulphur yellow
 314 : RAL(3014) Antique pink
 512 : RAL(5012) Light blue



CIRCUIT NO.	A	B	CIRCUIT NO.	A	B
2	--	5.4±0.2	14	25.2±0.3	30.6±0.3
4	4.2±0.2	9.6±0.2	16	29.4±0.3	34.8±0.3
6	8.4±0.2	13.8±0.2	18	33.6±0.4	39.0±0.4
8	12.6±0.2	18.0±0.2	20	37.8±0.4	43.2±0.4
10	16.8±0.3	22.2±0.3	22	42.0±0.4	47.4±0.4
12	21.0±0.3	26.4±0.3	24	46.2±0.4	51.6±0.4

TOLERANCE	
X.	--
X.X	±0.38
X.XX	±0.25
X.XXX	±0.10
ANGULAR	±1°



Young Yak Enterprise Co., Ltd.

TITLE			
4.20mm(.165") Pitch PLUG. DUAL ROW			
DRAWN	SCALE	PART NO.	REV.
Cherry 03-September-2012	2:1	YY-5800-H**ADF-GT-***	A1
CHECKED	UNIT	DWG NO.	SHEET
Kang 03-September-2012	MM	YY-5800-H**ADF-GT-014	1 OF 1
APPROVED	SIZE		
Denise 03-September-2012	A4		

