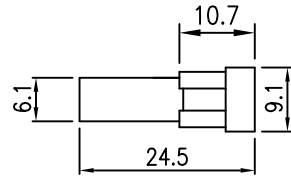


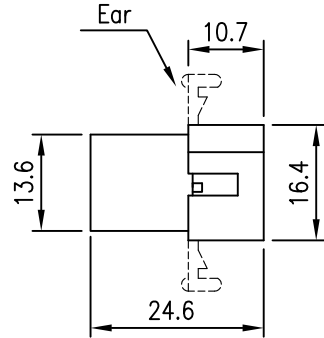


C US E182481

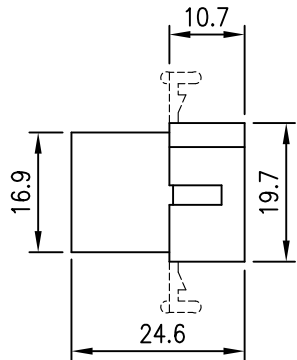
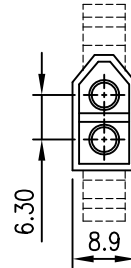
REV	DESCRIPTION	DATE



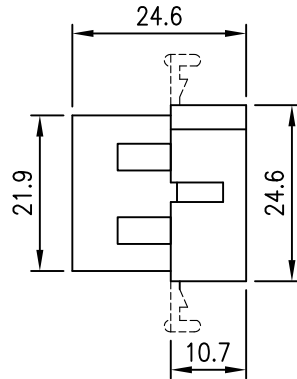
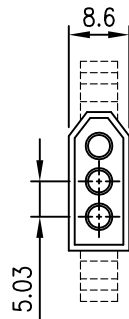
YY-3950-H01F1



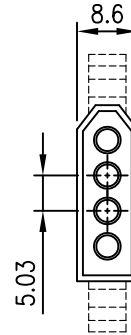
YY-3950-H02F(E)1



YY-3950-H03FE1



YY-3950-H04FE1



NOTES

Available in 01 through 15 Circuits
 Material: Nylon 66 UL94-V2
 Accepts YY-3950-TM crimp terminal
 Mates with YY-3950-HM1

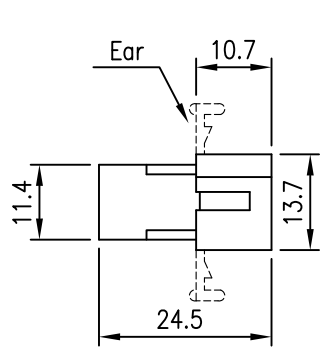
ORDERING INFORMATION

YY-3950 - H ** F * 1 *
 1 2 3 4 5 6

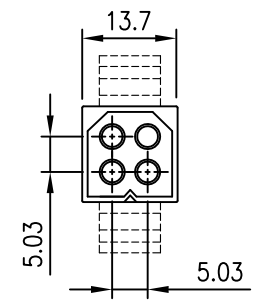
1. H : Housing
2. No. of Circuits 01~15
3. Housing Type
F : Female
4. □ : W/O Ear
E : W/EAR
5. 1 : 5.03mm Pitch
6. □ : Standard
A : 2x2



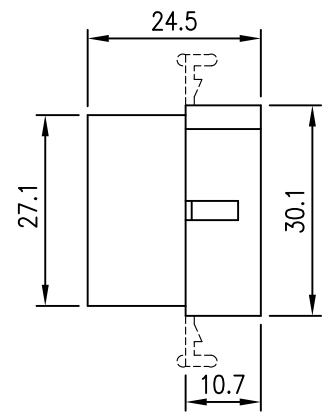
TOLERANCE		Young Yak Enterprise Co., Ltd.			
X.	--	TITLE 5.03mm(.198") Pitch Wire to Wire Female Housing			
X.X	±0.30				
X.XX	±0.10				
X.XXX	--				
ANGULAR	--				
APPROVALS					
DRAWN	Frank 19-September-2009	VIEW	SCALE	PART NO.	REV.
CHECKED	Denise 19-September-2009		1:1	YY-3950-H**F*1*	A0
APPROVED	Jessica 19-September-2009	UNIT	SIZE	DWG NO.	SHEET
		MM	A4	YY-3950-H**F*1*-128	1 OF 2



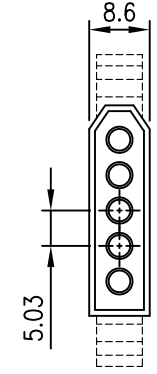
YY-3950-H04F1A



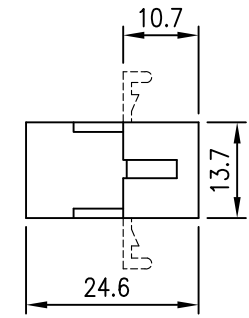
YY-3950-H05F(E)1



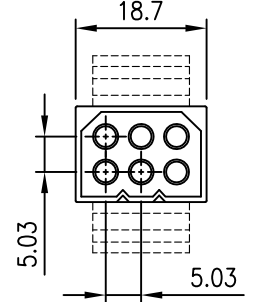
YY-3950-H06F(E)1



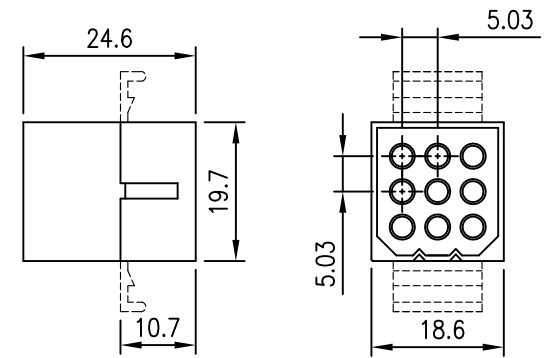
YY-3950-H09F(E)1



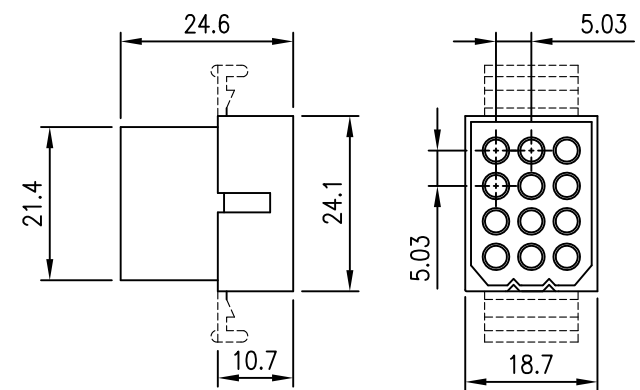
YY-3950-H12F(E)1



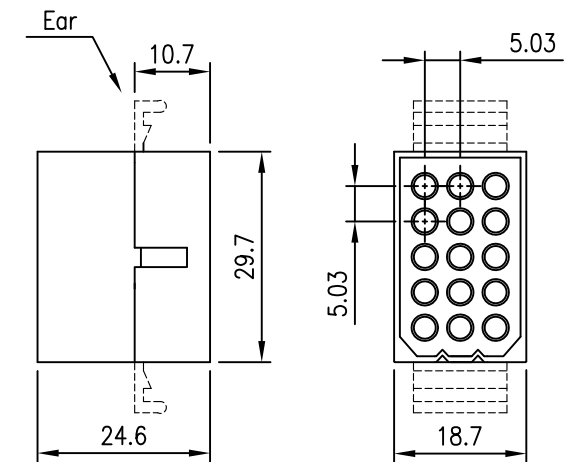
YY-3950-H15F(E)1




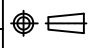
YY-3950-H04F1A



YY-3950-H05F(E)1



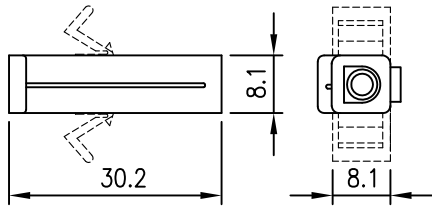
YY-3950-H06F(E)1

TOLERANCE		 Young Yak Enterprise Co., Ltd. TITLE 5.03mm(.198") Pitch Wire to Wire Female Housing			
X.	--				
X.X	±0.30				
X.XX	±0.10				
X.XXX	--				
ANGULAR		--			
APPROVALS					
DRAWN	Frank	VIEW	SCALE	PART NO.	REV.
	19-September-2009		1:1	YY-3950-H**F*1*	A0
CHECKED	Denise	UNIT	SIZE	DWG NO.	SHEET
	19-September-2009	MM	A4	YY-3950-H**F*1*-128	2 OF 2
APPROVED	Jessica				
	19-September-2009				

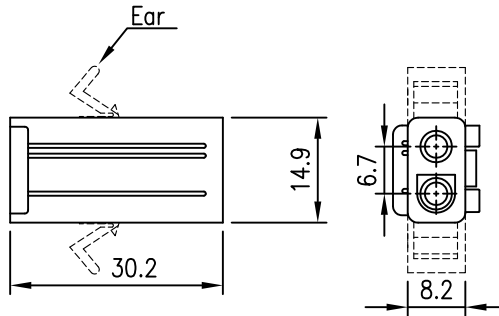


C **YI** US E182481

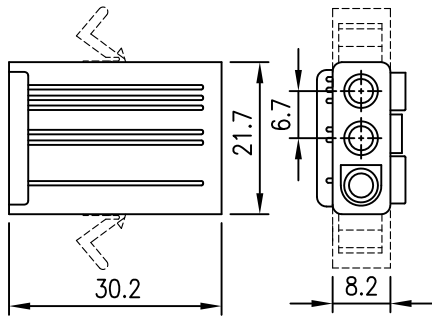
REV	DESCRIPTION	DATE



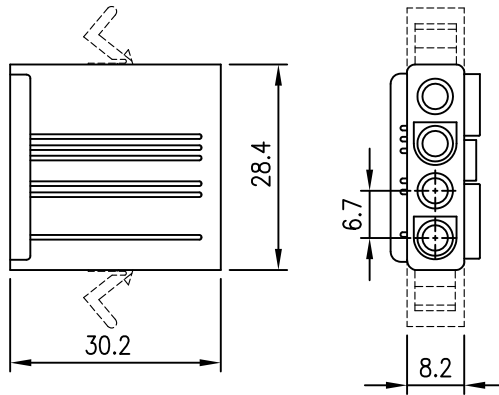
YY-3950-H01F(E)2



YY-3950-H02F(E)2



YY-3950-H03F(E)2



YY-3950-H04F(E)2

NOTES

Available in 01 through 15 Circuits
 Material: Nylon 66 UL94-V2
 Accepts YY-3950-TM crimp terminal
 Mates with YY-3950-HM2

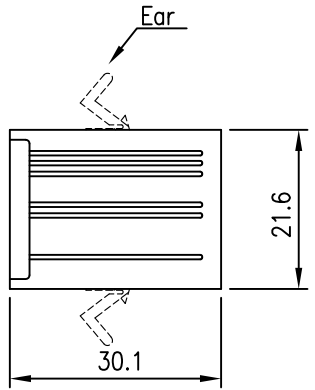
ORDERING INFORMATION

YY-3950 - $\frac{H}{1} \frac{**}{2} \frac{F}{3} \frac{*}{4} \frac{2}{5}$

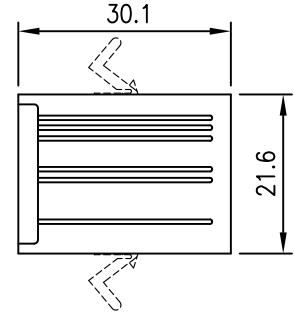
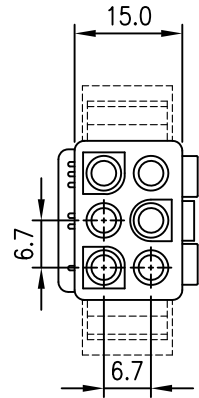
- H : Housing
- No. of Circuits 01~15
- Housing Type
- F : Female
- : W/O Ear
- E : W/EAR
- 2 : 6.70mm Pitch



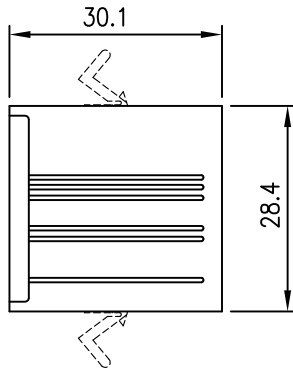
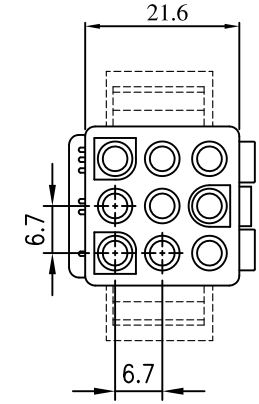
TOLERANCE					
X.	--	TITLE 6.70mm(.263") Pitch Wire to Wire Female Housing			
X.X	±0.30				
X.XX	±0.10				
X.XXX	--				
ANGULAR	--				
APPROVALS					
DRAWN	Frank 19-September-2009	VIEW	SCALE	PART NO.	REV.
CHECKED	Denise 19-September-2009		1:1	YY-3950-H**F*2	A0
APPROVED	Jessica 19-September-2009	UNIT	SIZE	DWG NO.	SHEET
		MM	A4	YY-3950-H**F*2-128	1 OF 2



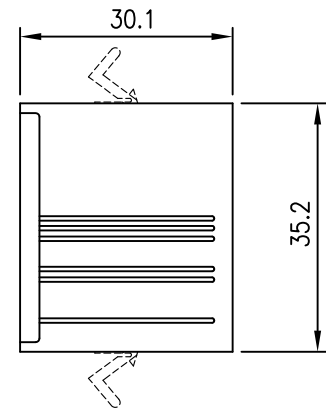
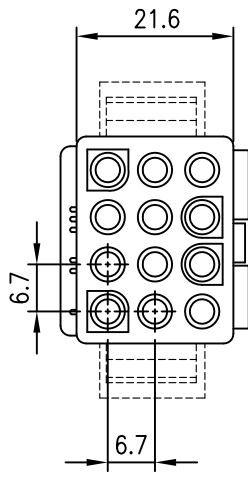
YY-3950-H06F(E)2



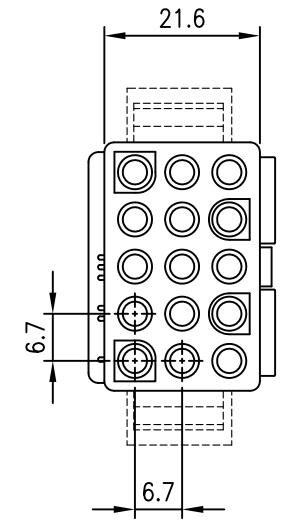
YY-3950-H09F(E)2


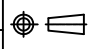


YY-3950-H12F(E)2



YY-3950-H15F(E)2

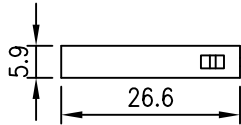


TOLERANCE		 Young Yak Enterprise Co., Ltd. TITLE 6.70mm(.263") Pitch Wire to Wire Female Housing			
X.	--				
X.X	±0.30				
X.XX	±0.10				
X.XXX	--				
ANGULAR		--			
APPROVALS					
DRAWN	Frank	VIEW	SCALE	PART NO.	REV.
	19-September-2009		1:1	YY-3950-H**F*2	A0
CHECKED	Denise	UNIT	SIZE	DWG NO.	SHEET
	19-September-2009	MM	A4	YY-3950-H**F*2-128	2 OF 2
APPROVED	Jessica				
	19-September-2009				

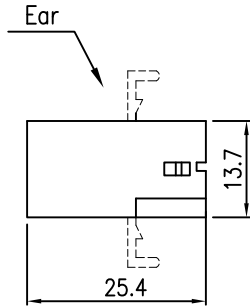


C **RI** US E182481

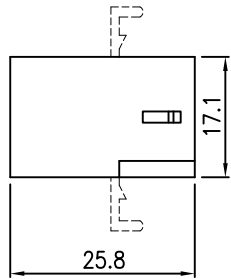
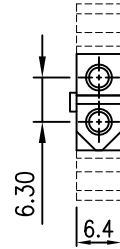
REV	DESCRIPTION	DATE



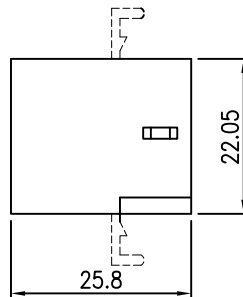
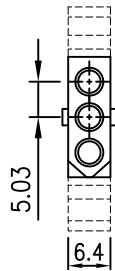
YY-3950-H01M1



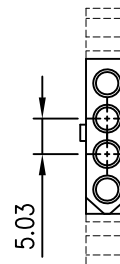
YY-3950-H02M(E)1



YY-3950-H03M(E)1



YY-3950-H04M(E)1



NOTES

Available in 01 through 15 Circuits
 Material: Nylon 66 UL94-V2
 Accepts YY-3950-TF crimp terminal
 Mates with YY-3950-HF1

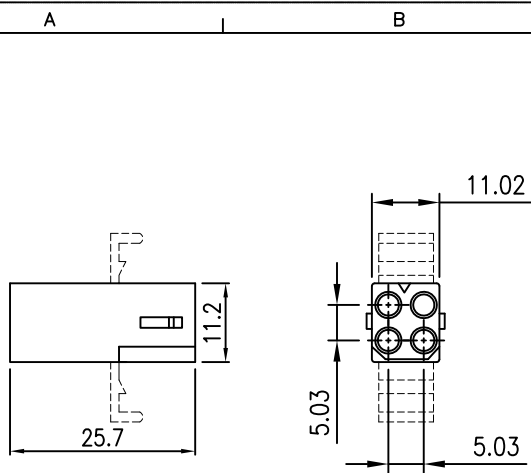
ORDERING INFORMATION

YY-3950 - H ** M * 1 *
 1 2 3 4 5 6

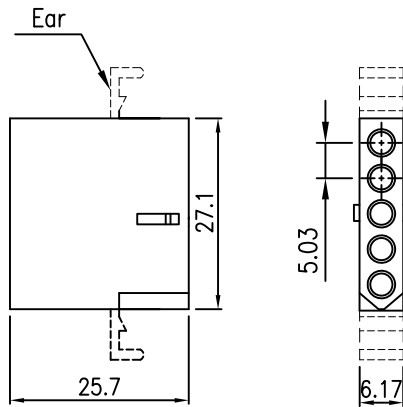
1. H : Housing
2. No. of Circuits 01~15
3. Housing Type
M : Male
4. □ : W/O Ear
E : W/EAR
5. 1 : 5.03mm Pitch
6. □ : Standard
A : 2x2



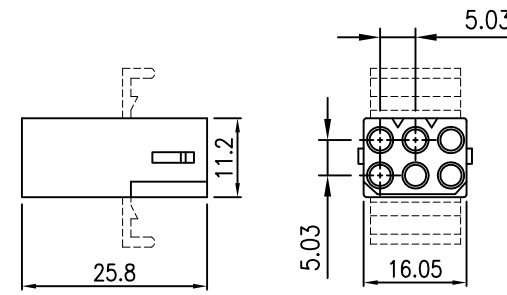
TOLERANCE		Young Yak Enterprise Co., Ltd.			
X.	--	TITLE 5.03mm(.198") Pitch Wire to Wire Male Housing			
X.X	±0.30				
X.XX	±0.10				
X.XXX	--				
ANGULAR	--				
APPROVALS					
DRAWN	Frank 19-September-2009	VIEW	SCALE	PART NO.	REV.
CHECKED	Denise 19-September-2009		1:1	YY-3950-H**M*1*	A0
APPROVED	Jessica 19-September-2009	UNIT	SIZE	DWG NO.	SHEET
		MM	A4	YY-3950-H**M*1*-128	1 OF 2



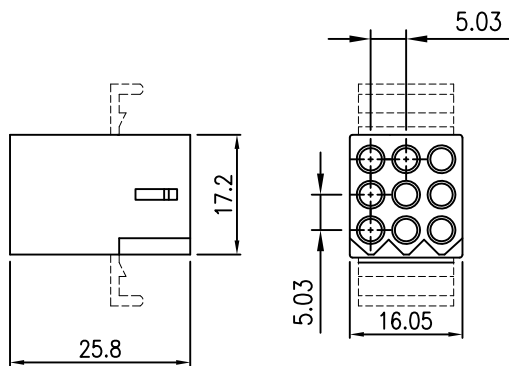
YY-3950-H04M(E)1A



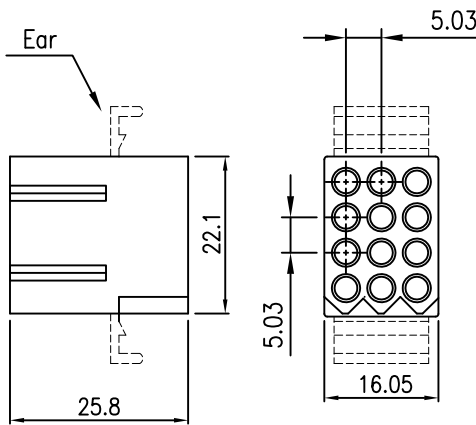
YY-3950-H05M(E)1



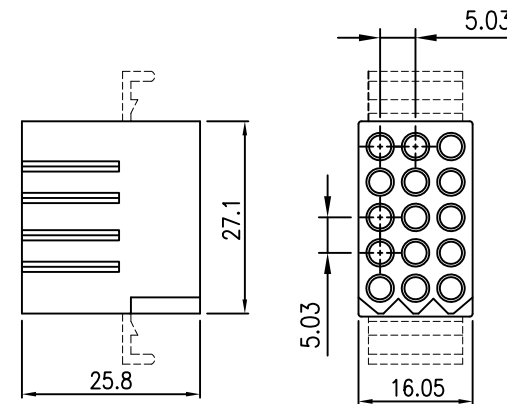
YY-3950-H06M(E)1




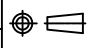
YY-3950-H09M(E)1



YY-3950-H12M(E)1



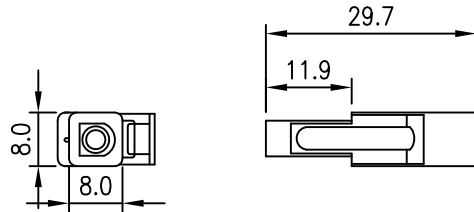
YY-3950-H15M(E)1

TOLERANCE		 Young Yak Enterprise Co., Ltd. TITLE 5.03mm(.198") Pitch Wire to Wire Male Housing			
X.	--				
X.X	±0.30				
X.XX	±0.10				
X.XXX	--				
ANGULAR					
APPROVALS					
DRAWN	Frank	VIEW	SCALE	PART NO.	REV.
	19-September-2009		1:1	YY-3950-H**M*1*	A0
CHECKED	Denise	UNIT	SIZE	DWG NO.	SHEET
	19-September-2009	MM	A4	YY-3950-H**M*1*-128	2 OF 2
APPROVED	Jessica				
	19-September-2009				

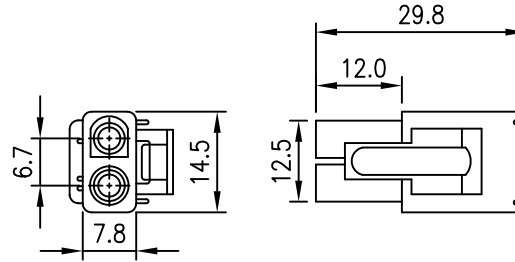


C US E182481

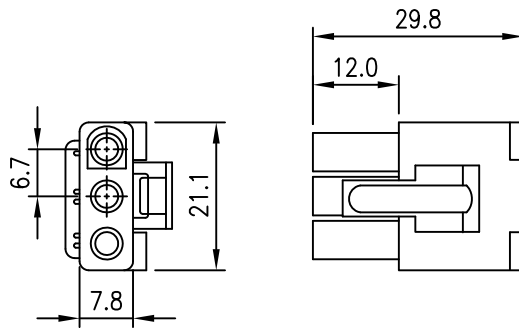
REV	DESCRIPTION	DATE



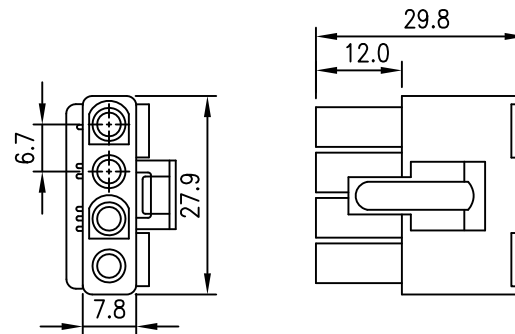
YY-3950-H01M2



YY-3950-H02M2



YY-3950-H03M2



YY-3950-H04M2

NOTES

Available in 01 through 15 Circuits
 Material: Nylon 66 UL94-V2
 Accepts YY-3950-TF crimp terminal
 Mates with YY-3950-HF2

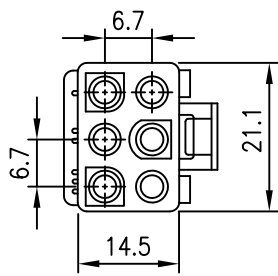
ORDERING INFORMATION

YY-3950 - $\frac{H}{1} \frac{**}{2} \frac{M}{3} \frac{*}{4} \frac{2}{5}$

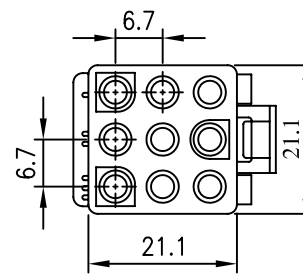
- H : Housing
- No. of Circuits 01~15
- Housing Type
M : Male
- : W/O Ear
E : W/EAR
- 2 : 6.70mm Pitch



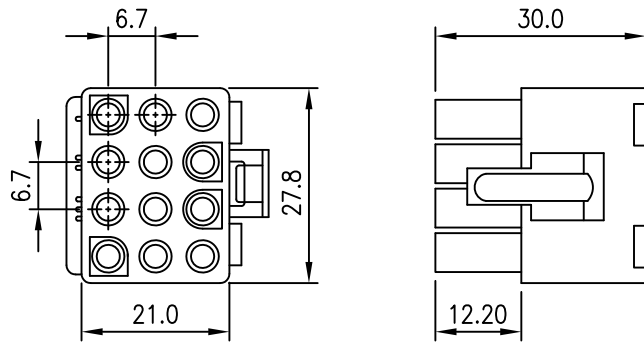
TOLERANCE		Young Yak Enterprise Co., Ltd.			
X.	--	TITLE 6.70mm(.263") Pitch Wire to Wire Male Housing			
X.X	±0.30				
X.XX	±0.10				
X.XXX	--				
ANGULAR	--				
APPROVALS					
DRAWN	Frank 19-September-2009	VIEW	SCALE	PART NO.	REV.
CHECKED	Denise 19-September-2009		1:1	YY-3950-H**M*2	A0
APPROVED	Jessica 19-September-2009	UNIT	SIZE	DWG NO.	SHEET
		MM	A4	YY-3950-H**M*2-128	1 OF 2



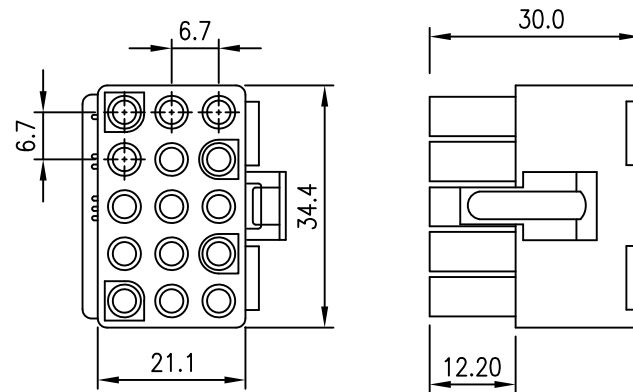
YY-3950-H06M2




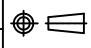
YY-3950-H09M2



YY-3950-H12M2



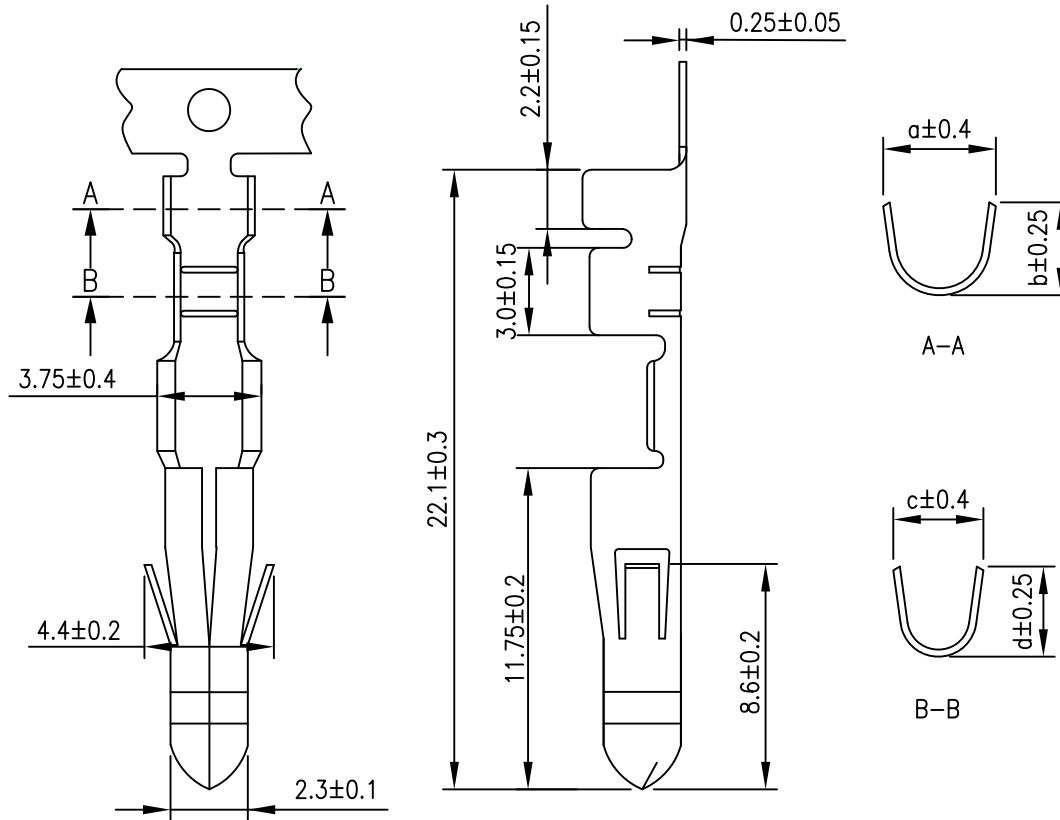
YY-3950-H15M2

TOLERANCE		 Young Yak Enterprise Co., Ltd. TITLE 6.70mm(.263") Pitch Wire to Wire Male Housing			
X.	--				
X.X	±0.30				
X.XX	±0.10				
X.XXX	--				
ANGULAR					
APPROVALS					
DRAWN	Frank	VIEW	SCALE	PART NO.	REV.
	19-September-2009		1:1	YY-3950-H**M*2	A0
CHECKED	Denise	UNIT	SIZE	DWG NO.	SHEET
	19-September-2009	MM	A4	YY-3950-H**M*2-128	2 OF 2
APPROVED	Jessica				
	19-September-2009				



C **YI** US E182481

REV	DESCRIPTION	DATE



NOTES

YY-3950-TM mates with
YY-3950-H**F Series Housing
Material : Brass
Finish : Tin-Plated
Thickness: 0.25mm
insertion & Withdrawal force : YY-3950-TF&TM
Single Contact insertion force : 3.0 kgf max.
Single Contact Withdrawal force : 0.5 kgf min.
Contact Resistance :
Initial : 10 milliohms max.
After Environmental Test : 20 milliohms max.

ORDERING INFORMATION

YY-3950 - T M TA *
1 2 3 4

1. T : Terminal
2. Type
M : Male
3. TA : Tin , Pre-tinned
4. L : AWG 16~20
S : AWG 20~24

TYPE	Wire Range	Wire Range				Insulation O.D.(mm)	Qty/reel
		a	b	c	d		
L	AWG #16~20	5.0	4.8	3.0	3.6	3.2(MAX)	4,000PCS
S	AWG #20~24	3.6	3.3	2.6	2.6	2.7(MAX)	5,000PCS

TOLERANCE					
X.	--	Young Yak Enterprise Co., Ltd. TITLE $\phi 2.36\text{mm}(.093\text{'})$ Wire to Wire Male Terminal			
X.X	--				
X.XX	--				
X.XXX	--				
ANGULAR	--				
APPROVALS					
DRAWN	Frank	VIEW	SCALE	PART NO.	REV.
	19-September-2009		F	YY-3950-TMTA*	A0
CHECKED	Denise	UNIT	SIZE	DWG NO.	SHEET
	19-September-2009	MM	A4	YY-3950-TMTA*-128	1 OF 1
APPROVED	Jessica				
	19-September-2009				

