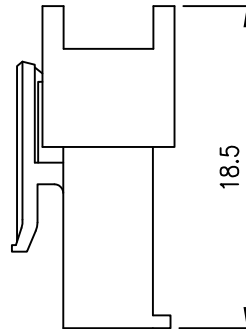
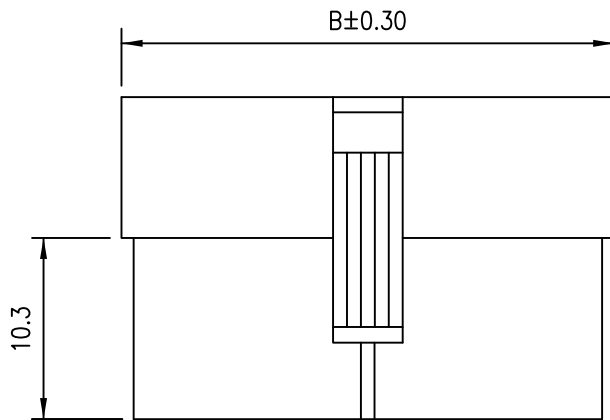
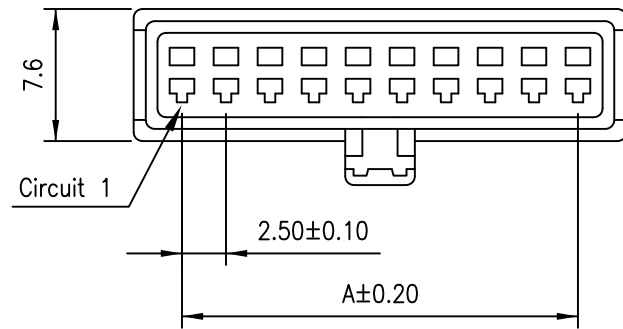




C US E182481

REV	DESCRIPTION	DATE



**NOTES**

Available in 02 through 12 Circuits  
 Material: Nylon 66 UL94-V0  
 Accepts YY-1500-TM Crimp Terminal  
 Mates with YY-1500-HM Series Housing  
 Color : Black

**SPECIFICATION**

Voltage rating : 250V AC,DC  
 Current rating : 3A AC,DC  
 Withstanding voltage : 1000V AC/minute  
 Insulation resistance : 500MΩ min  
 Temperature range : -25° ~ +85°

**ORDERING INFORMATION**

YY-1500 -  $\frac{H}{1} \frac{**}{2} \frac{F}{3}$

1. H : Housing
2. No. of Circuits 02~12
3. Housing Type  
F : Female

Circuits	Dimension		Circuits	Dimension	
	A	B		A	B
2	2.50	8.1	8	17.50	23.2
3	5.00	10.7	9	20.00	25.7
4	7.50	13.2	10	22.50	28.2
5	10.00	15.7	11	25.00	30.7
6	12.50	18.2	12	27.50	33.2
7	15.00	20.7	--	--	--

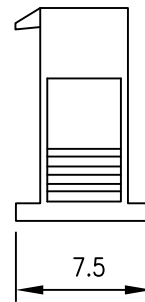
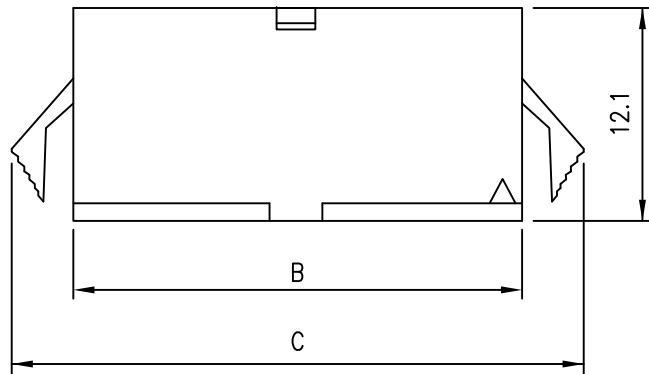
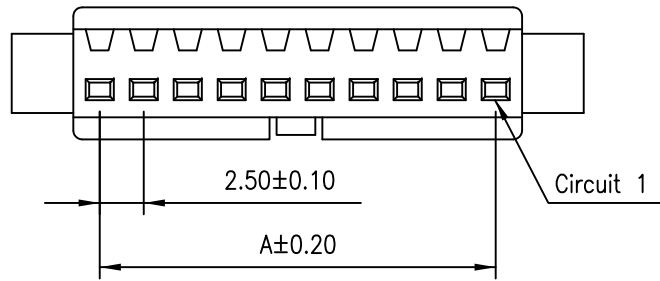
TOLERANCE					
X.	--	TITLE 2.50mm(.098") Pitch Wire to Wire Female Housing			
X.X	±0.30				
X.XX	±0.20				
X.XXX	--				
ANGULAR	--				
APPROVALS					
DRAWN	Kang 16-July-2013	VIEW	SCALE	PART NO.	REV.
CHECKED	Denise 16-July-2013		F	YY-1500-H**F	A1
APPROVED	Jessica 16-July-2013	UNIT	SIZE	DWG NO.	SHEET
		MM	A4	YY-1500-H**F-128	1 OF 1





C US E182481

REV	DESCRIPTION	DATE



**NOTES**

Available in 02 through 12 Circuits  
 Material: Nylon 66 UL94-V0  
 Accepts YY-1500-TF Crimp Terminal  
 Mates with YY-1500-HF Series Housing  
 Color : Black

**SPECIFICATION**

Voltage rating : 250V AC,DC  
 Current rating : 3A AC,DC  
 Withstanding voltage : 1000V AC/minute  
 Insulation resistance : 500MΩ min  
 Temperature range : -25° ~ +85°

**ORDERING INFORMATION**

YY-1500 -  $\frac{H}{1} \frac{**}{2} \frac{M}{3}$

- H : Housing
- No. of Circuits 02~12
- Housing Type  
M : Male

Circuits	Dimension			Circuits	Dimension		
	A	B	C		A	B	C
2	2.50	5.7	9.6	8	17.50	20.7	24.6
3	5.00	8.2	12.1	9	20.00	23.2	27.1
4	7.50	10.7	14.6	10	22.50	25.7	29.6
5	10.00	13.2	17.1	11	25.00	28.2	32.1
6	12.50	15.7	19.6	12	27.50	30.7	34.6
7	15.00	18.2	22.1	--	--	--	--

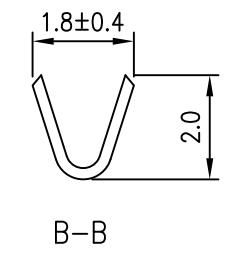
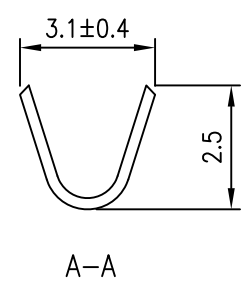
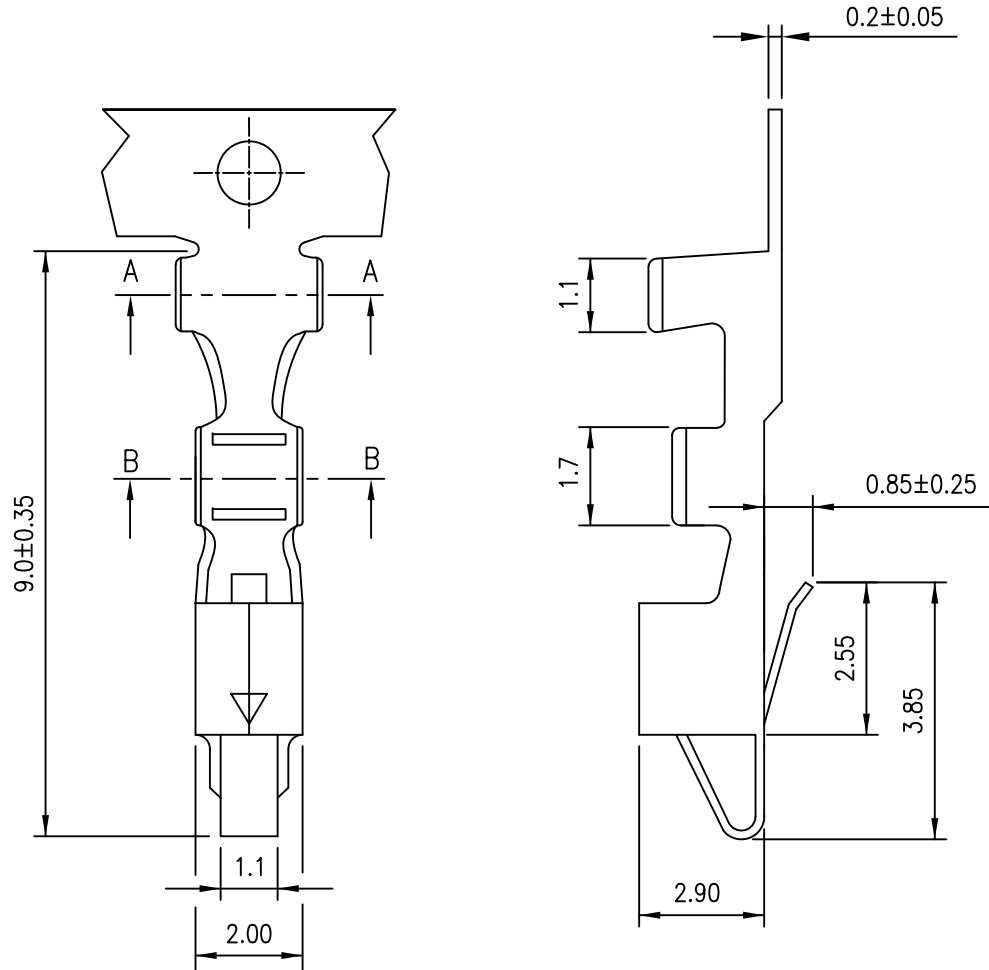
TOLERANCE		Young Yak Enterprise Co., Ltd.			
X.	--	 TITLE 2.50mm(.098") Pitch Wire to Wire Male Housing			
X.X	±0.30				
X.XX	±0.20				
X.XXX	--				
ANGULAR	--				
APPROVALS					
DRAWN	Kang	VIEW	SCALE	PART NO.	REV.
CHECKED	Denise		F	YY-1500-H**M	A1
APPROVED	Jessica	UNIT	SIZE	DWG NO.	SHEET
		MM	A4	YY-1500-H**M-128	1 OF 1





C **YI** US E182481

REV	DESCRIPTION	DATE



### NOTES

Used in YY-1500-HM series housing  
 Accepts AWG #22~28 wire range  
 Insulation O.D.=1.80 mm (max)  
 Material : Brass  
 Finish : Tin-plated  
 Qty/Reel : 7,000PCS  
 Thickness: 0.2mm

### ORDERING INFORMATION

YY-1500 - T F TA  
 1 2 3

1. T : Terminal
2. Type  
F : Female
3. TA : Tin , Pre-tinned

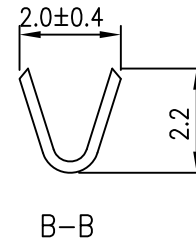
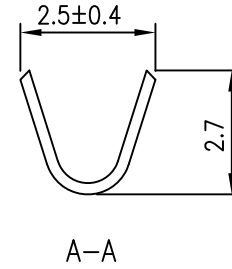
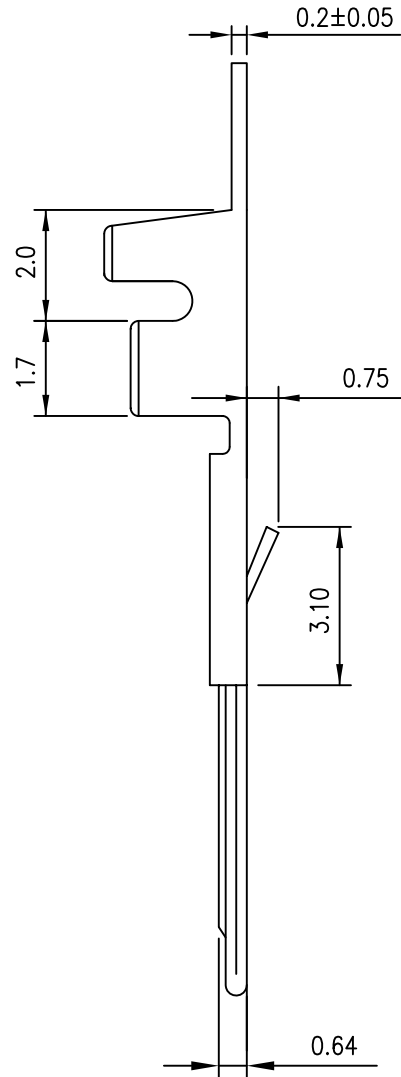
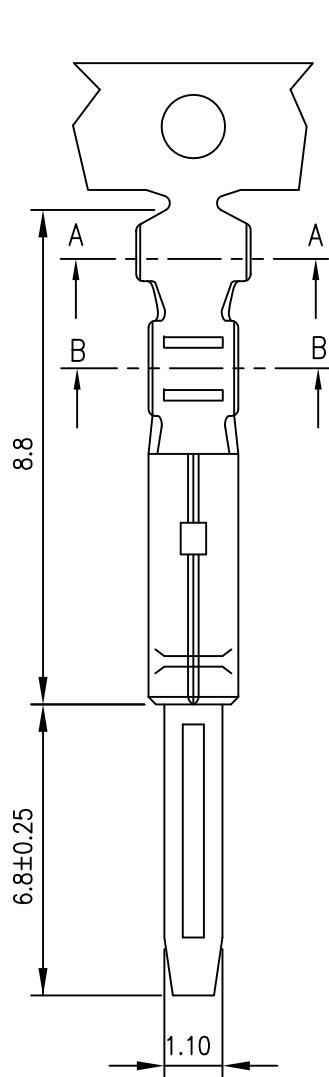


TOLERANCE					
X.	--	TITLE 2.50mm(.098") Pitch Wire to Wire Female Terminal			
X.X	±0.30				
X.XX	±0.20				
X.XXX	--				
ANGULAR	--				
APPROVALS					
DRAWN	Frank	VIEW	SCALE	PART NO.	REV.
	05-October-2009		F	YY-1500-TFTA	A0
CHECKED	Denise	UNIT	SIZE	DWG NO.	SHEET
	05-October-2009	MM	A4	YY-1500-TFTA-128	1 OF 1
APPROVED	Jessica				
	05-October-2009				



C **UL** US E182481

REV	DESCRIPTION	DATE



### NOTES

Used in YY-1500-HF series housing  
 Accepts AWG #22~28 wire range  
 Insulation O.D.=1.80 mm (max)  
 Material : Brass  
 Finish : Tin-plated  
 Qty/Reel : 7,000PCS  
 Thickness: 0.2mm

### ORDERING INFORMATION

YY-1500 - T M TA  
 1 2 3

1. T : Terminal
2. M : Male Type
3. TA : Tin , Pre-tinned



TOLERANCE	
X.	--
X.X	±0.30
X.XX	±0.20
X.XXX	--
ANGULAR	--



**Young Yak Enterprise Co., Ltd.**

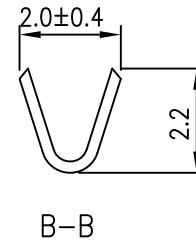
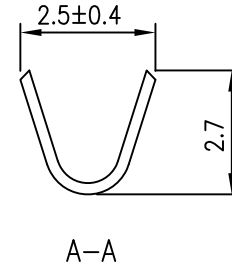
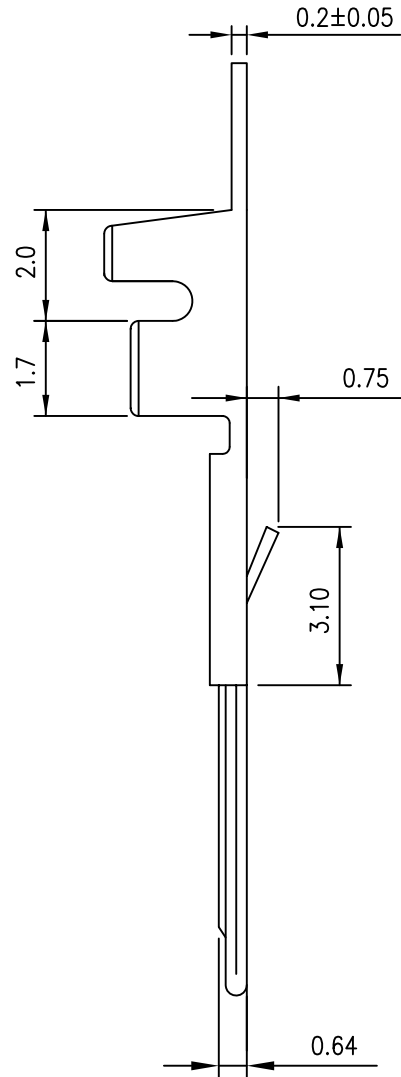
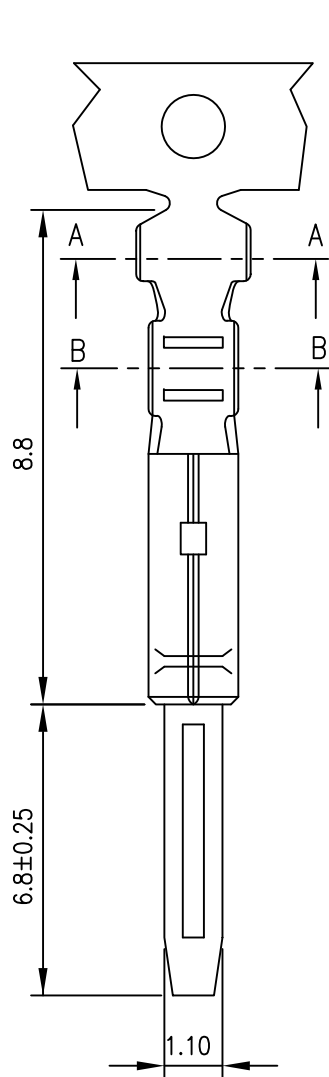
TITLE  
 2.50mm(.098") Pitch  
 Wire to Wire Male Terminal

APPROVALS		VIEW	SCALE	PART NO.	REV.
DRAWN	Frank		F	YY-1500-TMTA	A0
CHECKED	Denise				
APPROVED	Jessica	UNIT	SIZE	DWG NO.	SHEET
		MM	A4	YY-1500-TMTA-128	1 OF 1



C **UL** US E182481

REV	DESCRIPTION	DATE



### NOTES

Used in YY-1500-HF series housing  
 Accepts AWG #22~28 wire range  
 Insulation O.D.=1.80 mm (max)  
 Material : Brass  
 Finish : Tin-plated  
 Qty/Reel : 7,000PCS  
 Thickness: 0.2mm

### ORDERING INFORMATION

YY-1500 - T M TA  
 1 2 3

1. T : Terminal
2. M : Male Type
3. TA : Tin , Pre-tinned



TOLERANCE	
X.	--
X.X	±0.30
X.XX	±0.20
X.XXX	--
ANGULAR	--



**Young Yak Enterprise Co., Ltd.**

TITLE  
 2.50mm(.098") Pitch  
 Wire to Wire Male Terminal

APPROVALS		VIEW	SCALE	PART NO.	REV.
DRAWN	Frank		F	YY-1500-TMTA	A0
CHECKED	Denise				
APPROVED	Jessica	UNIT	SIZE	DWG NO.	SHEET
		MM	A4	YY-1500-TMTA-128	1 OF 1