

Circuits	Dimension mm		Circuits	Dimension mm	
	A	B		A	B
2	2.50	6.00	8	17.50	21.00
3	5.00	8.50	9	20.00	23.50
4	7.50	11.00	10	22.50	26.00
5	10.00	13.50	11	25.00	28.50
6	12.50	16.00	12	27.50	31.00
7	15.00	18.50	--	--	--

REV	DESCRIPTION	DATE

**NOTES**

Available in 02 through 12 Circuits  
 Material: Nylon 66 UL94-V2  
 Accepts YY-1200-T Crimp Terminal  
 Mates with YY-1200-W\*\*S or  
 YY-1200-W\*\*R Series Header

**SPECIFICATION**

Voltage rating: 250V AC,DC  
 Current rating: 2A AC,DC  
 Insulation Resistance: 1000MΩ Min.  
 Contact Resistance: 20mΩ Max.  
 Dielectric Withstanding Voltage: 800V AC/minute  
 Temperature range: -25°C to +85°C

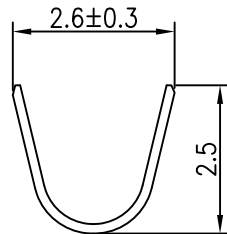
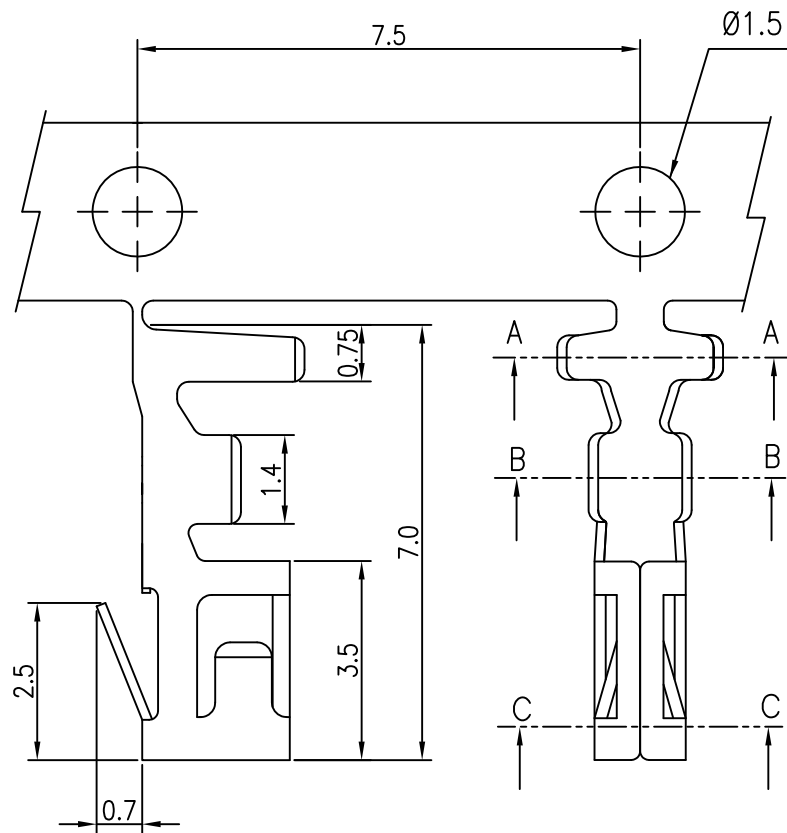
**ORDERING INFORMATION**

YY-1200 -  $\frac{H}{1} \frac{**}{2}$

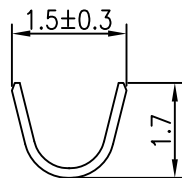
- H : Housing
- No. of Circuits 02~12



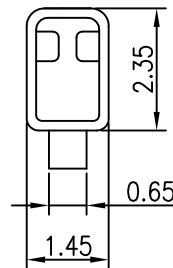
TOLERANCE					
X.	--	TITLE 2.5mm(.098") Pitch Wire to Board Housing			
X.X	±0.30				
X.XX	±0.20				
X.XXX	--				
ANGULAR	--				
APPROVALS		DRAWN Frank 04-December-2009 CHECKED Denise 04-December-2009 APPROVED Jessica 04-December-2009			
VIEW	SCALE	PART NO.	REV.	UNIT MM	
	F	YY-1200-H**	A0	SIZE	DWG NO. YY-1200-H**-043
		A4	1 OF 1		



A-A



B-B



C-C

REV	DESCRIPTION	DATE

**NOTES**

Used in YY-1200-H Series Housing  
 Accepts AWG #22~28 Wire Range  
 Insulation O.D.= 1.6~1.2 mm  
 Material : Brass  
 Finish : Tin , Pre-tinned  
 Qty/Reel : 8,000 PCS  
 Thickness: 0.2mm

**ORDERING INFORMATION**

**YY-1200 - T TA**  
 1 2

1. T : Terminal
2. TA : Tin , Pre-tinned

YOUNG YAK  
 2009.05.12  
 ISSUED

TOLERANCE	
X.	--
X.X	$\pm 0.25$
X.XX	$\pm 0.15$
X.XXX	--
ANGULAR	--



**Young Yak Enterprise Co., Ltd.**

TITLE  
 2.50mm(.098") Pitch  
 Wire to Board Terminal

APPROVALS		VIEW	SCALE	PART NO.	REV.
DRAWN	Frank		F	YY-1200-TTA	A0
CHECKED	Denise				
APPROVED	Jessica	UNIT	SIZE	DWG NO.	SHEET
	11-MAY-2009	MM	A4	YY-1200-TTA-043	1 OF 1



REV	DESCRIPTION	DATE
A1	EN990310-1	2010.03.10

**NOTES**

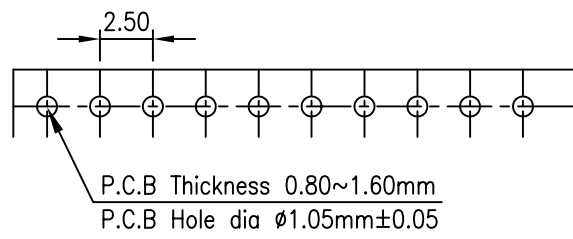
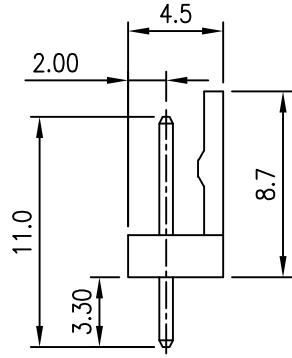
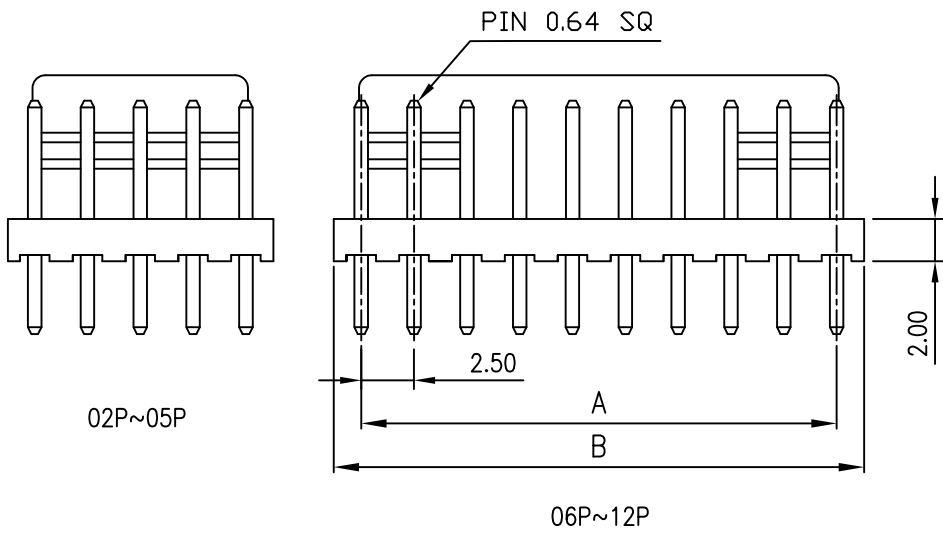
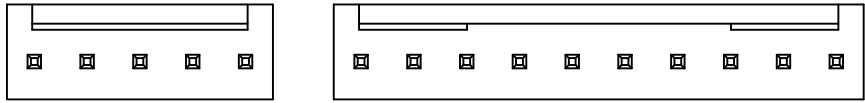
Available in 02 through 12 circuits  
 Material: Nylon 66 UL94-V2  
 Mates with YY-1200-H series housing  
 0.64mm(.025") squard pin  
 Pin Material: Brass/Tin-Plated

**ORDERING INFORMATION**

YY-1200 - W \*\* S T  
                   1 2 3

- No. of Circuits 02~12
  - S : Straight
  - Plated
- T : Tin

Circuits	Dimension mm		Circuits	Dimension mm	
	A	B		A	B
2	2.50	5.10	8	17.50	20.10
3	5.00	7.60	9	20.00	22.60
4	7.50	10.10	10	22.50	25.10
5	10.00	12.60	11	25.00	27.60
6	12.50	15.10	12	27.50	30.10
7	15.00	17.60	--	--	--



P.C.B. LAYOUT

TOLERANCE	
X.	--
X.X	±0.30
X.XX	±0.20
X.XXX	--
ANGULAR	--
APPROVALS	
DRAWN	Frank 10-March-2010
CHECKED	Denise 10-March-2010
APPROVED	Jessica 10-March-2010



TITLE: 2.5mm(.098") Pitch  
Wire to Board Header

DRAWN	VIEW	SCALE	PART NO.	REV.
Frank 10-March-2010		F	YY-1200-W**ST	A1
CHECKED	UNIT	SIZE	DWG NO.	SHEET
Denise 10-March-2010	MM	A4	YY-1200-W**ST-043	1 OF 1





REV	DESCRIPTION	DATE
A1	EN990310-1	2010.03.10

**NOTES**

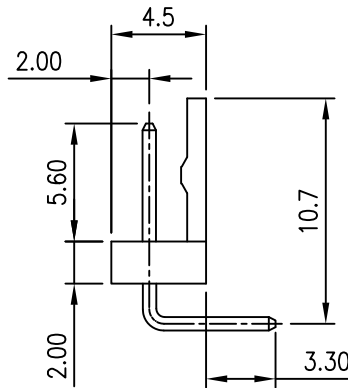
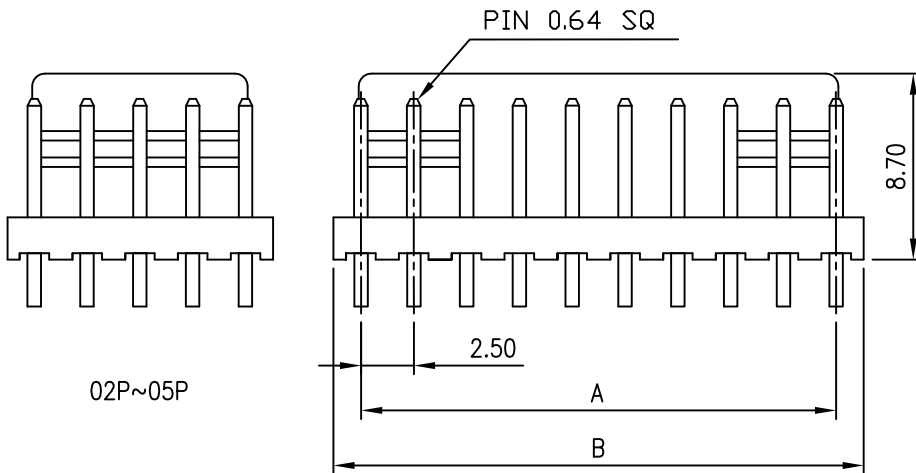
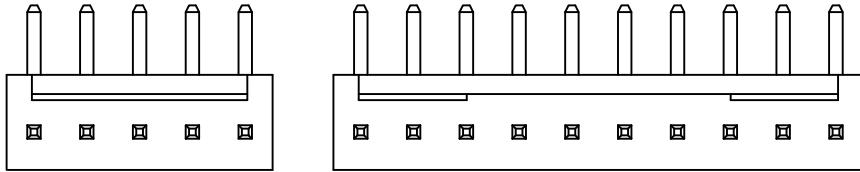
Available in 02 through 12 circuits  
 Material: Nylon 66 UL94-V2  
 Mates with YY-1200-H series housing  
 0.64mm(.025") squard pin  
 Pin Material: Brass/Tin-Plated

**ORDERING INFORMATION**

**YY-1200 - W \*\* R T**  
**1 2 3**

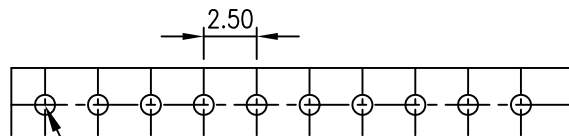
- No. of Circuits 02~12
- R : Right angle
- Plated:  
T : Tin

Circuits	Dimension mm		Circuits	Dimension mm	
	A	B		A	B
2	2.50	5.10	8	17.50	20.10
3	5.00	7.60	9	20.00	22.60
4	7.50	10.10	10	22.50	25.10
5	10.00	12.60	11	25.00	27.60
6	12.50	15.10	12	27.50	30.10
7	15.00	17.60	--	--	--



02P~05P

06P~12P



P.C.B Thickness 0.80~1.60mm  
 P.C.B Hole dia  $\phi$ 1.2mm $\pm$ 0.05

P.C.B. LAYOUT



TOLERANCE	
X.	--
X.X	$\pm$ 0.30
X.XX	$\pm$ 0.20
X.XXX	--
ANGULAR	--
APPROVALS	
DRAWN	Frank 10-March-2010
CHECKED	Denise 10-March-2010
APPROVED	Jessica 10-March-2010



**Young Yak Enterprise Co., Ltd.**

TITLE  
 2.5mm(.098") Pitch  
 Wire to Board Header

VIEW	SCALE	PART NO.	REV.
	4:1	YY-1200-W**RT	A1
UNIT	SIZE	DWG NO.	SHEET
MM	A4	YY-1200-W**RT-043	1 OF 1