



C **YI** US E182481

REV	DESCRIPTION	DATE

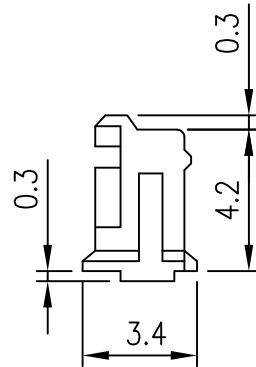
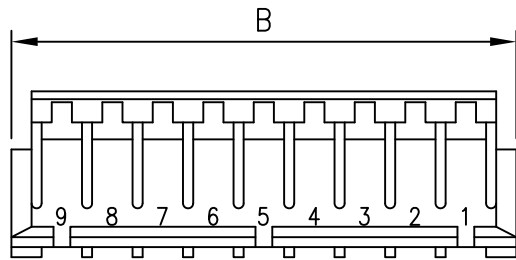
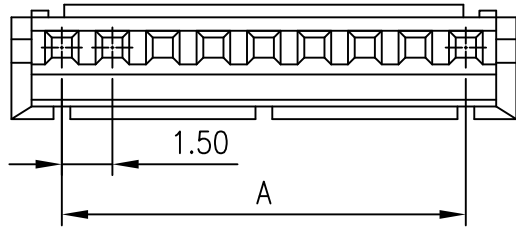
**NOTES**

Available in 02 through 13 Circuits  
 Material: Nylon 66 UL94-V0  
 Accepts YY-1160-T Crimp Terminal  
 Mates with YY-1160-W\*\*S or  
 YY-1160-W\*\*R Series Header

**ORDERING INFORMATION**

YY-1160 -  $\frac{H}{1} \frac{**}{2}$

1. H : Housing
2. No. of Circuits 02~13



Circuits	Dimension mm		Circuits	Dimension mm	
	A	B		A	B
2	1.5	4.5	8	10.5	13.5
3	3.0	6.0	9	12.0	15.0
4	4.5	7.5	10	13.5	16.5
5	6.0	9.0	11	15.0	18.0
6	7.5	10.5	12	16.5	19.5
7	9.0	12.0	13	18.0	21.0

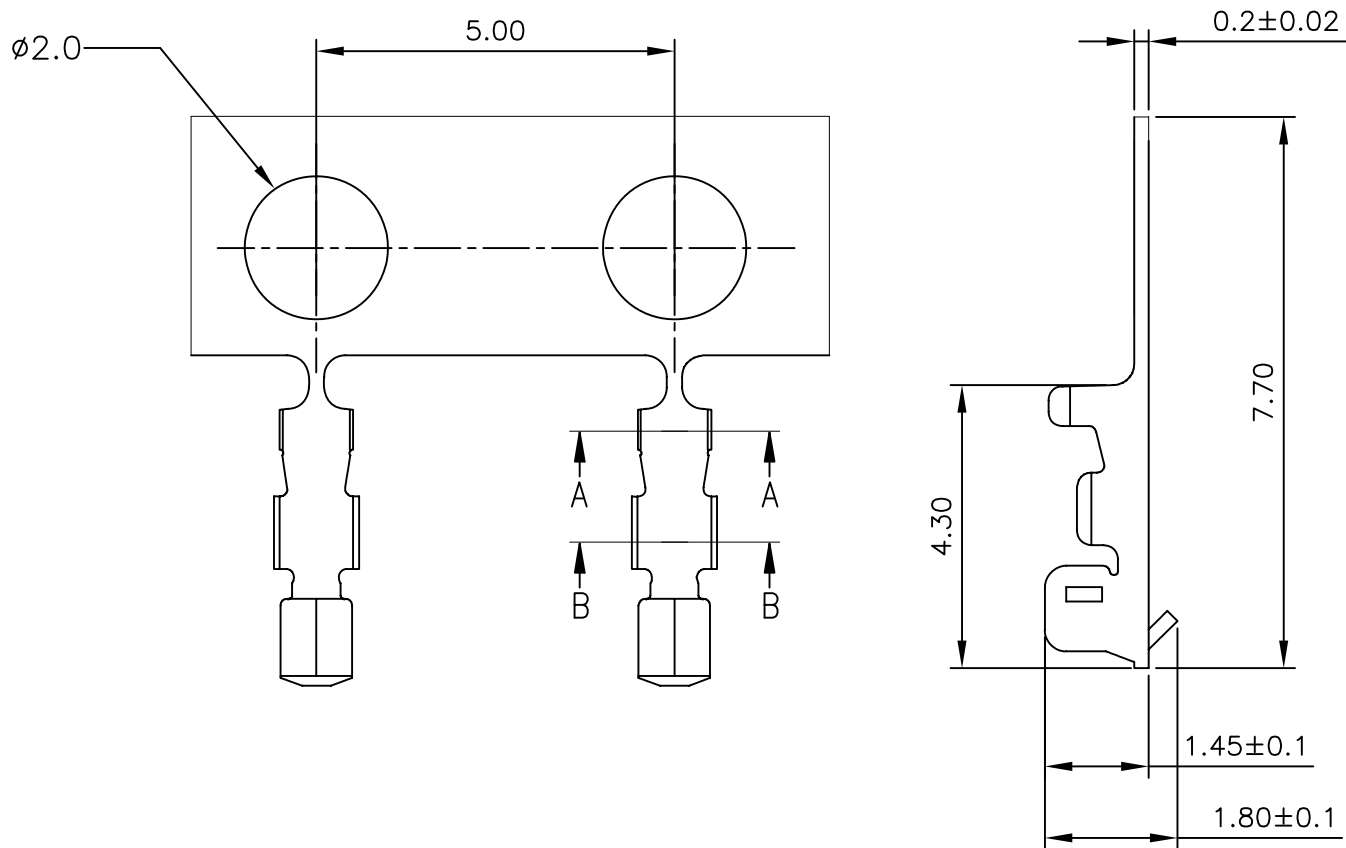
TOLERANCE					
X.	--	TITLE 1.50mm(.059") Pitch Wire to Board Housing			
X.X	±0.25				
X.XX	±0.15				
X.XXX	±0.05				
ANGULAR	--				
APPROVALS					
DRAWN	Frank 04-August-2009	VIEW	SCALE	PART NO.	REV.
CHECKED	Denise 04-August-2009		F	YY-1160-H**	A0
APPROVED	Jessica 04-August-2009	UNIT	SIZE	DWG NO.	SHEET
		MM	A4	YY-1160-H**-085	1 OF 1





C **UL** US E182481

REV	DESCRIPTION	DATE
A1	EN201403250001	2014-03-25



### NOTES

Used in YY-1160-H Series Housing  
 Accepts AWG #28~32 Wire Range  
 Insulation O.D.= 1.10 mm(max)  
 Material : Phosphor Bronze  
 Finish : Tin-Plated  
 Qty/Reel : 10,000 PCS  
 Thickness: 0.20mm

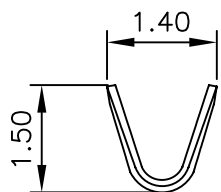
### SPECIFICATION:

Current rating: 1 A AC / DC  
 Voltage rating: 100V AC / DC  
 Contact Resistance: 20m $\Omega$  Max.  
 Insulation Resistance: 500M $\Omega$  Min.  
 Withstanding Voltage: 500V AC /minute  
 Temperature range: -25°C ~ +85°C

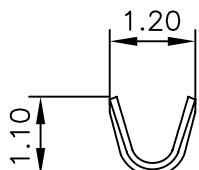
### ORDERING INFORMATION

**YY-1160 - T TB P**  
**1 2 3**

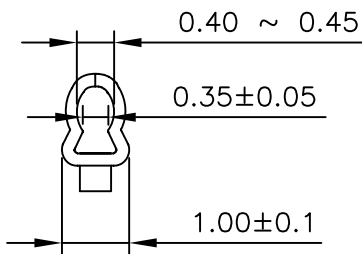
1. T : Terminal
2. Plated  
TB : Tin
3. Material  
P : Phosphor bronze



SEC: A-A



SEC: B-B



TOLERANCE	
X.	--
X.X	$\pm 0.30$
X.XX	$\pm 0.20$
X.XXX	$\pm 0.10$
ANGULAR	--



TITLE  
 1.50mm(.059") Pitch  
 Wire to Board Terminal

APPROVALS		VIEW	SCALE	PART NO.	REV.
DRAWN	Kang		F	YY-1160-TTBP	A1
CHECKED	Denise				
APPROVED	Jessica	UNIT	SIZE	DWG NO.	SHEET
		MM	A4	YY-1160-TTBP-217	1 OF 1

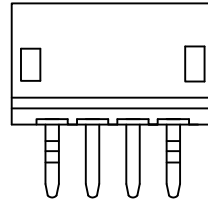
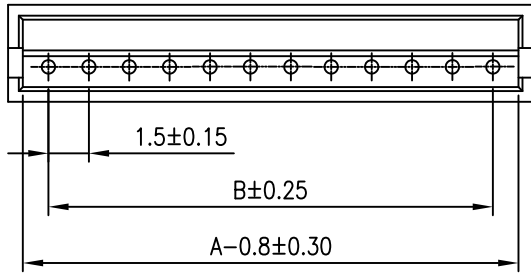


Customer Drawing



YAK US E182481

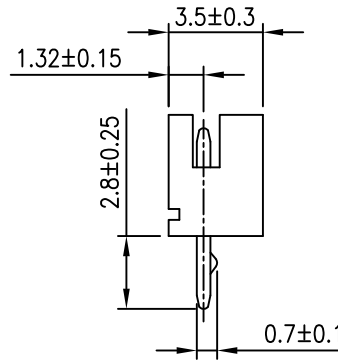
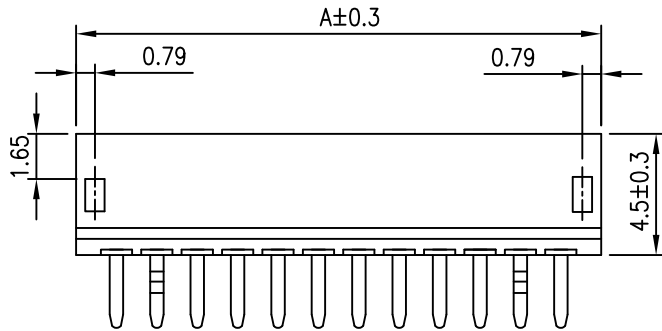
REV	DESCRIPTION	DATE
A1	EN990310-1	2010.03.10



2~4 Pin

**NOTES**

Available in 02 through 13 Circuits  
 Material: Nylon 66 UL94-V0  
 Accepts YY-1160-T Crimp Terminal  
 Mates with YY-1160-H Series Housing  
 0.5mm(.020") Round Pin  
 Pin Material: Brass/Tin-Plated

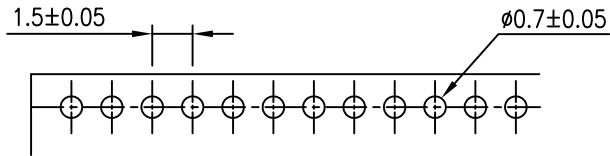


5~13 Pin

**ORDERING INFORMATION**

YY-1160 - W \*\* S T  
                   1 2 3

- No. of Circuits 02~13
- Connect Type  
S : Straight  
T : Tin-Plated
- Plated



P.C.B Thickness : 1.20±0.05mm

P.C.B LAYOUT

Circuits	Dimension mm		Circuits	Dimension mm	
	A	B		A	B
2	4.50	1.50	8	13.50	10.50
3	6.00	3.00	9	15.00	12.00
4	7.50	4.50	10	16.50	13.50
5	9.00	6.00	11	18.00	15.00
6	10.50	7.50	12	19.50	16.50
7	12.00	9.00	13	21.00	18.00

TOLERANCE					
X.	--	TITLE 1.5mm(.059") Pitch Wire to Board Header			
X.X	±0.25				
X.XX	±0.20				
X.XXX	±0.10				
ANGULAR	--				
APPROVALS					
DRAWN	Frank	VIEW	SCALE	PART NO.	REV.
	10-March-2010		F	YY-1160-W**ST	A1
CHECKED	Denise	UNIT	SIZE	DWG NO.	SHEET
	10-March-2010	MM	A4	YY-1160-W**ST-085	1 OF 1
APPROVED	Jessica				
	10-March-2010				

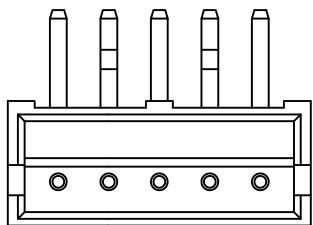




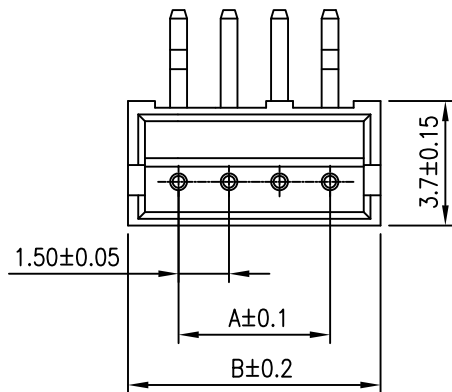
C **RI** US E182481

REV	DESCRIPTION	DATE

5P ~13P Kink Type



2P ~4P Kink Type



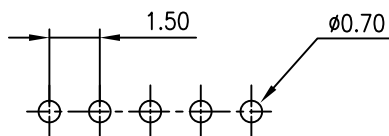
**NOTES**

Available in 02 through 13 Circuits  
 Material: Nylon 66 UL94-V0  
 Accepts YY-1160-T Crimp Terminal  
 Mates with YY-1160-H Series Housing  
 Pin Material: Brass/Tin-Plated

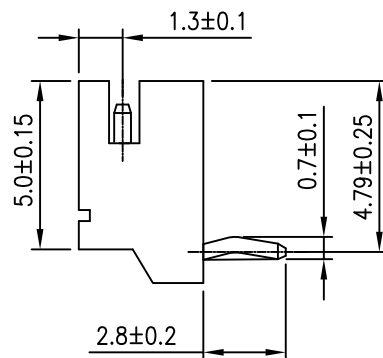
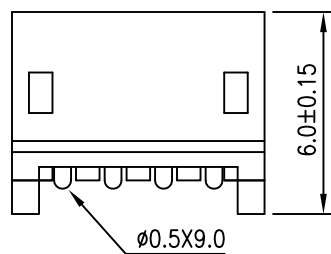
**ORDERING INFORMATION**

YY-1160 - W \*\* R T  
                                   1 2 3

- No. of Circuits 02~13
- Connect Type  
R : Right Angle  
T : Tin-Plated
- Plated



P.C.B LAYOUT



Circuits	Dimension mm		Circuits	Dimension mm	
	A	B		A	B
2	1.50	4.50	8	10.5	13.50
3	3.00	6.00	9	12.00	15.00
4	4.50	7.50	10	13.50	16.50
5	6.00	9.00	11	15.00	18.00
6	7.50	10.5	12	16.50	19.50
7	9.00	12.00	13	18.00	21.00

TOLERANCE	
X.	--
X.X	±0.20
X.XX	±0.15
X.XXX	±0.10
ANGULAR	--
APPROVALS	
DRAWN	Kang 27-June-2013
CHECKED	Denise 27-June-2013
APPROVED	Jessica 27-June-2013



**Young Yak Enterprise Co., Ltd.**

TITLE  
1.5mm(.059") Pitch  
Wire to Board Header

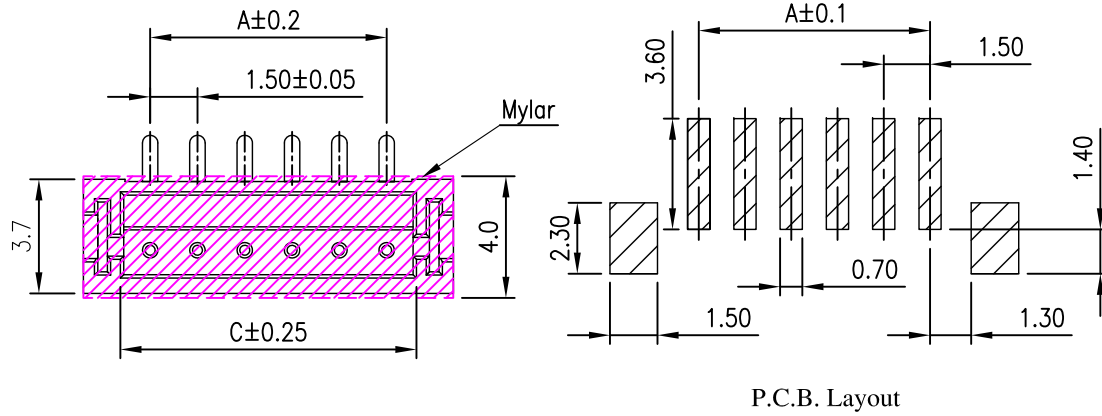
VIEW	SCALE	PART NO.	REV.
	F	YY-1160-W**RT	A0
UNIT	SIZE	DWG NO.	SHEET
MM	A4	YY-1160-W**RT-085	1 OF 1





C **YI** US E182481

REV	DESCRIPTION	DATE
A1	EN990310-1	2010.03.10
A2	EN000120-1	2011.01.20



**NOTES**

Available in 02 through 13 Circuits  
 Material: Nylon 6T UL94-V0  
 Mates with YY-1160-H Series Housing  
 PIN Material: Brass/Tin-Plated or Gold-Plated

**ORDERING INFORMATION**

**YY-1160 - S \*\* S \* \***  
**1 2 3 4 5**

- S : SMT
- No. of Circuits 02~13
- S : Straight  
T : Tin-Plated  
G : Gold-Plated
- Packing  
A : Tape & Reel  
A1 : Tape & Reel/With Mylar  
B : Tube Package  
C : Box Package

Circuits	Dimension mm			Circuits	Dimension mm		
	A	B	C		A	B	C
2	1.50	6.00	3.60	8	10.50	15.00	12.60
3	3.00	7.50	5.10	9	12.00	16.50	14.10
4	4.50	9.00	6.60	10	13.50	18.00	15.60
5	6.00	10.50	8.10	11	15.00	19.50	17.10
6	7.50	12.00	9.60	12	16.50	21.00	18.60
7	9.00	13.50	11.10	13	18.00	22.50	20.10

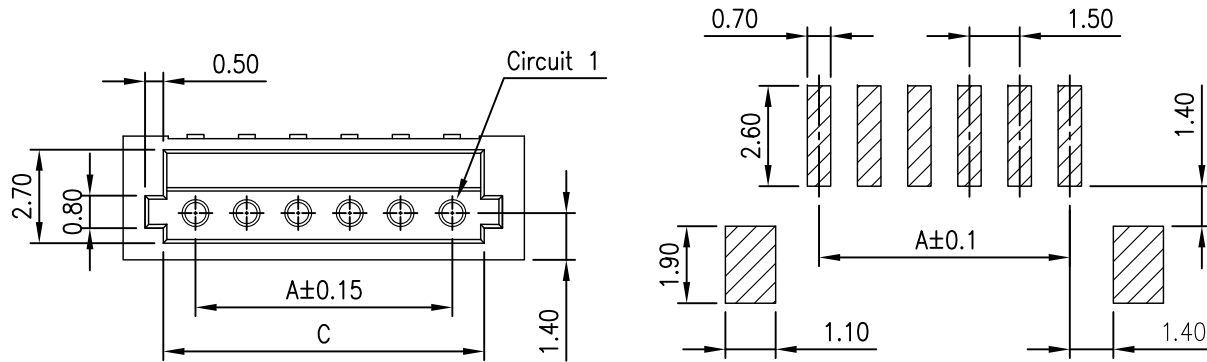
TOLERANCE					
X.	--	TITLE 1.5mm(.059") Pitch Wire to Board Header			
X.X	±0.30				
X.XX	±0.20				
X.XXX	--				
ANGULAR	--				
APPROVALS					
DRAWN	Frank	VIEW	SCALE	PART NO.	REV.
	01-February-2011		F	YY-1160-S**S**	A2
CHECKED	Denise	UNIT	SIZE	DWG NO.	SHEET
	01-February-2011	MM	A4	YY-1160-S**S**-043	1 OF 1
APPROVED	Jessica				
	01-February-2011				



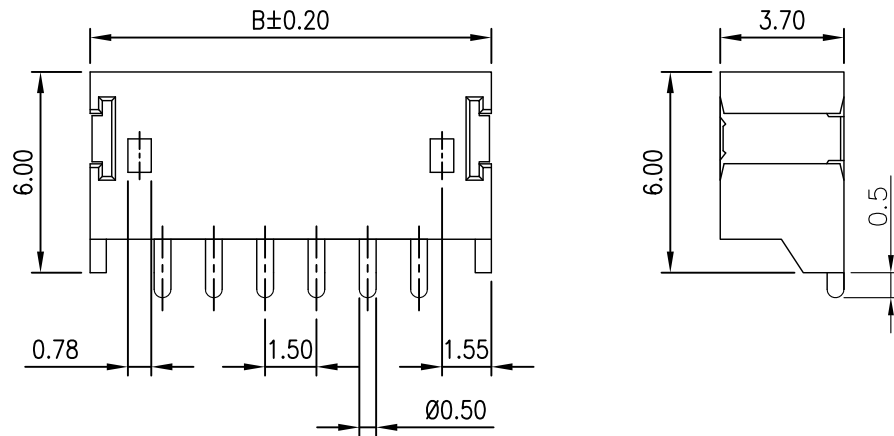


C **YI** US E182481

REV	DESCRIPTION	DATE
A1	EN990310-1	2010.03.10



P.C.B. Layout



**NOTES**

Available in 02 through 13 Circuits  
 Material: Nylon 6T UL94-V0  
 Mates with YY-1160-H Series Housing  
 PIN Materia: Brass/Tin-Plated

**ORDERING INFORMATION**

**YY-1160 - S \*\* R T \***  
1 2 3 4 5

1. S : SMT
2. No. of Circuits 02~13
3. R : Right
4. Plated  
T : Tin
5. Packing  
A : Tape & Reel  
B : Tube Package  
C : Box Package

Circuits	Dimension mm			Circuits	Dimension mm		
	A	B	C		A	B	C
2	1.50	6.00	3.60	8	10.50	15.00	12.60
3	3.00	7.50	5.10	9	12.00	16.50	14.10
4	4.50	9.00	6.60	10	13.50	18.00	15.60
5	6.00	10.50	8.10	11	15.00	19.50	17.10
6	7.50	12.00	9.60	12	16.50	21.00	18.60
7	9.00	13.50	11.10	13	18.00	22.50	20.10

TOLERANCE					
X.	--	<b>Young Yak Enterprise Co., Ltd.</b> TITLE 1.5mm(.059") Pitch Wire to Board Wafer			
X.X	±0.30				
X.XX	±0.20				
X.XXX	--				
ANGULAR	--				
APPROVALS					
DRAWN	Frank	VIEW	SCALE	PART NO.	REV.
	10-March-2010		F	YY-1160-S**RT*	A1
CHECKED	Denise	UNIT	SIZE	DWG NO.	SHEET
	10-March-2010	MM	A4	YY-1160-S**RT*-043	1 OF 1
APPROVED	Jessica				
	10-March-2010				

