



YUS E182481

REV	DESCRIPTION	DATE
A1	ECN-201210240002	2012.12.05

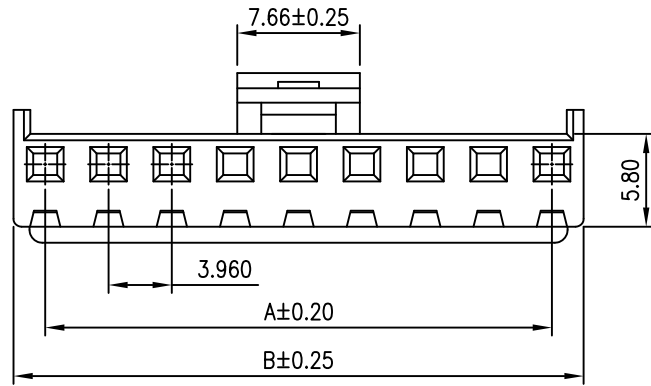
**NOTES**

Compliant with IEC 60335-1 & IEC 60695-2-11  
 End-Product GWT750°C No Flame  
 Available in 02 through 12 Circuits  
 Material: Nylon 66 UL94-V2  
 Accepts YY-2800-T Crimp Terminal  
 Mates with YY-2800-W\*\*S or  
 YY-2800-W\*\*R Series Header

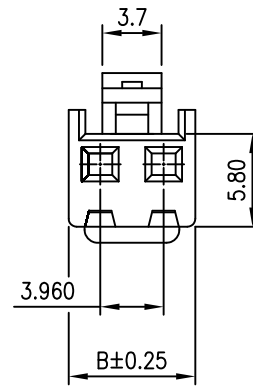
**ORDERING INFORMATION**

YY-2800 - H \*\* - GT  
 1 2

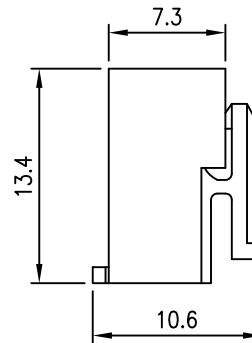
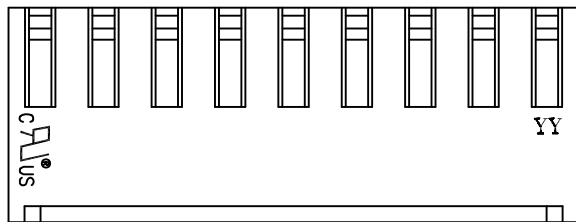
1. H : Housing
2. No. of Circuits 02~12



03~12P



02P



Circuits	Dimension mm		Circuits	Dimension mm	
	A	B		A	B
2	3.96	8.12	8	27.72	31.88
3	7.92	12.08	9	31.68	35.84
4	11.88	16.04	10	35.64	39.80
5	15.84	20.00	11	39.60	43.76
6	19.80	23.96	12	43.56	47.72
7	23.76	27.82	--	--	--

TOLERANCE		Young Yak Enterprise Co., Ltd.			
X.	--	TITLE 3.96mm(.156") Pitch Wire to Board Housing			
X.X	±0.25				
X.XX	±0.15				
X.XXX	±0.10				
ANGULAR	--				
APPROVALS					
DRAWN	Frank	VIEW	SCALE	PART NO.	REV.
	05-December-2012		F	YY-2800-H**-GT	A1
CHECKED	Kang	UNIT	SIZE	DWG NO.	SHEET
	05-December-2012	MM	A4	YY-2800-H**-GT-014	1 OF 1
APPROVED	Denise				
	05-December-2012				

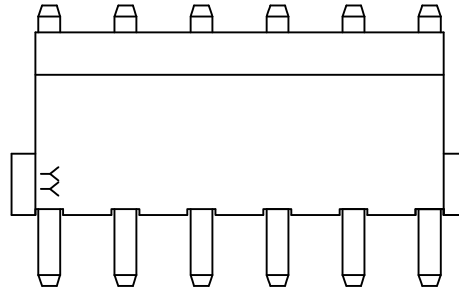
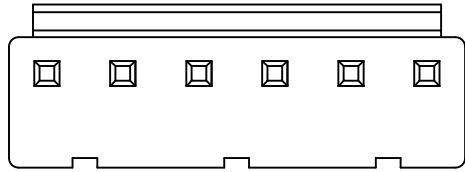


Customer Drawing



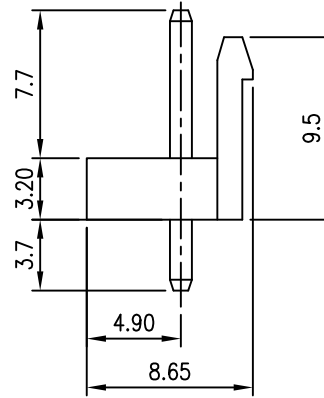
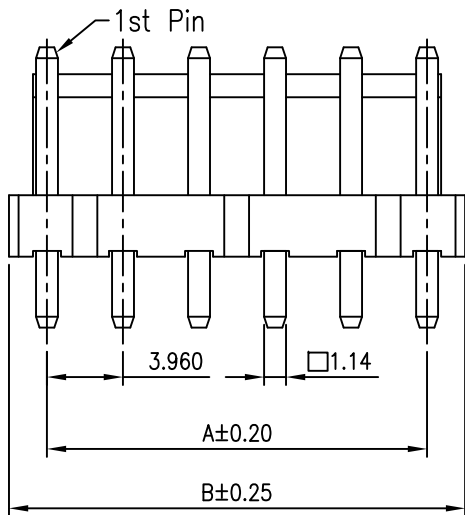
C **YI** US E182481

REV	DESCRIPTION	DATE
A1	EN980715-1	2009.07.15
A2	ECN-201210240002	2012.12.05



**NOTES**

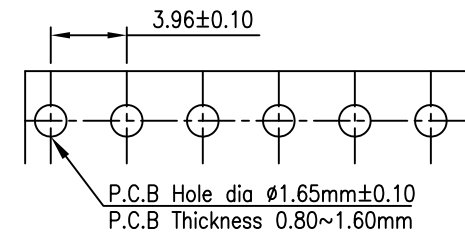
Compliant with IEC 60335-1 & IEC 60695-2-11  
 End-Product GWT750°C No Flame  
 Available in 02 through 12 Circuits  
 Housing Material: Nylon 66 UL94-V2  
 Mates with YY-2800-H Series Housing  
 1.14mm(.045") Square Pin  
 Pin Material: Brass/Tin-Plated or Gold-Plated



**ORDERING INFORMATION**

YY-2800 - W \*\* S \* - GT  
                   1 2 3

- No. of Circuits 02~12
- Contact Type  
S : Straight  
T : Tin  
G : Gold
- Plated



PCB LAYOUT

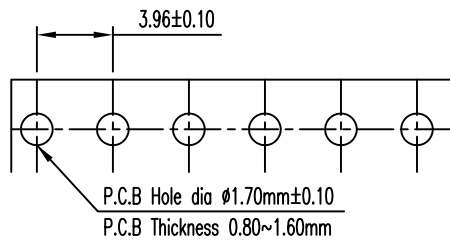
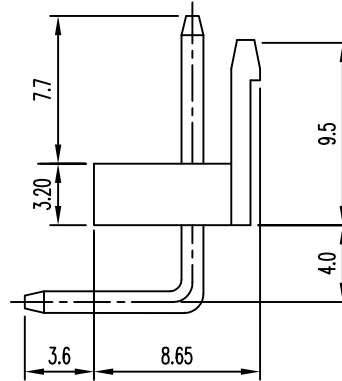
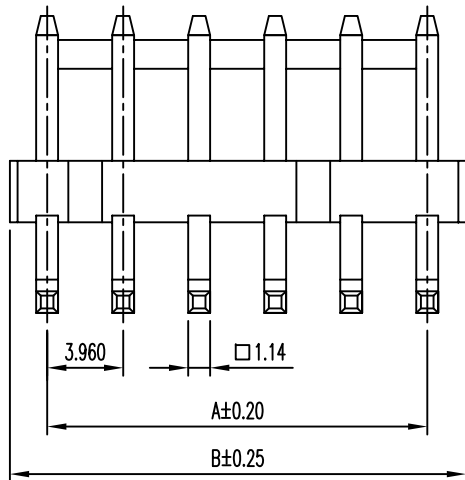
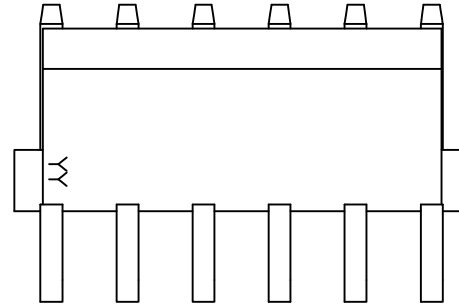
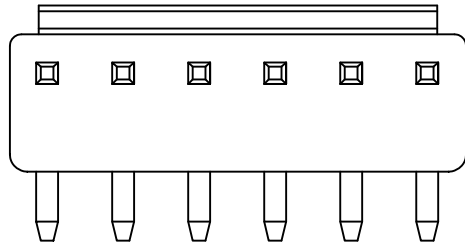
Circuits	Dimension mm		Circuits	Dimension mm	
	A	B		A	B
2	3.96	7.92	8	27.72	31.68
3	7.92	11.88	9	31.68	35.64
4	11.88	15.84	10	35.64	39.60
5	15.84	19.80	11	39.60	43.56
6	19.80	23.76	12	43.56	47.52
7	23.76	27.72	--	--	--

TOLERANCE		Young Yak Enterprise Co., Ltd.			
X.	--	TITLE 3.96mm(.156") Pitch Wire to Board Header			
X.X	±0.25				
X.XX	±0.15				
X.XXX	±0.08				
ANGULAR	--				
APPROVALS					
DRAWN	Frank	VIEW	SCALE	PART NO.	REV.
	05-December-2012		3:1	YY-2800-W***S-GT	A2
CHECKED	Kang	UNIT	SIZE	DWG NO.	SHEET
	05-December-2012	MM	A4	YY-2800-W***S-GT-014	1 OF 1
APPROVED	Denise				
	05-December-2012				





C **YI** US E182481



PCB LAYOUT

Circuits	Dimension mm		Circuits	Dimension mm	
	A	B		A	B
2	3.96	7.92	8	27.72	31.68
3	7.92	11.88	9	31.68	35.64
4	11.88	15.84	10	35.64	39.60
5	15.84	19.80	11	39.60	43.56
6	19.80	23.76	12	43.56	47.52
7	23.76	27.72	--	--	--

REV	DESCRIPTION	DATE
A1	EN980715-1	2009.07.15
A2	ECN-201210240002	2012.12.05

**NOTES**

Compliant with IEC 60335-1 & IEC 60695-2-11  
End-Product GWT750°C No Flame

Available in 02 through 12 Circuits

Housing Material: Nylon 66 UL94-V2

Mates with YY-2800-H Series Housing

1.14mm(.045") Square Pin

Pin Material: Brass/Tin-Plated or Gold-Plated

**ORDERING INFORMATION**

YY-2800 - W \*\* R \* - GT  
                  1    2    3

1. No. of Circuits 02~12

2. Contact Type  
R : Right Angle

3. Plated  
T : Tin  
G : Gold



**Young Yak Enterprise Co., Ltd.**

TITLE  
3.96mm(.156") Pitch  
Wire to Board Header

TOLERANCE		APPROVALS	
X.	--	DRAWN	Frank
X.X	±0.25	CHECKED	Kang
X.XX	±0.15	APPROVED	Denise
X.XXX	±0.10		
ANGULAR	--		
VIEW		SCALE	PART NO.
F		F	YY-2800-W**R*-GT
UNIT		SIZE	DWG NO.
MM		A4	YY-2800-W**R*-GT-014
REV.		SHEET	
A2		1 OF 1	

