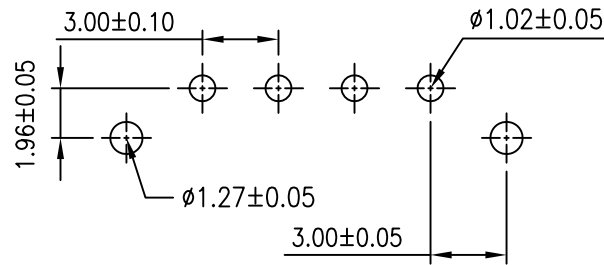
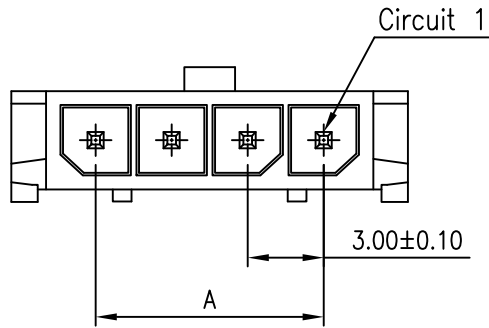


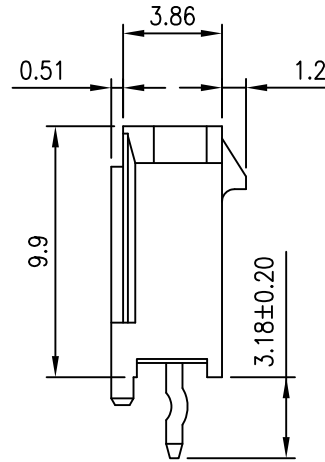
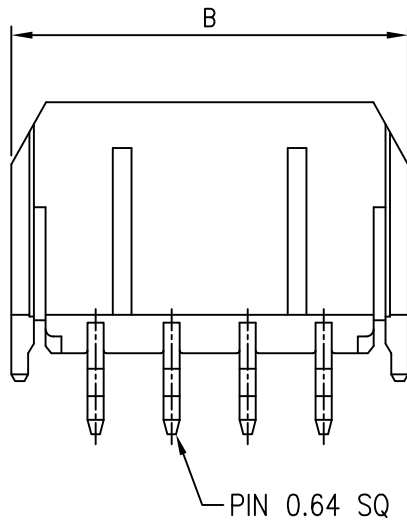


C US E182481

REV	DESCRIPTION	DATE
A1	EN990716-1	2010.07.16
A2	EN010626-2	2012.06.26



PCB LAYOUT



**NOTES**

- Available in 02 through 12 Circuits
- Material: LCP
- Mates with YY-5750-H\*\*S series housing
- 0.64mm(.025") Square Pin
- Pin Material: Brass/Tin-Plated
- Packing: Bag

**ORDERING INFORMATION**

YY-5950 - W \*\* S T S  
 1 2 3 4

- 1. No. of Circuits 02~12
- 2. S : Straight
- 3. Plated
- T : Tin
- 4. S : Single

Circuits	Dimension mm		Circuits	Dimension mm	
	A	B		A	B
2	3.0	9.65	8	21.0	27.65
3	6.0	12.65	9	24.0	30.65
4	9.0	15.65	10	27.0	33.65
5	12.0	18.65	11	30.0	36.65
6	15.0	21.65	12	33.0	39.65
7	18.0	24.65	--	--	--

TOLERANCE	
X.	--
X.X	±0.25
X.XX	±0.15
X.XXX	±0.05
ANGULAR	--
APPROVALS	
DRAWN	Frank 02-July-2012
CHECKED	Kang 02-July-2012
APPROVED	Denise 02-July-2012



**Young Yak Enterprise Co., Ltd.**

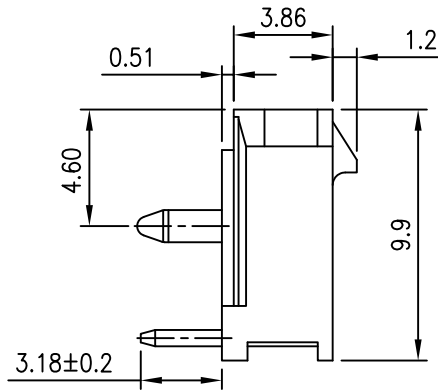
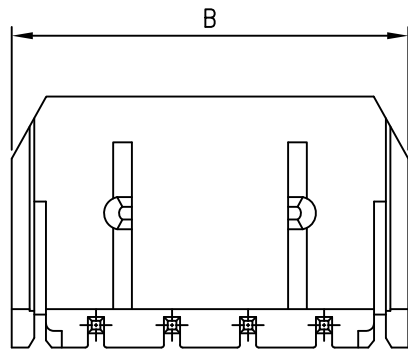
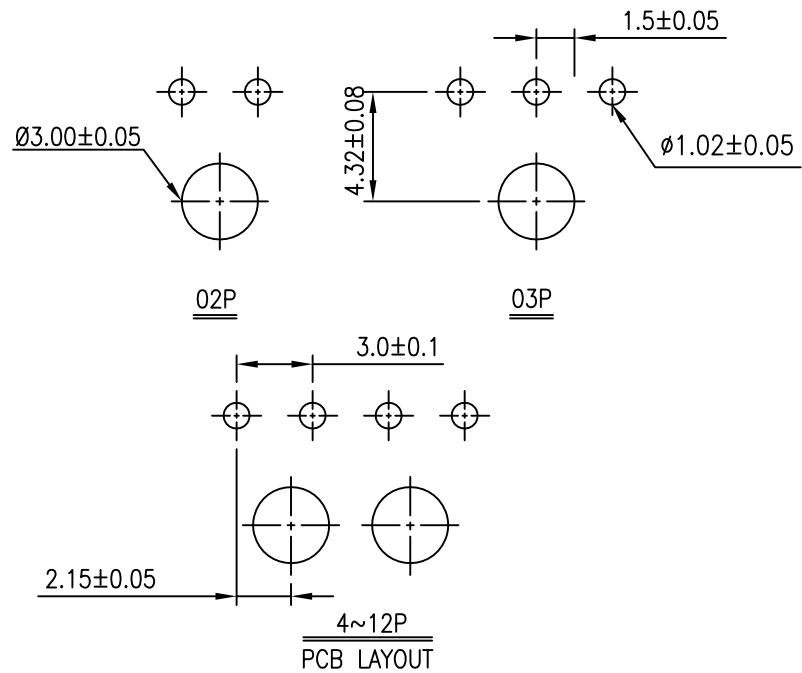
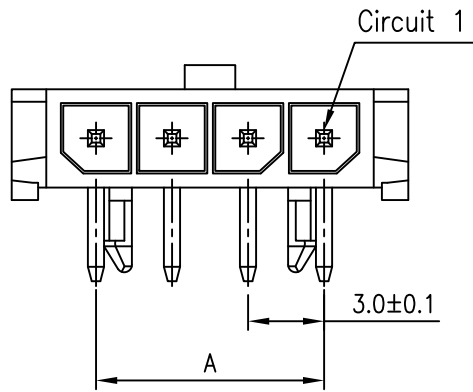
TITLE  
 3.0mm(.118") Pitch  
 Wire to Board Header

VIEW	SCALE	PART NO.	REV.
	F	YY-5950-W**STS	A2
UNIT	SIZE	DWG NO.	SHEET
MM	A4	YY-5950-W**STS-086	1 OF 1





C **RI** US E182481



Circuits	Dimension mm		Circuits	Dimension mm	
	A	B		A	B
2	3.0	9.65	8	21.0	27.65
3	6.0	12.65	9	24.0	30.65
4	9.0	15.65	10	27.0	33.65
5	12.0	18.65	11	30.0	36.65
6	15.0	21.65	12	33.0	39.65
7	18.0	24.65	--	--	--

REV	DESCRIPTION	DATE
A1	EN990716-1	2010.07.16
A2	EN010405-1	2012.04.05

**NOTES**

Available in 02 through 12 Circuits  
 Material: LCP UL94-V0  
 Mates with YY-5750-H\*\*S series housing  
 0.625mm(.0246") Square Pin  
 Pin Material: Brass/Tin-Plated  
 Packing: Bag

**ORDERING INFORMATION**

**YY-5950 - W \*\* R T S**  
**1 2 3 4**

- No. of Circuits 02~12
- R : Right Angle
- Plated  
 T : Tin
- S : Single

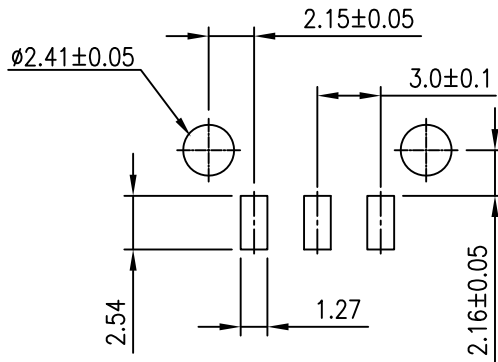
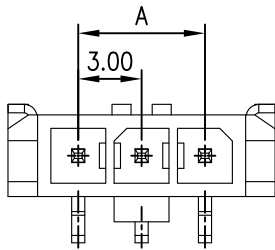


TOLERANCE					
X.	--	<b>Young Yak Enterprise Co., Ltd.</b> TITLE 3.0mm(.118") Pitch Wire to Board Header			
X.X	±0.25				
X.XX	±0.15				
X.XXX	±0.05				
ANGULAR	--				
APPROVALS					
DRAWN	Joan 30-March-2012	VIEW	SCALE	PART NO.	REV.
CHECKED	Denise 30-March-2012		F	YY-5950-W**RTS	A2
APPROVED	Jessica 30-March-2012	UNIT	SIZE	DWG NO.	SHEET
		MM	A4	YY-5950-W**RTS-086	1 OF 1

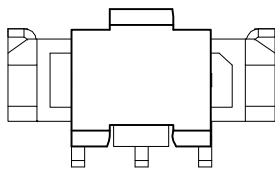
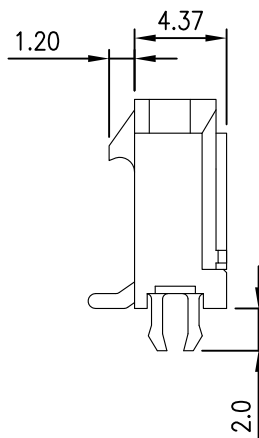
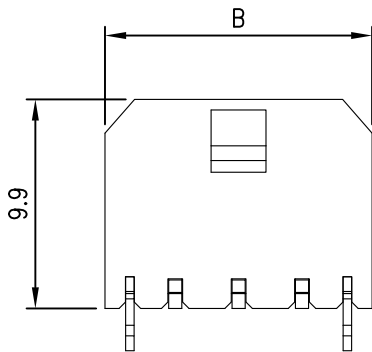


C **RI** US E182481

REV	DESCRIPTION	DATE
A2	EN990716-1	2010.07.16
A3	EN010626-2	2012.06.26



PCB LAYOUT



Shown with disposable cap

**NOTES**

Available in 02 through 12 Circuits

Material: LCP

Mates with YY-5750-H\*\*S series housing

Pin Material: Brass/Tin-Plated

Packing: Tape & Reel

**ORDERING INFORMATION**

**YY-5950 - S \*\* S T S N A**

**1 2 3 4 5 6**

- 1. S : SMT
- 2. No. of Circuits 02~12
- 3. S : Straight
- 4. Plated  
T : Tin
- 5. S : Single Row
- 6. Type  
N : Board Lock

Circuits	Dimension mm		Circuits	Dimension mm	
	A	B		A	B
2	3.0	9.65	8	21.0	27.65
3	6.0	12.65	9	24.0	30.65
4	9.0	15.65	10	27.0	33.65
5	12.0	18.65	11	30.0	36.65
6	15.0	21.65	12	33.0	39.65
7	18.0	24.65	--	--	--

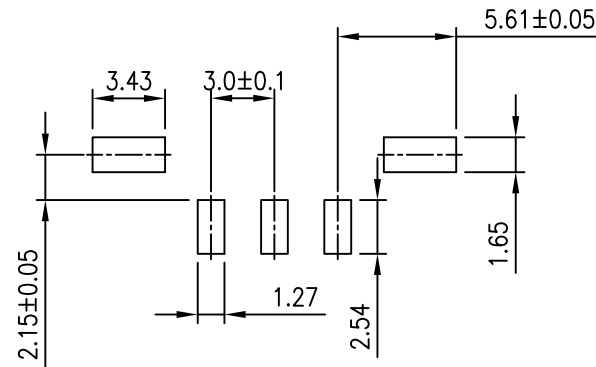
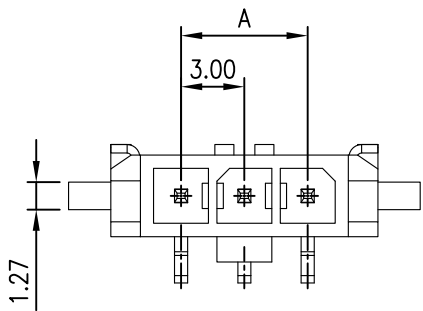
<b>TOLERANCE</b> X. -- X.X ±0.25 X.XX ±0.15 X.XXX ±0.05 ANGULAR --		<b>Young Yak Enterprise Co., Ltd.</b>  TITLE 3.0mm(.118") Pitch Wire to Board Header			
<b>APPROVALS</b> DRAWN Frank 02-July-2012 CHECKED Kang 02-July-2012 APPROVED Denise 02-July-2012					
		UNIT MM	SIZE A4	DWG NO. YY-5950-S**STSNA-086	SHEET 1 OF 1



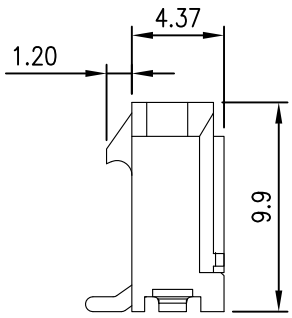
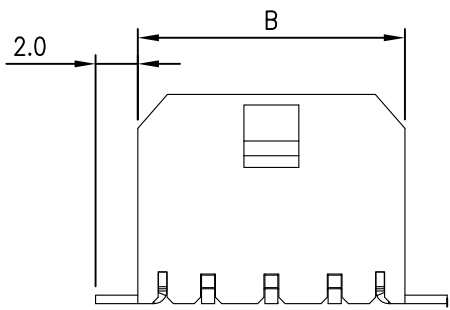


C **RI** US E182481

REV	DESCRIPTION	DATE
A2	EN990716-1	2010.07.16
A3	EN010626-2	2012.06.26



PCB LAYOUT



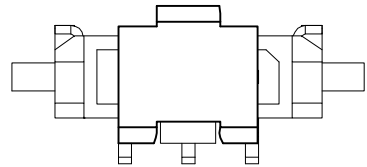
**NOTES**

- Available in 02 through 12 Circuits
- ⚠ Material: LCP
- Mates with YY-5750-H\*\*S series housing
- Pin Material: Brass/Tin-Plated
- Packing: Tape & Reel

**ORDERING INFORMATION**

**YY-5950 - S \*\* S T S A**  
1 2 3 4 5

- 1. S : SMT
- 2. No. of Circuits 02~12
- 3. S : Straight
- 4. Plated
- T : Tin
- 5. S : Single Row



Shown with disposable cap



Circuits	Dimension mm		Circuits	Dimension mm	
	A	B		A	B
2	3.0	9.65	8	21.0	27.65
3	6.0	12.65	9	24.0	30.65
4	9.0	15.65	10	27.0	33.65
5	12.0	18.65	11	30.0	36.65
6	15.0	21.65	12	33.0	39.65
7	18.0	24.65	--	--	--

TOLERANCE					
X.	--	<b>Young Yak Enterprise Co., Ltd.</b> TITLE: 3.0mm(.118") Pitch Wire to Board Header			
X.X	±0.25				
X.XX	±0.15				
X.XXX	±0.05				
ANGULAR	--				
APPROVALS					
DRAWN	Frank	VIEW	SCALE	PART NO.	REV.
	26-June-2012		3:1	YY-5950-S**STSA	A3
CHECKED	Kang	UNIT	SIZE	DWG NO.	SHEET
	26-June-2012	MM	A4	YY-5950-S**STSA-086	1 OF 1
APPROVED	Denise				
	26-June-2012				



C **RI** US E182481

REV	DESCRIPTION	DATE
A2	EN990716-1	2010.07.16
A3	EN010626-2	2012.06.26

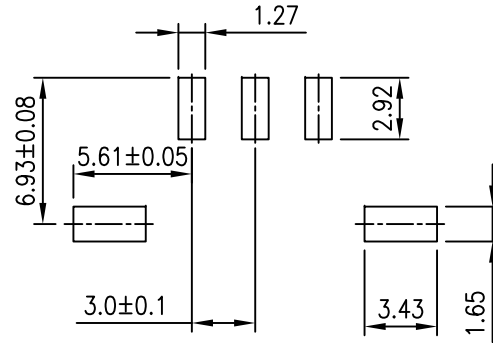
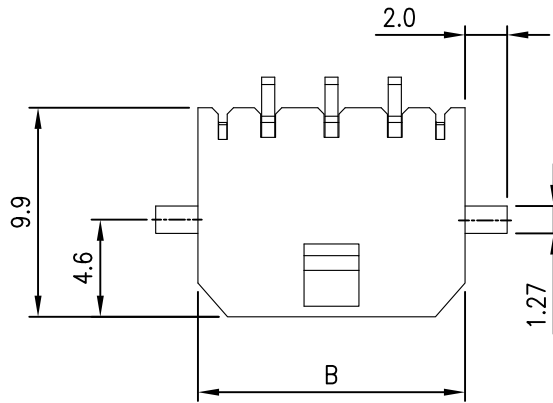
**NOTES**

- Available in 02 through 12 Circuits
- ⚠ Material: LCP
- Mates with YY-5750-H\*\*S series housing
- Pin Material: Brass/Tin-Plated
- Packing: Tape & Reel

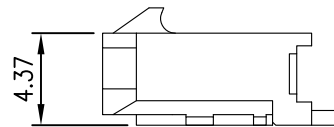
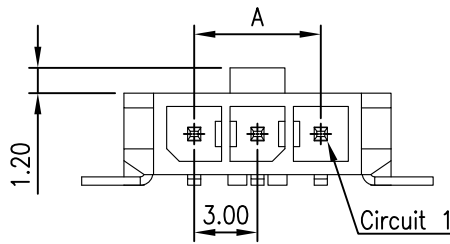
**ORDERING INFORMATION**

**YY-5950 - S \*\* R T S A**  
**1 2 3 4 5**

- 1. S : SMT
- 2. No. of Circuits 02~12
- 3. R : Right Angle
- 4. Plated  
  - T : Tin
- 5. S : Single Row



PCB LAYOUT



Circuits	Dimension mm		Circuits	Dimension mm	
	A	B		A	B
2	3.0	9.65	8	21.0	27.65
3	6.0	12.65	9	24.0	30.65
4	9.0	15.65	10	27.0	33.65
5	12.0	18.65	11	30.0	36.65
6	15.0	21.65	12	33.0	39.65
7	18.0	24.65	--	--	--

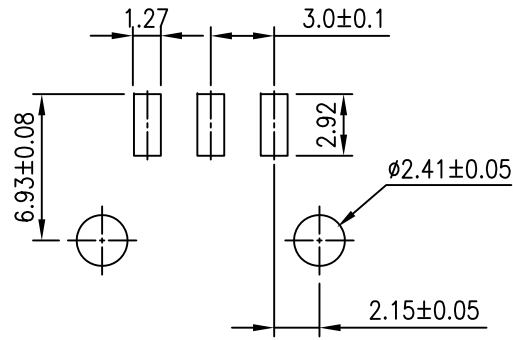
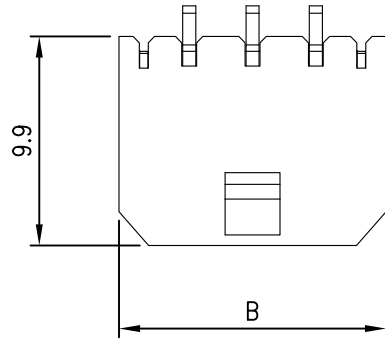
TOLERANCE		<b>Young Yak Enterprise Co., Ltd.</b>			
X.	--	TITLE 3.0mm(.118") Pitch Wire to Board Header			
X.X	±0.25				
X.XX	±0.15				
X.XXX	±0.05				
ANGULAR	--				
APPROVALS					
DRAWN	Frank	VIEW	SCALE	PART NO.	REV.
	02-July-2012		3:1	YY-5950-S**RTSA	A3
CHECKED	Kang	UNIT	SIZE	DWG NO.	SHEET
	02-July-2012	MM	A4	YY-5950-S**RTSA-086	1 OF 1
APPROVED	Denise				
	02-July-2012				



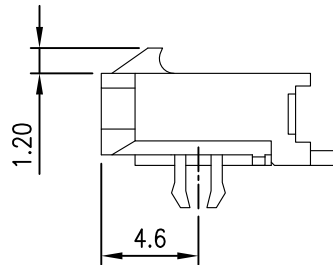
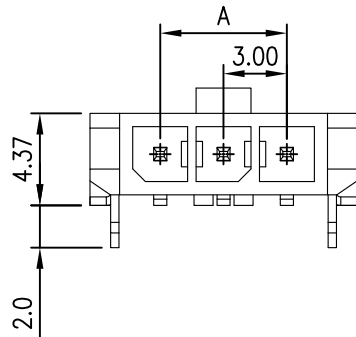


C **YI** US E182481

REV	DESCRIPTION	DATE
A2	EN990716-1	2010.07.16
A3	EN010626-2	2012.06.26



PCB LAYOUT



**NOTES**

- Available in 02 through 12 Circuits
- ⚠ Material: LCP
- Mates with YY-5750-H\*\*S series housing
- Pin Material: Brass/Tin-Plated
- Packing: Tape & Reel

**ORDERING INFORMATION**

**YY-5950 - S \*\* R T S N A**  
1 2 3 4 5 6

- 1. S : SMT
- 2. No. of Circuits 02~24
- 3. R : Right Angle
- 4. Plated  
T : Tin
- 5. S : Single Row
- 6. Type  
N : Board Lock

Circuits	Dimension mm		Circuits	Dimension mm	
	A	B		A	B
2	3.0	9.65	8	21.0	27.65
3	6.0	12.65	9	24.0	30.65
4	9.0	15.65	10	27.0	33.65
5	12.0	18.65	11	30.0	36.65
6	15.0	21.65	12	33.0	39.65
7	18.0	24.65	--	--	--

TOLERANCE					
X.	--	TITLE 3.0mm(.118") Pitch Wire to Board Header			
X.X	±0.25				
X.XX	±0.15				
X.XXX	±0.05				
ANGULAR	--				
APPROVALS					
DRAWN	Frank 02-July-2012	VIEW	SCALE	PART NO.	REV.
CHECKED	Kang 02-July-2012		F	YY-5950-S**RTSNA	A3
APPROVED	Denise 02-July-2012	UNIT	SIZE	DWG NO.	SHEET
		MM	A4	YY-5950-S**RTSNA-086	1 OF 1



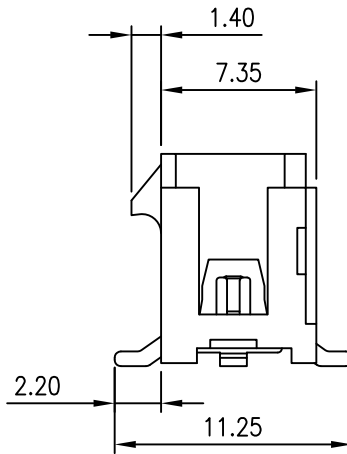
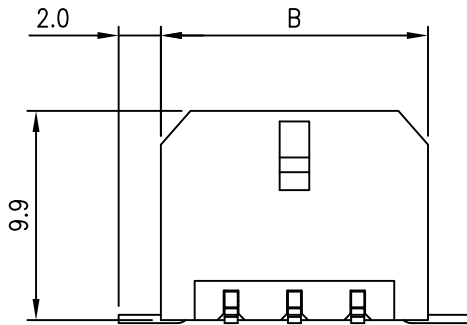
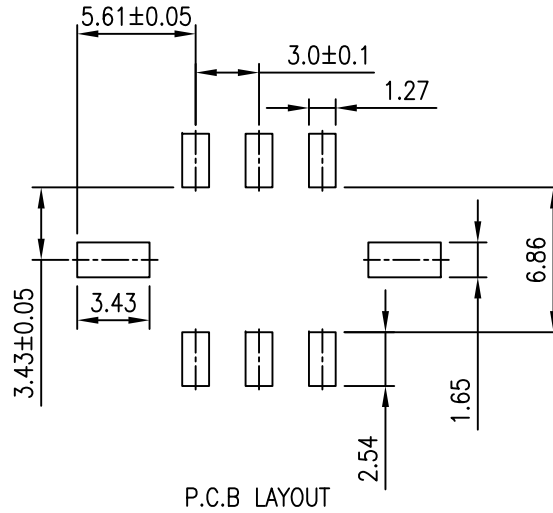
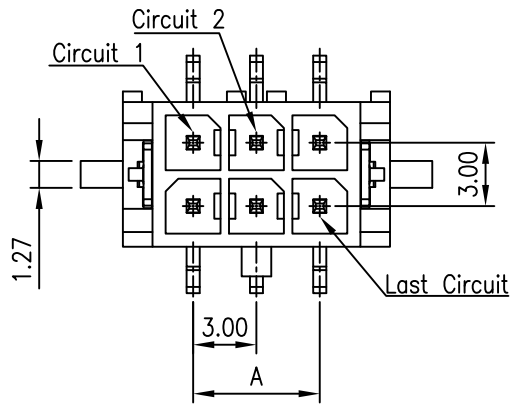








C **YI** US E182481



Circuits	Dimension mm		Circuits	Dimension mm	
	A	B		A	B
2	--	6.65	14	18.00	24.65
4	3.00	9.65	16	21.00	27.65
6	6.00	12.65	18	24.00	30.65
8	9.00	15.65	20	27.00	33.65
10	12.00	18.65	22	30.00	36.65
12	15.00	21.65	24	33.00	39.65

REV	DESCRIPTION	DATE
A1	EN980116-1	2009.01.16
A2	EN990716-1	2010.07.16

**NOTES**

Available in 02 through 24 Circuits  
 Material: LCP  
 Mates with YY-5750-H series housing  
 0.64mm(.025") Square Pin  
 Pin Material: Brass/Tin-Plated  
 Packing: Tape & Reel

**ORDERING INFORMATION**

YY-5950 - S \*\* S T A  
 1 2 3 4

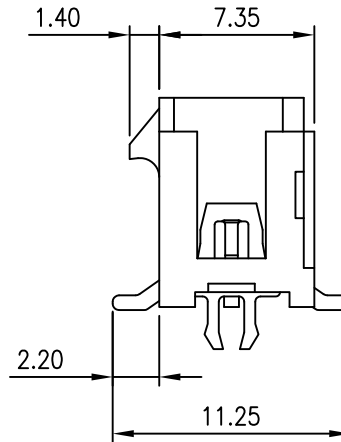
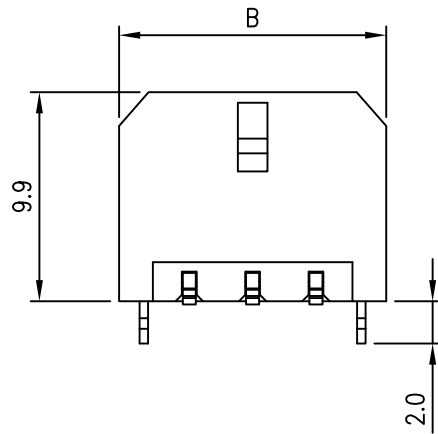
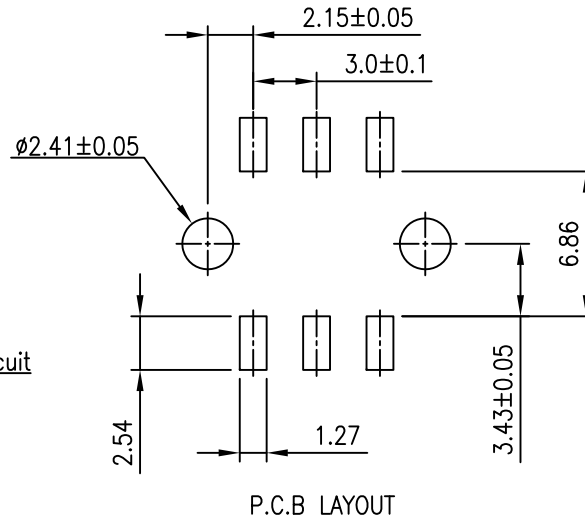
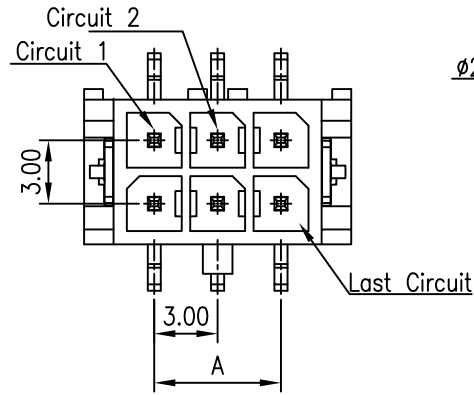
- 1. S : SMT
- 2. No. of Circuits 02~24
- 3. S : Straight
- 4. Plated
- T : Tin



TOLERANCE					
X.	--	TITLE 3.0mm(.118") Pitch Wire to Board Header			
X.X	±0.25				
X.XX	±0.15				
X.XXX	±0.05				
ANGULAR	--				
APPROVALS					
DRAWN	Frank 16-July-2010	VIEW	SCALE	PART NO.	REV.
CHECKED	Denise 16-July-2010		3:1	YY-5950-S**STA	A2
APPROVED	Jessica 16-July-2010	UNIT	SIZE	DWG NO.	SHEET
		MM	A4	YY-5950-S**STA-086	1 OF 1



C **YI** US E182481



Circuits	Dimension mm		Circuits	Dimension mm	
	A	B		A	B
2	--	6.65	14	18.00	24.65
4	3.00	9.65	16	21.00	27.65
6	6.00	12.65	18	24.00	30.65
8	9.00	15.65	20	27.00	33.65
10	12.00	18.65	22	30.00	36.65
12	15.00	21.65	24	33.00	39.65

REV	DESCRIPTION	DATE
A1	EN980116-1	2009.01.16
A2	EN990716-1	2010.07.16

**NOTES**

Available in 02 through 24 Circuits  
 Material: LCP  
 Mates with YY-5750-H series housing  
 0.64mm(.025") Square Pin  
 Pin Material: Brass/Tin-Plated  
 Packing: Tape & Reel

**ORDERING INFORMATION**

**YY-5950 - S \*\* S T N A**  
**1 2 3 4 5**

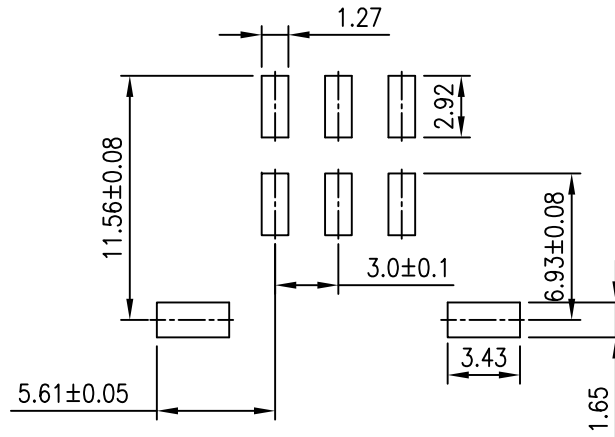
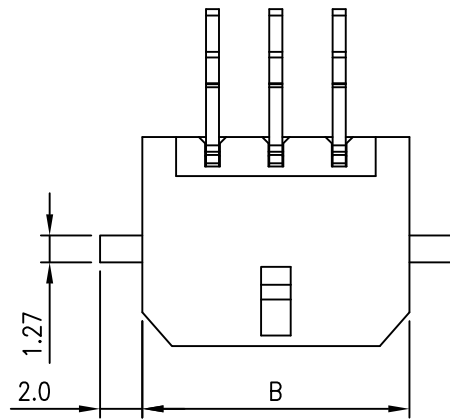
- 1. S : SMT
- 2. No. of Circuits 02~24
- 3. S : Straight
- 4. Plated  
     T : Tin
- 5. Type  
     N : Board Lock



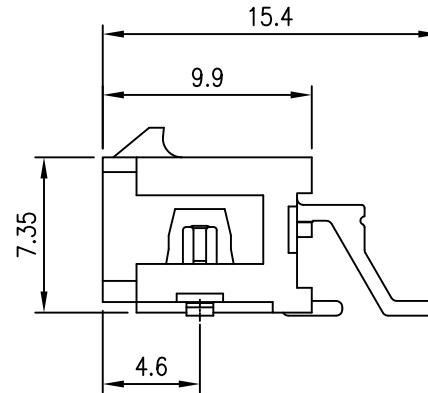
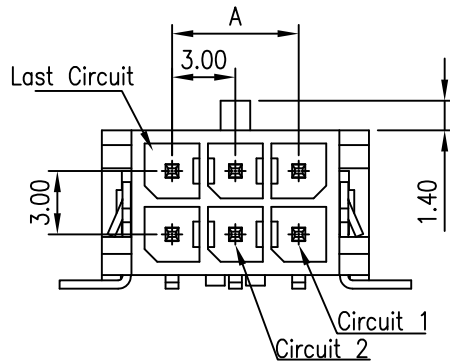
TOLERANCE					
X.	--	<b>Young Yak Enterprise Co., Ltd.</b> TITLE: 3.0mm(.118") Pitch Wire to Board Header			
X.X	±0.25				
X.XX	±0.15				
X.XXX	±0.05				
ANGULAR	--				
APPROVALS					
DRAWN	Frank 16-July-2010	VIEW	SCALE	PART NO.	REV.
CHECKED	Denise 16-July-2010		3:1	YY-5950-S**STNA	A2
APPROVED	Jessica 16-July-2010	UNIT	SIZE	DWG NO.	SHEET
		MM	A4	YY-5950-S**STNA-086	1 OF 1



C **RI** US E182481



P.C.B LAYOUT



Circuits	Dimension mm		Circuits	Dimension mm	
	A	B		A	B
2		6.65	14	18.00	24.65
4	3.00	9.65	16	21.00	27.65
6	6.00	12.65	18	24.00	30.65
8	9.00	15.65	20	27.00	33.65
10	12.00	18.65	22	30.00	36.65
12	15.00	21.65	24	33.00	39.65

REV	DESCRIPTION	DATE
A1	EN980116-1	2009.01.16
A2	EN990716-1	2010.07.16

**NOTES**

Available in 02 through 24 Circuits  
 Material: LCP  
 Mates with YY-5750-H series housing  
 0.64mm(.025") Square Pin  
 Pin Material: Brass/Tin-Plated  
 Packing: Tape & Reel

**ORDERING INFORMATION**

**YY-5950 - S \*\* R T A**  
**1 2 3 4**

1. S : SMT
2. No. of Circuits 02~24
3. R : Right Angle
4. Plated  
 T : Tin



TOLERANCE	
X.	--
X.X	±0.25
X.XX	±0.15
X.XXX	±0.05
ANGULAR	--
APPROVALS	
DRAWN	Frank 16-July-2010
CHECKED	Denise 16-July-2010
APPROVED	Jessica 16-July-2010



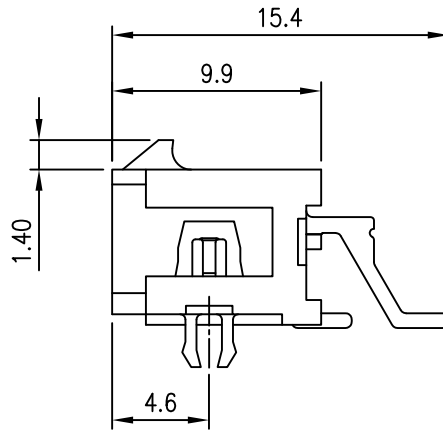
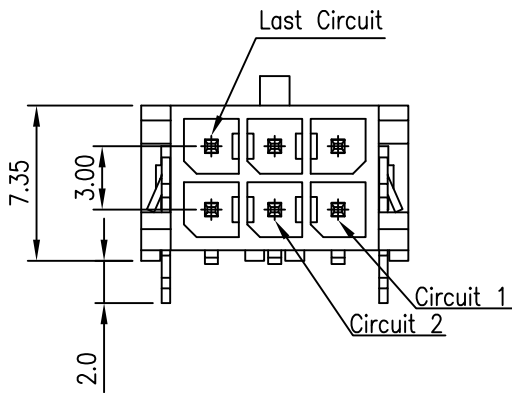
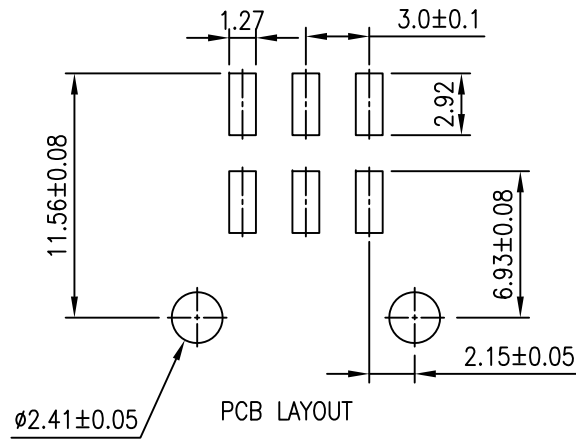
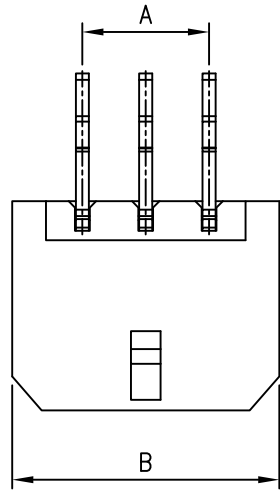
**Young Yak Enterprise Co., Ltd.**

TITLE  
 3.0mm(.118") Pitch  
 Wire to Board Header

VIEW	SCALE	PART NO.	REV.
	3:1	YY-5950-S**RTA	A2
UNIT	SIZE	DWG NO.	SHEET
MM	A4	YY-5950-S**RTA-086	1 OF 1



C **RI** US E182481



Circuits	Dimension mm		Circuits	Dimension mm	
	A	B		A	B
2	--	6.65	14	18.00	24.65
4	3.00	9.65	16	21.00	27.65
6	6.00	12.65	18	24.00	30.65
8	9.00	15.65	20	27.00	33.65
10	12.00	18.65	22	30.00	36.65
12	15.00	21.65	24	33.00	39.65

REV	DESCRIPTION	DATE
A1	EN980116-1	2009.01.16
A2	EN990716-1	2010.07.16

**NOTES**

Available in 02 through 24 Circuits  
 Material: LCP  
 Mates with YY-5750-H series housing  
 0.64mm(.025") Square Pin  
 Pin Material: Brass/Tin-Plated  
 Packing: Tape & Reel

**ORDERING INFORMATION**

**YY-5950 - S \*\* R T N A**  
**1 2 3 4 5**

- S : SMT
- No. of Circuits 02~24
- R : Right Angle
- Plated  
T : Tin
- Type  
N : Board Lock



TOLERANCE					
X.	--	<b>Young Yak Enterprise Co., Ltd.</b> TITLE: 3.0mm(.118") Pitch Wire to Board Header			
X.X	±0.25				
X.XX	±0.15				
X.XXX	±0.05				
ANGULAR	--				
APPROVALS					
DRAWN	Frank 16-July-2010	VIEW	SCALE	PART NO.	REV.
CHECKED	Denise 16-July-2010		3:1	YY-5950-S**RTNA	A2
APPROVED	Jessica 16-July-2010	UNIT	SIZE	DWG NO.	SHEET
		MM	A4	YY-5950-S**RTNA-086	1 OF 1