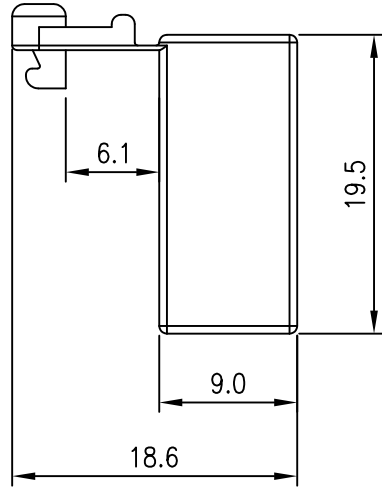
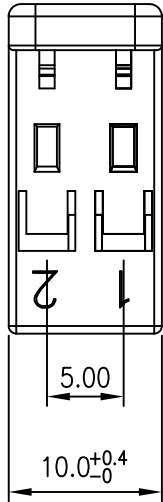




C **RI** US E182481

| REV | DESCRIPTION | DATE |
|-----|-------------|------|
| | | |



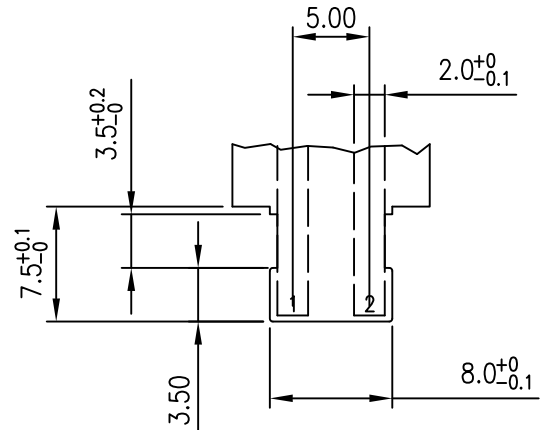
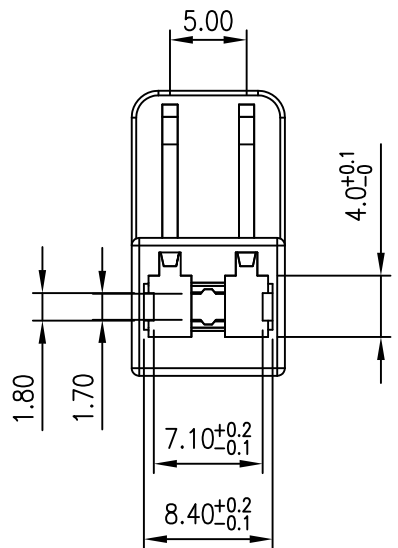
NOTES

Compliant with IEC 60335-1 & IEC 60695-2-11
 End-Product GWT750°C No Flame
 Material: Nylon 66 UL 94-V0
 Accepts YY-A5001-T Crimp Terminal

ORDERING INFORMATION

YY-A5001 - H 02
 1 2

- 1. H : Housing
- 2. No. of Circuits 02



P.C.B LAYOUT
 (PCB Thickness:1.5±0.1)

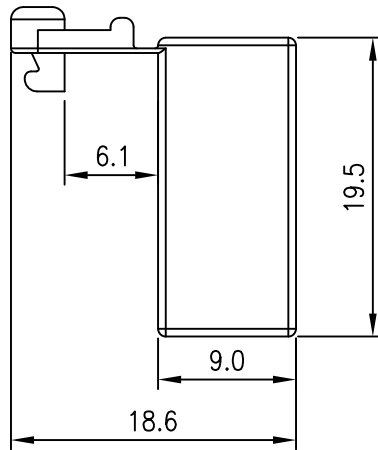
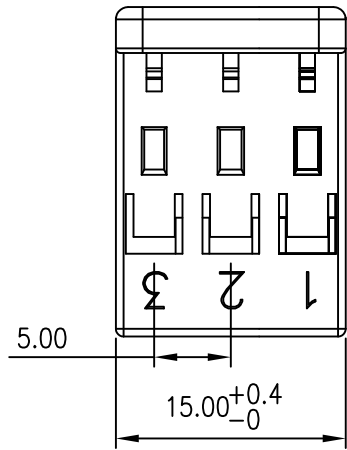


| TOLERANCE | | Young Yak Enterprise Co.,Ltd. TITLE 5.0mm Fork-Type PCB Edge Card Connectors | | | |
|-----------|-----------------|--------------------------------------------------------------------------------------------------|-------|------------------|--------|
| X. | -- | | | | |
| X.X | ±0.20 | | | | |
| X.XX | ±0.10 | | | | |
| X.XXX | ±0.05 | | | | |
| ANGULAR | -- | | | | |
| APPROVALS | | | | | |
| DRAWN | Frank | VIEW | SCALE | PART NO. | REV. |
| | 23-October-2009 | | F | YY-A5001-H02 | A0 |
| CHECKED | Denise | UNIT | SIZE | DWG NO. | SHEET |
| | 23-October-2009 | MM | A4 | YY-A5001-H02-014 | 1 OF 1 |
| APPROVED | Jessica | | | | |
| | 23-October-2009 | | | | |



C US E182481

| REV | DESCRIPTION | DATE |
|-----|-------------|------|
| | | |



NOTES

Compliant with IEC 60335-1 & IEC 60695-2-11
End-Product GWT750°C No Flame

Material: Nylon 66 UL 94-V0

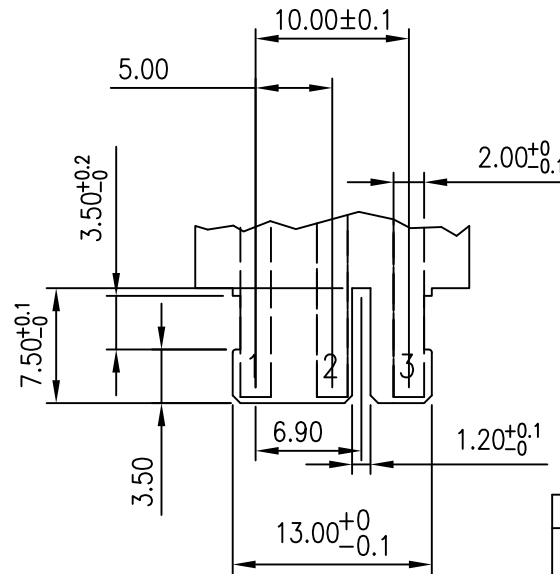
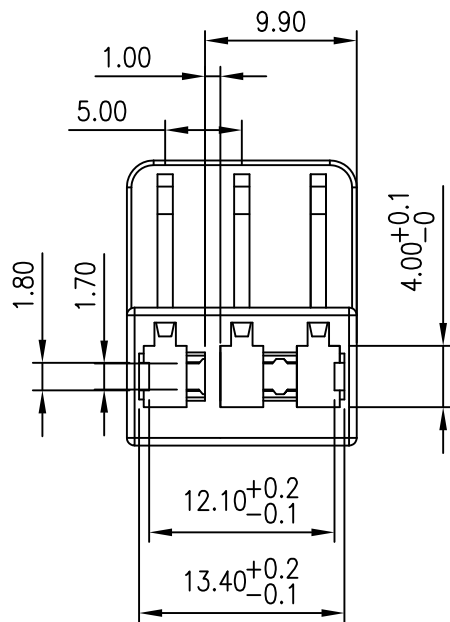
Accepts YY-A5001-T Crimp Terminal

ORDERING INFORMATION

YY-A5001 - H 03
1 2

1. H : Housing

2. No. of Circuits 03



P.C.B LAYOUT
(PCB Thickness:1.5±0.1)

TOLERANCE

| | |
|---------|-------|
| X. | -- |
| X.X | ±0.20 |
| X.XX | ±0.10 |
| X.XXX | ±0.05 |
| ANGULAR | -- |



Young Yak Enterprise Co.,Ltd.

TITLE

5.0mm Fork-Type PCB Edge
Card Connectors

APPROVALS

| | |
|----------|-----------------|
| DRAWN | Frank |
| | 23-October-2009 |
| CHECKED | Denise |
| | 23-October-2009 |
| APPROVED | Jessica |
| | 23-October-2009 |



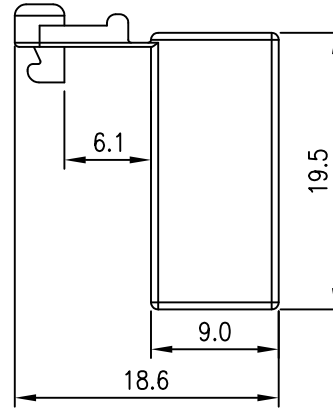
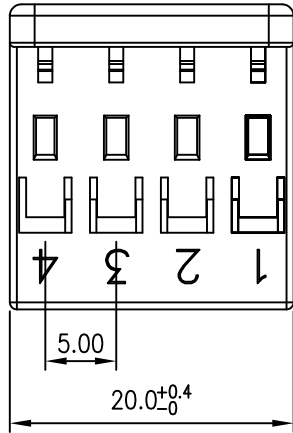
| | | | |
|------|-------|------------------|--------|
| VIEW | SCALE | PART NO. | REV. |
| | F | YY-A5001-H03 | A0 |
| UNIT | SIZE | DWG NO. | SHEET |
| MM | A4 | YY-A5001-H03-014 | 1 OF 1 |





C **RI** US E182481

| REV | DESCRIPTION | DATE |
|-----|-------------|------|
| | | |



NOTES

Compliant with IEC 60335-1 & IEC 60695-2-11
End-Product GWT750°C No Flame

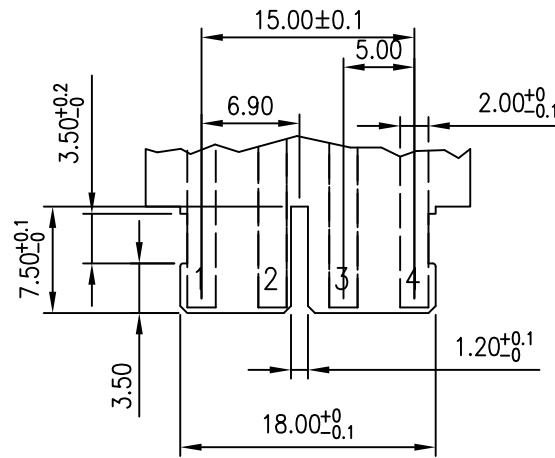
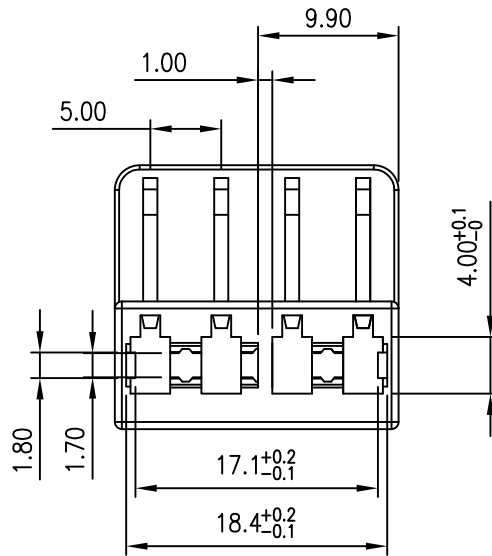
Material: Nylon 66 UL 94-V0

Accepts YY-A5001-T Crimp Terminal

ORDERING INFORMATION

YY-A5001 - H 04
1 2

- 1. H : Housing
- 2. No. of Circuits 04



P.C.B LAYOUT
(PCB Thickness:1.5±0.1)

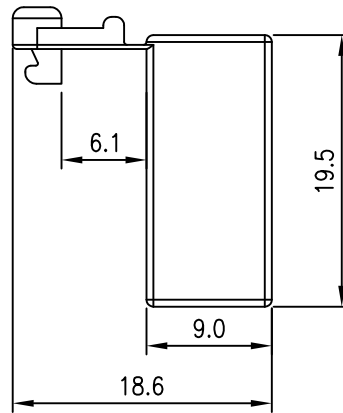
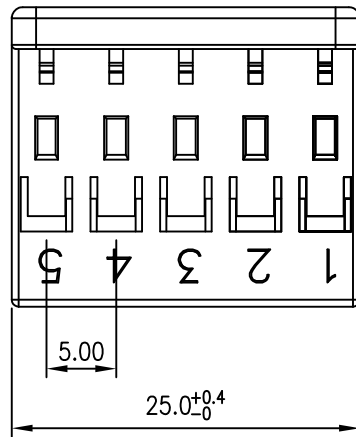
| TOLERANCE | | <p>Young Yak Enterprise Co.,Ltd.</p> <p>TITLE 5.0mm Fork-Type PCB Edge Card Connectors</p> | | | |
|-----------|-----------------|-------------------------------------------------------------------------------------------------------|-------|------------------|--------|
| X. | -- | | | | |
| X.X | ±0.20 | | | | |
| X.XX | ±0.10 | | | | |
| X.XXX | ±0.05 | | | | |
| ANGULAR | -- | | | | |
| APPROVALS | | | | | |
| DRAWN | Frank | VIEW | SCALE | PART NO. | REV. |
| | 23-October-2009 | | F | YY-A5001-H04 | A0 |
| CHECKED | Denise | UNIT | SIZE | DWG NO. | SHEET |
| | 23-October-2009 | MM | A4 | YY-A5001-H04-014 | 1 OF 1 |
| APPROVED | Jessica | | | | |
| | 23-October-2009 | | | | |





C **RI** US E182481

| REV | DESCRIPTION | DATE |
|-----|-------------|------|
| | | |



NOTES

Compliant with IEC 60335-1 & IEC 60695-2-11
End-Product GWT750°C No Flame

Material: Nylon 66 UL 94-V0

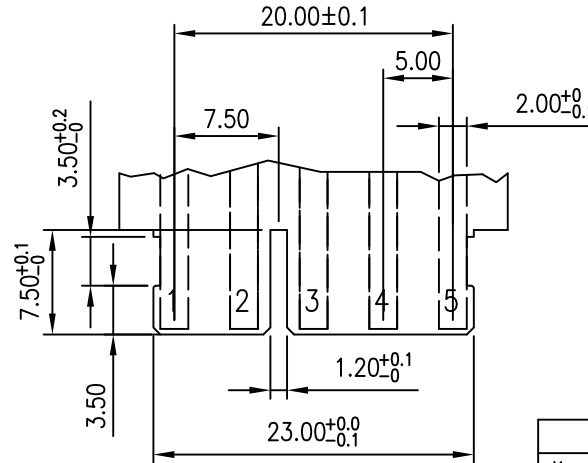
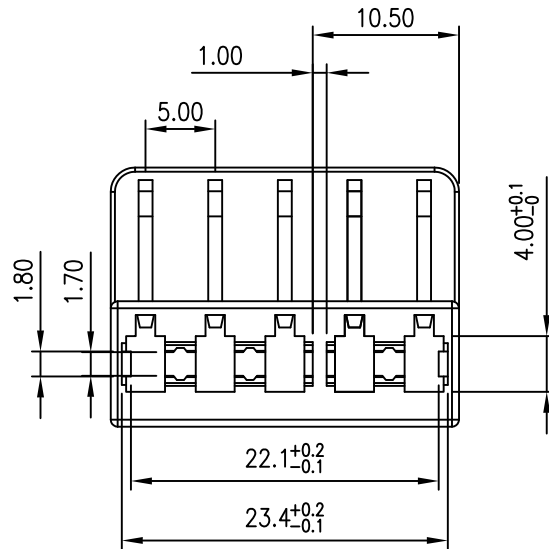
Accepts YY-A5001-T Crimp Terminal

ORDERING INFORMATION

YY-A5001 - H 05
1 2

1. H : Housing

2. No. of Circuits 05



P.C.B LAYOUT
(PCB Thickness:1.5±0.1)

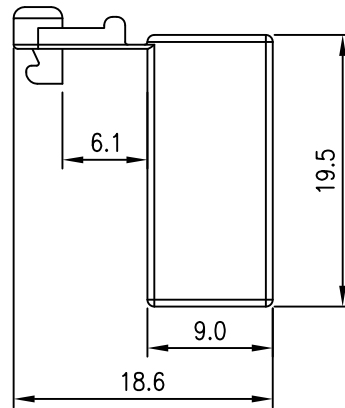
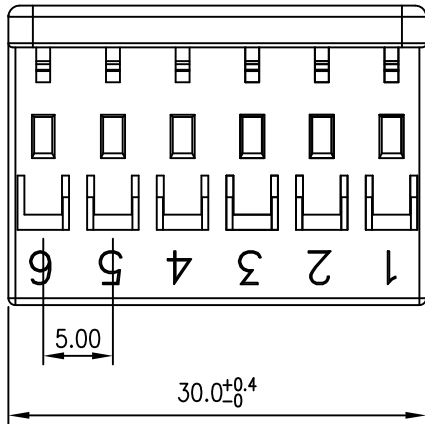
| TOLERANCE | | Young Yak Enterprise Co.,Ltd. TITLE 5.0mm Fork-Type PCB Edge Card Connectors | | | |
|-----------|-----------------|------------------------------------------------------------------------------------------------------|-------|------------------|--------|
| X. | -- | | | | |
| X.X | ±0.20 | | | | |
| X.XX | ±0.10 | | | | |
| X.XXX | ±0.05 | | | | |
| ANGULAR | -- | | | | |
| APPROVALS | | | | | |
| DRAWN | Frank | VIEW | SCALE | PART NO. | REV. |
| | 23-October-2009 | | F | YY-A5001-H05 | A0 |
| CHECKED | Denise | UNIT | SIZE | DWG NO. | SHEET |
| | 23-October-2009 | MM | A4 | YY-A5001-H05-014 | 1 OF 1 |
| APPROVED | Jessica | | | | |
| | 23-October-2009 | | | | |





C **RI** US E182481

| REV | DESCRIPTION | DATE |
|-----|-------------|------|
| | | |



NOTES

Compliant with IEC 60335-1 & IEC 60695-2-11
End-Product GWT750°C No Flame

Material: Nylon 66 UL 94-V0

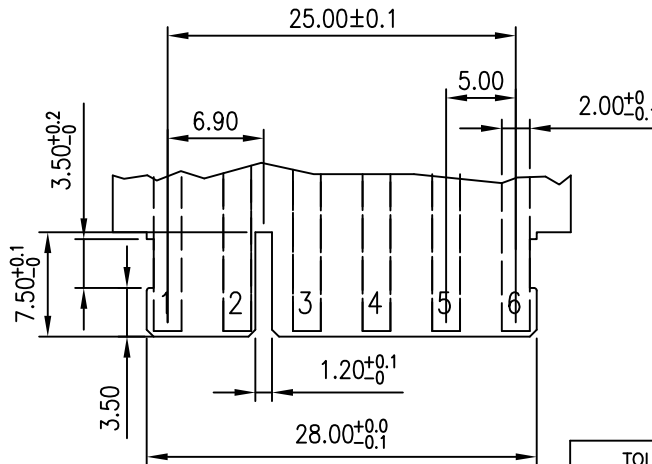
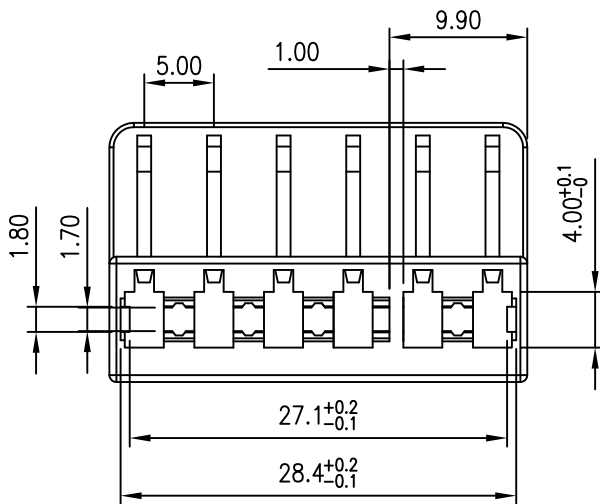
Accepts YY-A5001-T Crimp Terminal

ORDERING INFORMATION

YY-A5001 - H 06
1 2

1. H : Housing

2. No. of Circuits 06



P.C.B LAYOUT
(PCB Thickness:1.5±0.1)

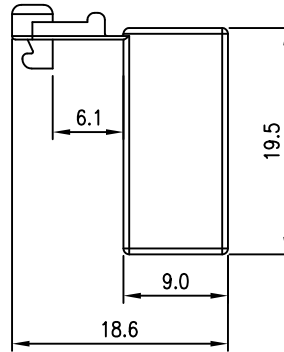
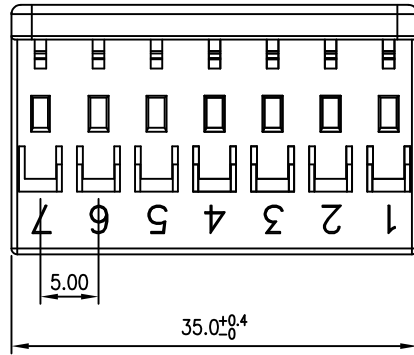
| TOLERANCE | | | | | |
|-----------|-----------------|----------------------------------------------------------------------------------------------|-------|------------------|--------|
| X. | -- | Young Yak Enterprise Co.,Ltd. TITLE 5.0mm Fork-Type PCB Edge Card Connectors | | | |
| X.X | ±0.20 | | | | |
| X.XX | ±0.10 | | | | |
| X.XXX | ±0.05 | | | | |
| ANGULAR | -- | | | | |
| APPROVALS | | | | | |
| DRAWN | Frank | VIEW | SCALE | PART NO. | REV. |
| | 23-October-2009 | | F | YY-A5001-H06 | A0 |
| CHECKED | Denise | UNIT | SIZE | DWG NO. | SHEET |
| | 23-October-2009 | MM | A4 | YY-A5001-H06-014 | 1 OF 1 |
| APPROVED | Jessica | | | | |
| | 23-October-2009 | | | | |





C **RI** US E182481

| REV | DESCRIPTION | DATE |
|-----|-------------|------|
| | | |



NOTES

Compliant with IEC 60335-1 & IEC 60695-2-11
End-Product GWT750°C No Flame

Material: Nylon 66 UL 94-V0

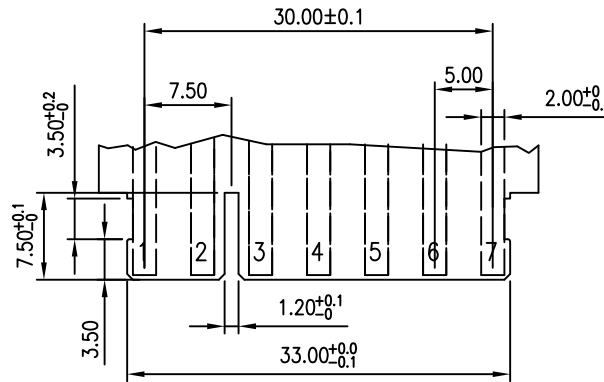
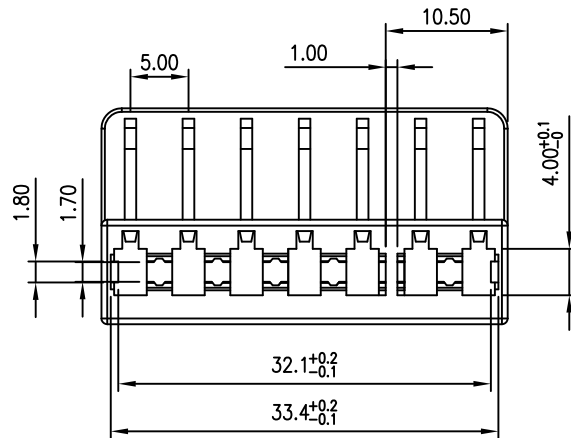
Accepts YY-A5001-T Crimp Terminal

ORDERING INFORMATION

YY-A5001 - H 07
1 2

1. H : Housing

2. No. of Circuits 07



P.C.B LAYOUT
(PCB Thickness:1.5±0.1)

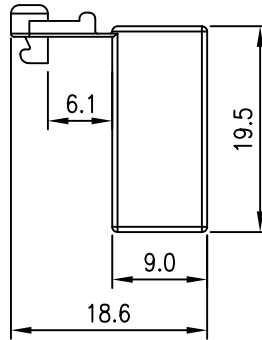
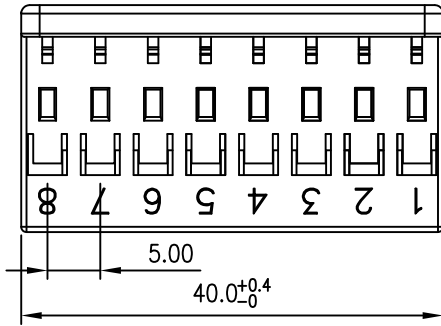


| TOLERANCE | | | | | |
|-----------|-----------------|-------------------------------------------------|-------|------------------|--------|
| X. | -- | 5.0mm Fork-Type PCB Edge Card Connectors | | | |
| X.X | ±0.20 | | | | |
| X.XX | ±0.10 | | | | |
| X.XXX | ±0.05 | | | | |
| ANGULAR | -- | | | | |
| APPROVALS | | TITLE | | | |
| DRAWN | Frank | VIEW | SCALE | PART NO. | REV. |
| | 23-October-2009 | | F | YY-A5001-H07 | A0 |
| CHECKED | Denise | UNIT | SIZE | DWG NO. | SHEET |
| | 23-October-2009 | MM | A4 | YY-A5001-H07-014 | 1 OF 1 |
| APPROVED | Jessica | | | | |
| | 23-October-2009 | | | | |



C **RI** US E182481

| REV | DESCRIPTION | DATE |
|-----|-------------|------|
| | | |



NOTES

Compliant with IEC 60335-1 & IEC 60695-2-11
End-Product GWT750°C No Flame

Material: Nylon 66 UL 94-V0

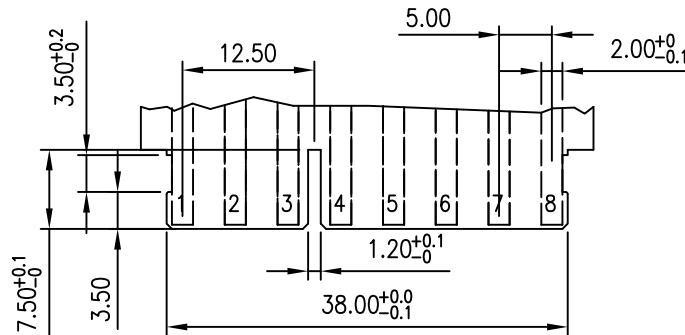
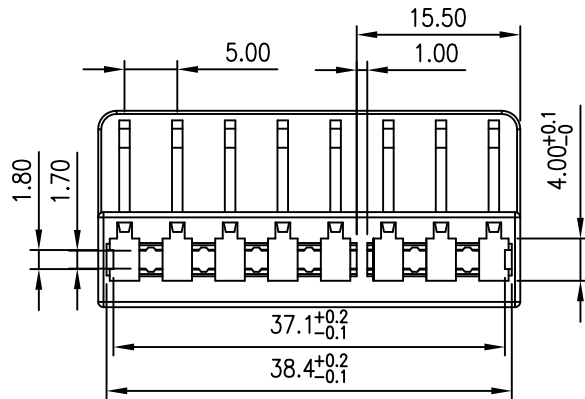
Accepts YY-A5001-T Crimp Terminal

ORDERING INFORMATION

YY-A5001 - H 08
1 2

1. H : Housing

2. No. of Circuits 08



P.C.B LAYOUT
(PCB Thickness:1.5±0.1)



| TOLERANCE | | | | | |
|-----------|-----------------|----------------------------------------------------------------------------------------------|-------|------------------|--------|
| X. | -- | Young Yak Enterprise Co.,Ltd. TITLE 5.0mm Fork-Type PCB Edge Card Connectors | | | |
| X.X | ±0.20 | | | | |
| X.XX | ±0.10 | | | | |
| X.XXX | ±0.05 | | | | |
| ANGULAR | -- | | | | |
| APPROVALS | | | | | |
| DRAWN | Frank | VIEW | SCALE | PART NO. | REV. |
| | 23-October-2009 | | F | YY-A5001-H08 | A0 |
| CHECKED | Denise | UNIT | SIZE | DWG NO. | SHEET |
| | 23-October-2009 | MM | A4 | YY-A5001-H08-014 | 1 OF 1 |
| APPROVED | Jessica | | | | |
| | 23-October-2009 | | | | |



C **YI** US E182481

| REV | DESCRIPTION | DATE |
|-----|-------------|------|
| | | |

NOTES

Compliant with IEC 60335-1 & IEC 60695-2-11
End-Product GWT750°C No Flame

Material: Nylon 66 UL 94-V0

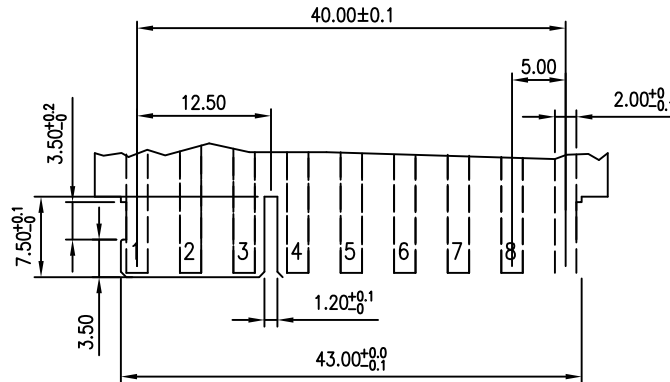
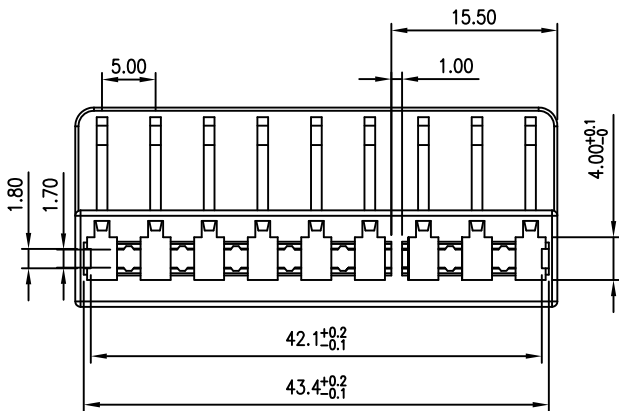
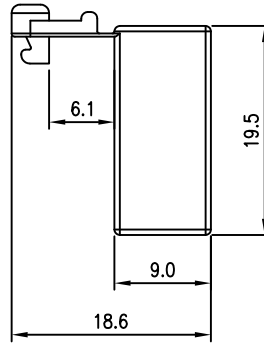
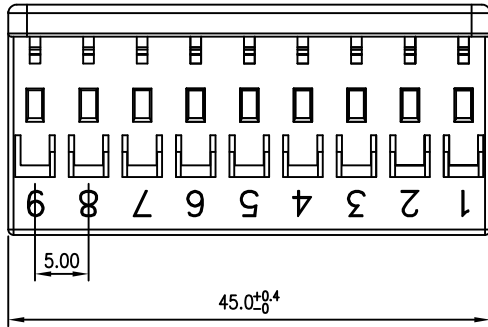
Accepts YY-A5001-T Crimp Terminal

ORDERING INFORMATION

YY-A5001 - H 09
1 2

1. H : Housing

2. No. of Circuits 09



P.C.B LAYOUT
(PCB Thickness:1.5±0.1)

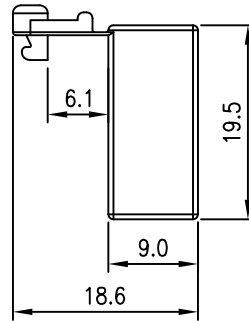
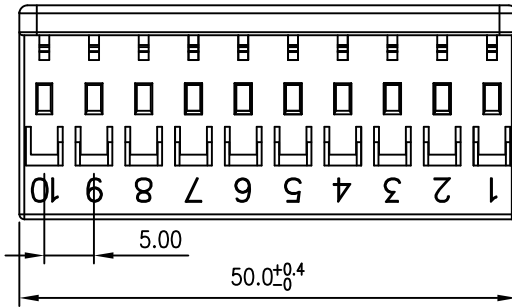


| TOLERANCE | | | | | |
|-----------|-----------------|-------------------------------------------------|-------|------------------|--------|
| X. | -- | 5.0mm Fork-Type PCB Edge Card Connectors | | | |
| X.X | ±0.20 | | | | |
| X.XX | ±0.10 | | | | |
| X.XXX | ±0.05 | | | | |
| ANGULAR | -- | | | | |
| APPROVALS | | TITLE | | | |
| DRAWN | Frank | VIEW | SCALE | PART NO. | REV. |
| | 23-October-2009 | | F | YY-A5001-H09 | A0 |
| CHECKED | Denise | UNIT | SIZE | DWG NO. | SHEET |
| | 23-October-2009 | MM | A4 | YY-A5001-H09-014 | 1 OF 1 |
| APPROVED | Jessica | | | | |
| | 23-October-2009 | | | | |



C **RI** US E182481

| REV | DESCRIPTION | DATE |
|-----|-------------|------|
| | | |



NOTES

Compliant with IEC 60335-1 & IEC 60695-2-11
End-Product GWT750°C No Flame

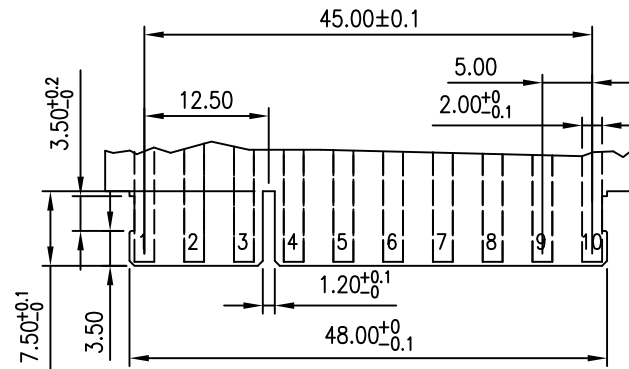
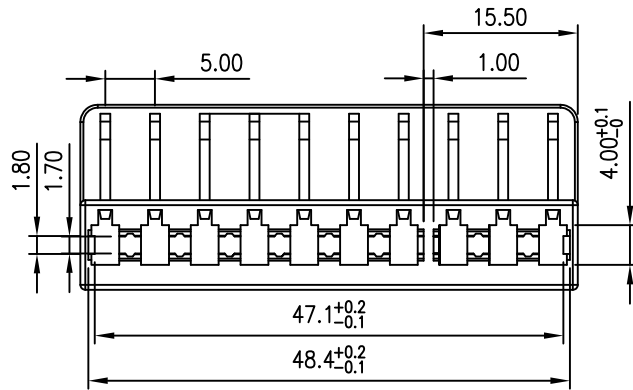
Material: Nylon 66 UL 94-V0

Accepts YY-A5001-T Crimp Terminal

ORDERING INFORMATION

YY-A5001 - H 10
1 2

- 1. H : Housing
- 2. No. of Circuits 10



P.C.B LAYOUT
(PCB Thickness:1.5±0.1)

| TOLERANCE | | | | | | |
|-----------|-------|------------------------------------------|-----------------|-------|------------------|--------|
| X. | -- | | | | | TITLE |
| X.X | ±0.20 | 5.0mm Fork-Type PCB Edge Card Connectors | | | | |
| X.XX | ±0.10 | | | | | |
| X.XXX | ±0.05 | APPROVALS | | | | |
| ANGULAR | -- | DRAWN | VIEW | SCALE | PART NO. | REV. |
| | | Frank | ① | F | YY-A5001-H10 | A0 |
| | | CHECKED | UNIT | SIZE | DWG NO. | SHEET |
| | | Denise | MM | A4 | YY-A5001-H10-014 | 1 OF 1 |
| | | APPROVED | 23-October-2009 | | | |
| | | Jessica | 23-October-2009 | | | |





C **RI** US E182481

| REV | DESCRIPTION | DATE |
|-----|-------------|------|
| | | |

NOTES

Compliant with IEC 60335-1 & IEC 60695-2-11
End-Product GWT750°C No Flame

Material: Nylon 66 UL 94-V0

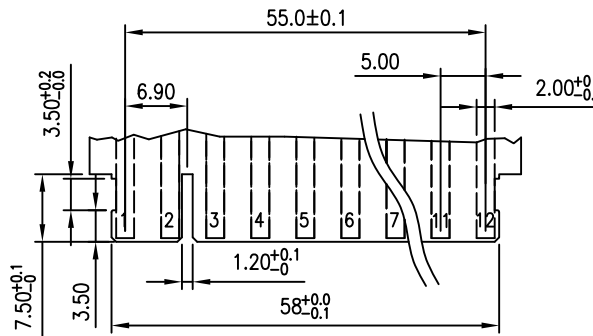
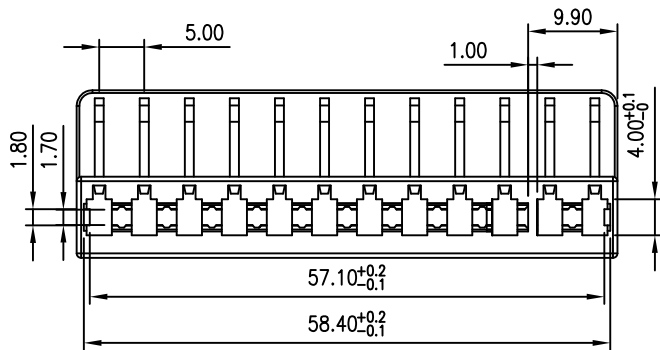
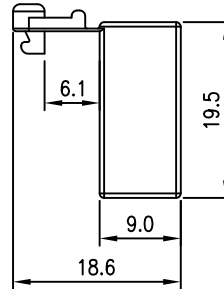
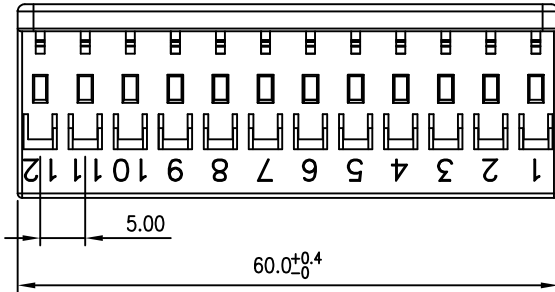
Accepts YY-A5001-T Crimp Terminal

ORDERING INFORMATION

YY-A5001 - H 12
1 2

1. H : Housing

2. No. of Circuits 12



P.C.B LAYOUT
(PCB Thickness:1.5±0.1)



| TOLERANCE | | | | | |
|-----------|-----------------|-------------------------------------------------|-------|------------------|--------|
| X. | -- | 5.0mm Fork-Type PCB Edge Card Connectors | | | |
| X.X | ±0.20 | | | | |
| X.XX | ±0.10 | | | | |
| X.XXX | ±0.05 | | | | |
| ANGULAR | -- | | | | |
| APPROVALS | | TITLE | | | |
| DRAWN | Frank | VIEW | SCALE | PART NO. | REV. |
| | 23-October-2009 | | F | YY-A5001-H12 | A0 |
| CHECKED | Denise | UNIT | SIZE | DWG NO. | SHEET |
| | 23-October-2009 | MM | A4 | YY-A5001-H12-014 | 1 OF 1 |
| APPROVED | Jessica | | | | |
| | 23-October-2009 | | | | |



C **YI** US E182481

| REV | DESCRIPTION | DATE |
|-----|-------------|------------|
| A1 | EN981113-1 | 2009.11.13 |

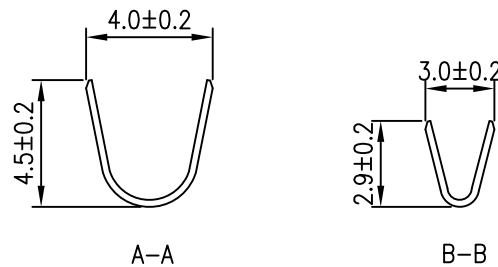
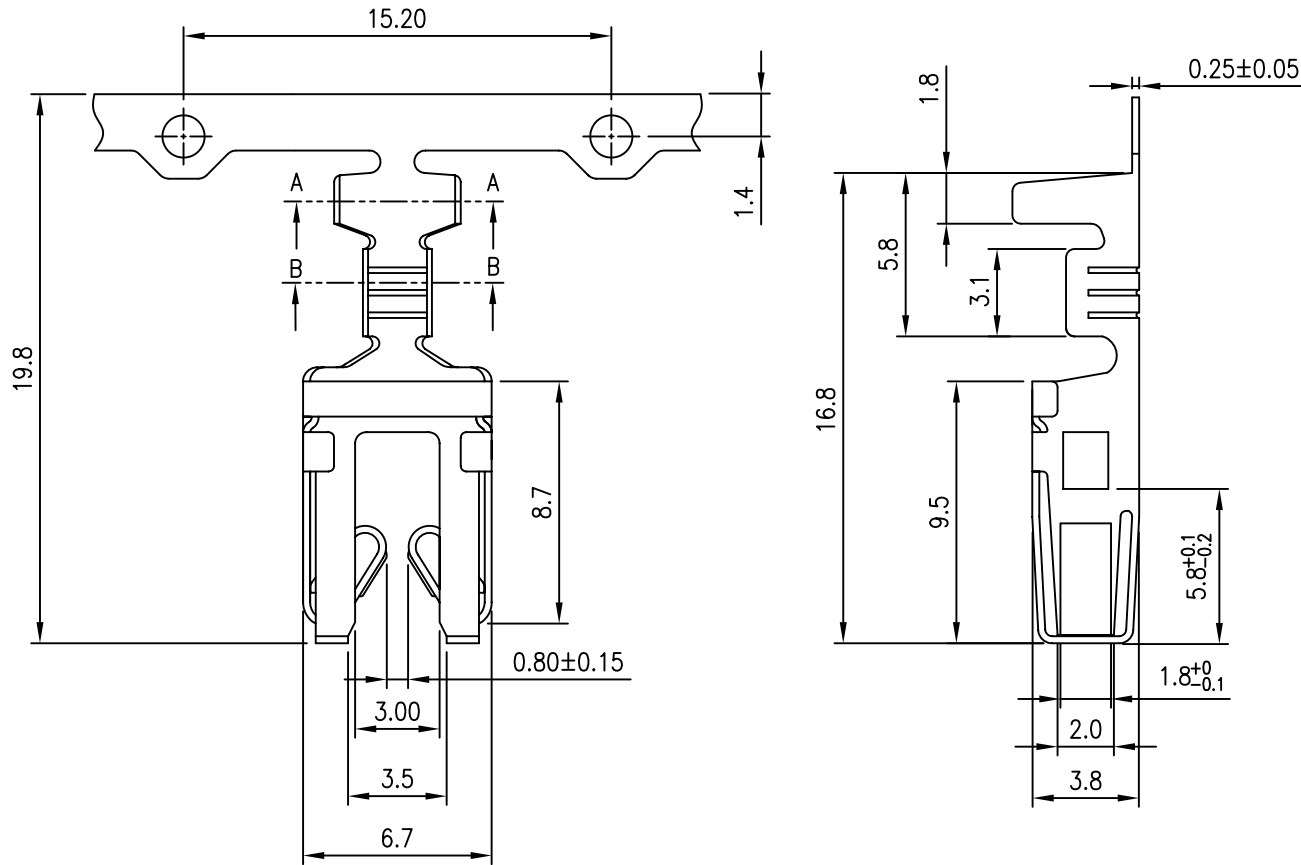
NOTES

Used in YY-A5001 Series Housing
 Accepts AWG #18~20 Wire Range
 Insulation O.D.=2.80mm(max)
 Material : Phosphor Bronze
 Finish : Tin-plated
 Qty/reel: 3,000 pcs
 Thickness: 0.25 mm

ORDERING INFORMATION

YY-A5001 - T TB P
 1 2 3

1. T : Terminal
2. TB : Tin-Plated
3. Material
 P : Phosphor Bronze



| TOLERANCE | |
|-----------|-------|
| X. | -- |
| X.X | ±0.15 |
| X.XX | ±0.10 |
| X.XXX | -- |
| ANGULAR | -- |



TITLE
 5.00mm Fork-Type
 PCB Edge Card Connectors

| APPROVALS | | VIEW | SCALE | PART NO. | REV. |
|-----------|---------|------|-------|-------------------|--------|
| DRAWN | Frank | | F | YY-A5001-TTBP | A1 |
| CHECKED | Denise | | | | |
| APPROVED | Jessica | UNIT | SIZE | DWG NO. | SHEET |
| | | MM | A4 | YY-A5001-TTBP-014 | 1 OF 1 |

