



C US E182481

REV	DESCRIPTION	DATE
A1	EN010224-1	2012.02.24

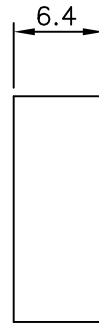
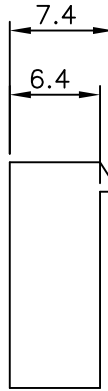
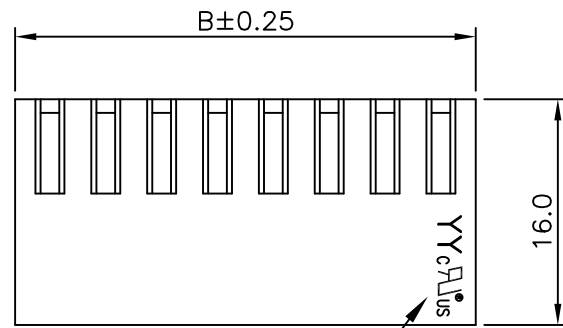
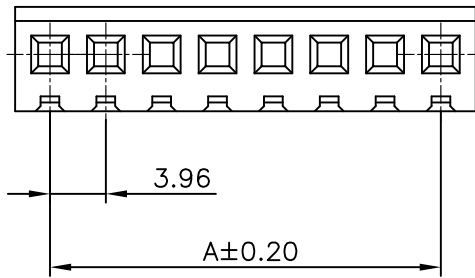
NOTES

Body: Nylon 66 UL94-V0 or UL94-V2
 Accepts YY-2500-T Crimp Terminal
 Mates with YY-2500-W**S or YY-2500-W**R series Header

ORDERING INFORMATION

YY - 2500 - $\frac{H}{1}$ $\frac{**}{2}$ $\frac{*}{3}$ $\frac{*}{4}$ - $\frac{*}{5}$

- H : Housing
- No. of Circuits 02 ~ 20 Pin
- Housing Type
 : Standard Type
 : Flat Type
- Mark Option
 : With Mark
 : No Mark
- Material
 : Nylon66 UL94-V2
 : Nylon66 UL94-V0



Mark Option

Standard Type

Flat Type

Circuits	Dimension mm	
	A	B
1X2	3.96	8.70
1X3	7.92	12.66
A: 3.96 X (PART NO. OF PIN-1)		
B: 3.96 X (PART NO. OF PIN)+0.78		
1X20	75.24	79.98

TOLERANCE	
X.	--
X.X	±0.25
X.XX	±0.15
X.XXX	±0.05
ANGULAR	--
APPROVALS	
DRAWN	Joan 24-February-2012
CHECKED	Denise 24-February-2012
APPROVED	Jessica 24-February-2012



Young Yak Enterprise Co., Ltd.

TITLE
 3.96mm(.156) Pitch
 Wire to Board Housing

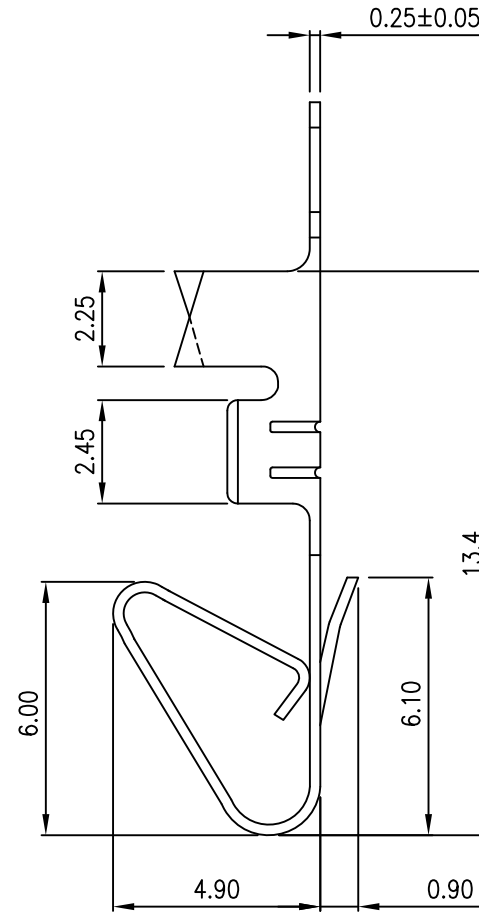
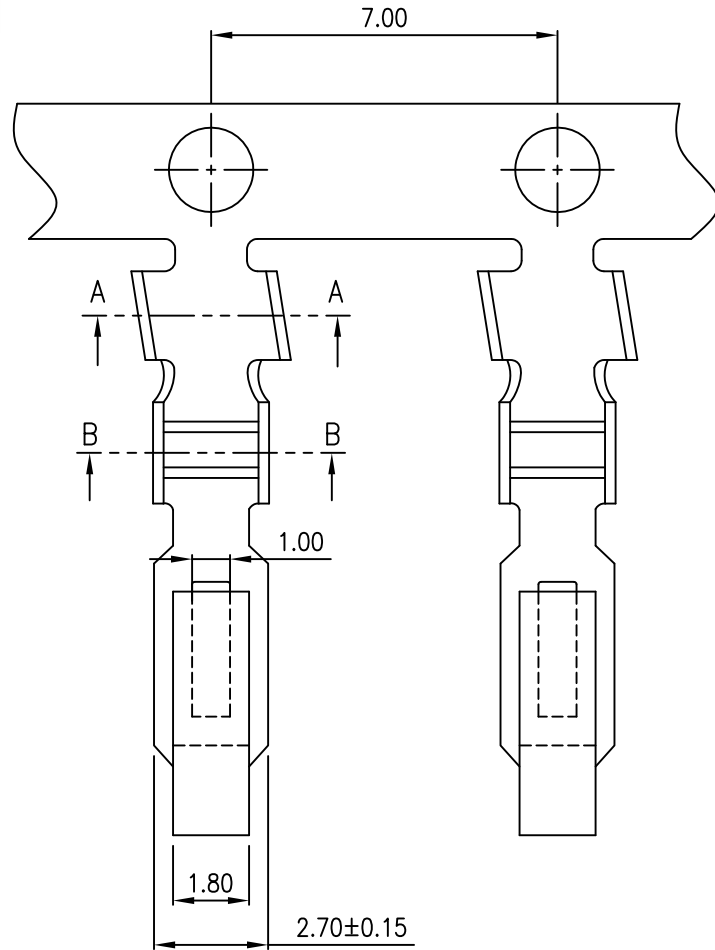
VIEW	SCALE	PART NO.	REV.
	2:1	YY-2500-H****-*	A1
UNIT	SIZE	DWG NO.	SHEET
MM	A4	YY-2500-H****-*014	1 OF 1





C **YI** US E182481

REV	DESCRIPTION	DATE
A1	EN990602-1	2010.06.02



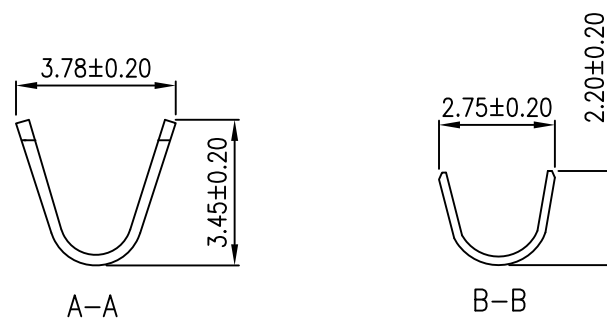
NOTES

Used in YY-2500-H , YY-2700-H
 YY-2900-H,YY-3000-H Series Housing
 Accepts AWG #18~24 Wire Range
 Insulation O.D.= 2.1mm (max)
 Material : Brass
 Finish : Tin-Plated
 Qty/Reel : 6,000 PCS
 Thickness: 0.25mm

ORDERING INFORMATION

YY- 2500 - T TA
 1 2

1. T : Terminal
2. TA : Tin-Plated



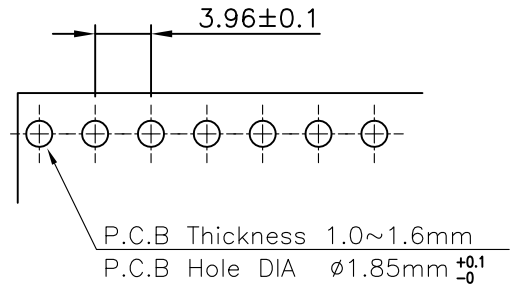
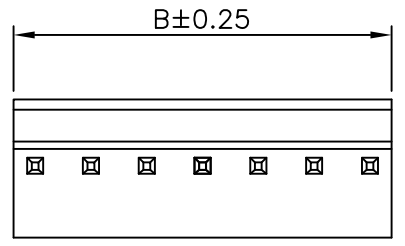
TOLERANCE		Young Yak Enterprise Co., Ltd.			
X.	--	TITLE 3.96mm(.156") Pitch Wire to Board Terminal			
X.X	±0.25				
X.XX	±0.15				
X.XXX	±0.05				
ANGULAR	--				
APPROVALS					
DRAWN	Frank	VIEW	SCALE	PART NO.	REV.
	02-June-2010		F	YY-2500-TTA	A1
CHECKED	Denise	UNIT	SIZE	DWG NO.	SHEET
	02-June-2010	MM	A4	YY-2500-TTA-014	1 OF 1
APPROVED	Jessica				
	02-June-2010				

Young Yak
 2010.06.02
 ISSUED

Customer Drawing

RoHS compliant

REV	DESCRIPTION	DATE



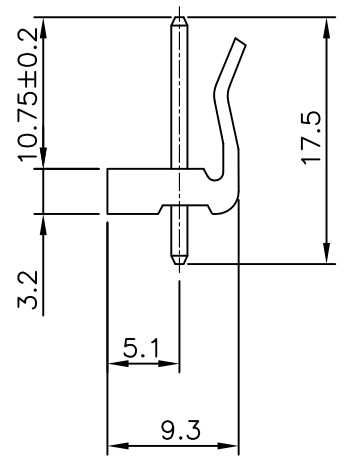
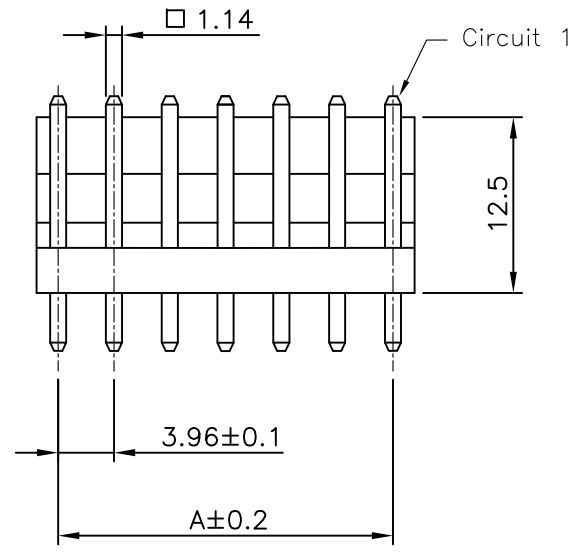
NOTES

- Body: Nylon 66 UL94-V0 or UL94-V2
- Contact Material: Brass
- Contact Plated: Tin-Plated or Gold-Plated

ORDERING INFORMATION


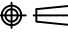
YY - 2500 - W ** S * - *
1 2 3 4


1. No. of Circuits 02 ~ 20 Pin
2. Contact Type
S: Straight
3. Contact Plated
T: Tin
G: Gold
4. Material: Nylon66 UL94-V2
Q : Nylon66 UL94-V0



Circuits	Dimension mm		Circuits	Dimension mm		Circuits	Dimension mm	
	A	B		A	B		A	B
2	3.96	7.92	9	31.68	35.64	16	59.40	63.36
3	7.92	11.88	10	35.64	39.60	17	63.36	67.32
4	11.88	15.84	11	39.60	43.56	18	67.32	71.28
5	15.84	19.80	12	43.56	47.52	19	71.28	75.24
6	19.80	23.76	13	47.52	51.48	20	75.24	79.20
7	23.76	27.72	14	51.48	55.44	--	--	--
8	27.72	31.68	15	55.44	59.40	--	--	--

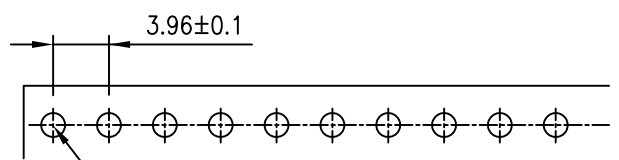
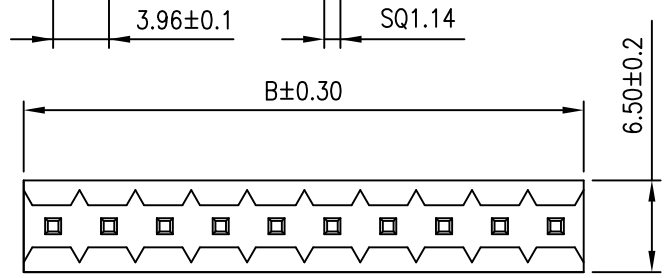
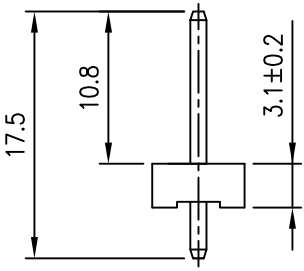
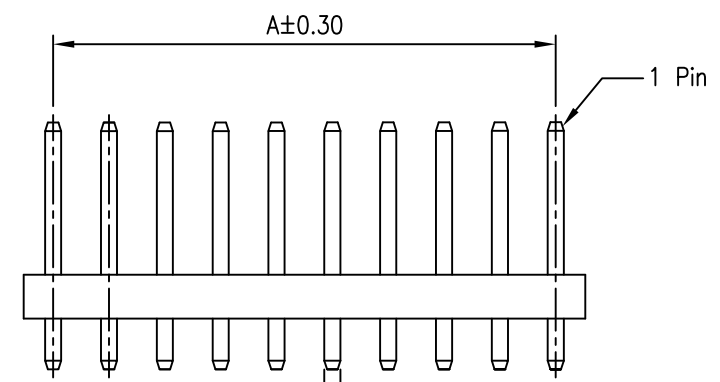
Young Yak
 2008.11.15
 ISSUED

TOLERANCE		 Young Yak Enterprise Co., Ltd.			
X.	--				
X.X	±0.25				
X.XX	±0.15				
X.XXX	±0.05				
ANGULAR	--				
APPROVALS		TITLE			
DRAWN	Frank	3.96mm(.156) Pitch		Wire to Board Header	
	03-NOVEMBER-2008	VIEW	SCALE	PART NO.	REV.
CHECKED	Denise		2:1	YY-2500-W**S*-*	A0
	03-NOVEMBER-2008	UNIT	SIZE	DWG NO.	SHEET
APPROVED	Jessica	MM	A4	YY-2500-W**S*-*-014	1 OF 1
	03-NOVEMBER-2008				

C  US E182481

RoHS compliant

REV	DESCRIPTION	DATE



P.C.B Thickness 0.80~1.60mm
 P.C.B Hole dia ϕ 1.70mm \pm 0.05
 P.C.B LAYOUT

NOTES

Available in 02 through 20 Circuits
 Material: Nylon 66 UL94-V2
 Mates with YY-2500-H series housing
 1.14mm (.045") square pin
 Pin Material: Brass/Tin-Plated or Gold-Plated


ORDERING INFORMATION

YY-2500 - W * *
 1 2 3 4

1. No. of Circuits 02~20
2. S : Straight
3. Plated
 T : Tin
 G : Gold
4. F : Flat



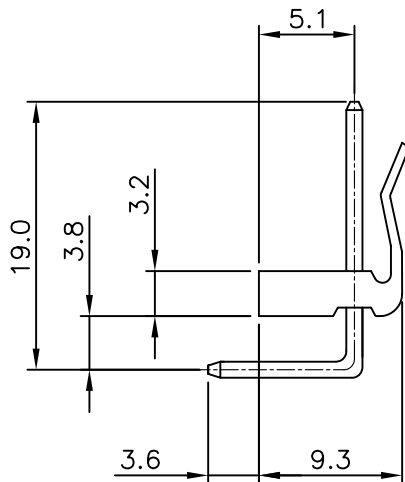
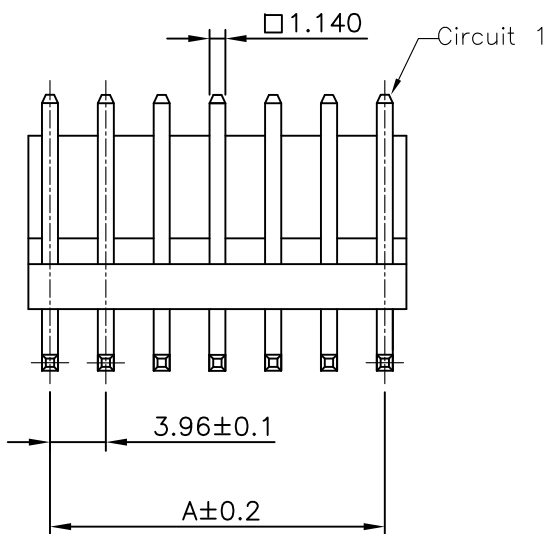
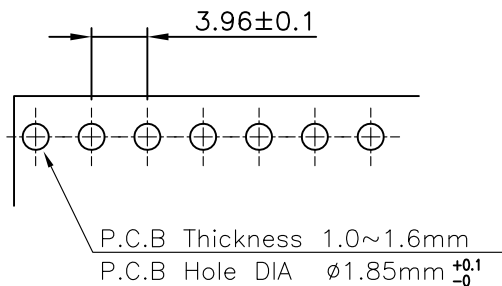
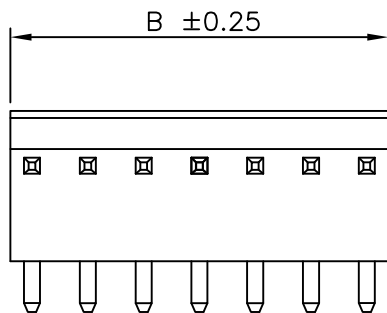
Circuits	Dimension mm		Circuits	Dimension mm		Circuits	Dimension mm	
	A	B		A	B		A	B
2	3.96	7.92	9	31.68	35.64	16	59.40	63.36
3	7.92	11.88	10	35.64	39.60	17	63.36	67.32
4	11.88	15.84	11	39.60	43.56	18	67.32	71.28
5	15.84	19.80	12	43.56	47.52	19	71.28	75.24
6	19.80	23.76	13	47.52	51.48	20	75.24	79.20
7	23.76	27.72	14	51.48	55.44	--	--	--
8	27.72	31.68	15	55.44	59.40	--	--	--

TOLERANCE		 Young Yak Enterprise Co., Ltd.			
X.	--	TITLE 3.96mm(.156) Pitch Wire to Board Header			
X.X	\pm 0.25				
X.XX	\pm 0.15				
X.XXX	\pm 0.05				
ANGULAR	--				
APPROVALS					
DRAWN	Frank 12-NOVEMBER-2008	VIEW	SCALE 2:1	PART NO. YY-2500-W**S*F	REV. A0
CHECKED	Denise 12-NOVEMBER-2008	UNIT	SIZE A4	DWG NO. YY-2500-W**S*F-014	SHEET 1 OF 1
APPROVED	Jessica 12-NOVEMBER-2008				



C US E182481

REV	DESCRIPTION	DATE
A1	EN991001-1	2010/10/01



NOTES

Body: Nylon 66 UL94-V0 or UL94-V2
 Contact Material: Brass
 Contact Plated: Tin-Plated or Gold-Plated

ORDERING INFORMATION

YY - 2500 - W ** R * - *
 1 2 3 4

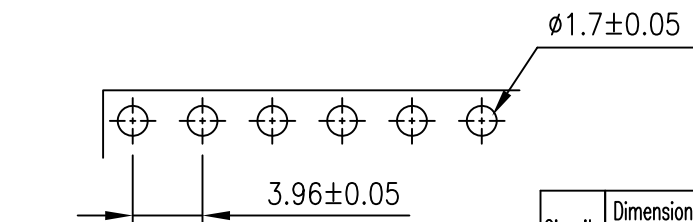
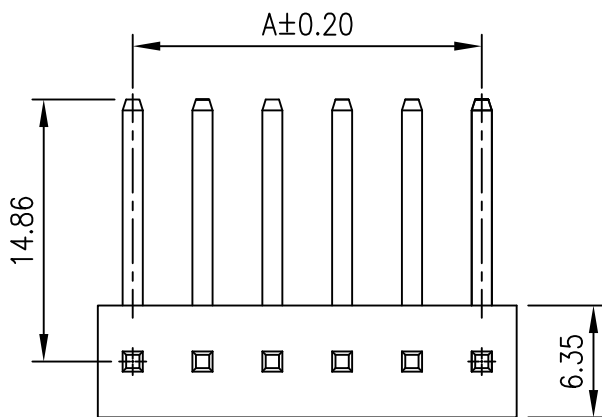
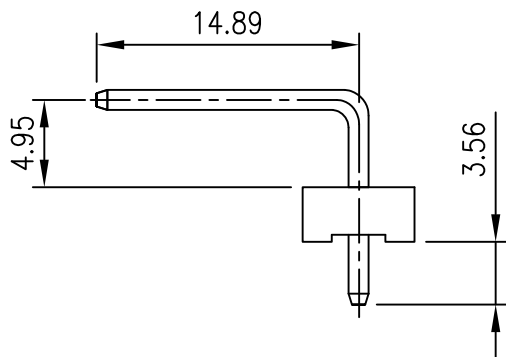
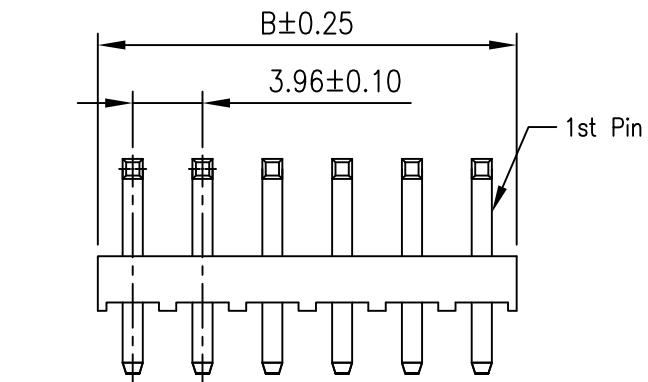
- 1. No. of Circuits 02 ~ 20 Pin
- 2. Contact Type
R: Right Angle
- 3. Contact Plated
T: Tin
G: Gold
- 4. Material: □ : Nylon66 UL94-V2
Q : Nylon66 UL94-V0

Circuits	Dimension mm		Circuits	Dimension mm		Circuits	Dimension mm	
	A	B		A	B		A	B
2	3.96	7.92	9	31.68	35.64	16	59.40	63.36
3	7.92	11.88	10	35.64	39.60	17	63.36	67.32
4	11.88	15.84	11	39.60	43.56	18	67.32	71.28
5	15.84	19.80	12	43.56	47.52	19	71.28	75.24
6	19.80	23.76	13	47.52	51.48	20	75.24	79.20
7	23.76	27.72	14	51.48	55.44	--	--	--
8	27.72	31.68	15	55.44	59.40	--	--	--

TOLERANCE					
X.	--	TITLE 3.96mm(.156) Pitch Wire to Board Header			
X.X	±0.25				
X.XX	±0.15				
X.XXX	±0.05				
ANGULAR	--				
APPROVALS					
DRAWN	Denise	VIEW	SCALE	PART NO.	REV.
	01-OCTOBER-2010		2:1	YY-2500-W**R*-*	A1
CHECKED	Kang	UNIT	SIZE	DWG NO.	SHEET
	01-OCTOBER-2010	MM	A4	YY-2500-W**R*-*014	1 OF 1
APPROVED	Jessica				
	01-OCTOBER-2010				



REV	DESCRIPTION	DATE



P.C.B. LAYOUT

NOTES

Available in 02 through 20 Circuits
 Material: Nylon 66 UL94-V2
 Mates with YY-2500-H series Housing
 1.14mm (.045") square pin
 Pin Material: Brass/Tin-Plated or Gold-Plated


ORDERING INFORMATION

YY-2500 - W ** R * F
 1 2 3 4

- No. of Circuits 02~20
- R : Right
- Plated
 T : Tin
 G : Gold
- F : Flat

Circuits	Dimension mm		Circuits	Dimension mm		Circuits	Dimension mm	
	A	B		A	B		A	B
2	3.96	7.92	9	31.68	35.64	16	59.40	63.36
3	7.92	11.88	10	35.64	39.60	17	63.36	67.32
4	11.88	15.84	11	39.60	43.56	18	67.32	71.28
5	15.84	19.80	12	43.56	47.52	19	71.28	75.24
6	19.80	23.76	13	47.52	51.48	20	75.24	79.20
7	23.76	27.72	14	51.48	55.44	--	--	--
8	27.72	31.68	15	55.44	59.40	--	--	--

TOLERANCE	
X.	--
X.X	±0.25
X.XX	±0.20
X.XXX	±0.05
ANGULAR	--
APPROVALS	
DRAWN	Frank
12-NOVEMBER-2008	
CHECKED	Denise
12-NOVEMBER-2008	
APPROVED	Jessica
12-NOVEMBER-2008	



Young Yak Enterprise Co., Ltd.

TITLE: 3.96mm(.156) Pitch Wire to Board Header

DRAWN	SCALE	PART NO.	REV.
Frank	F	YY-2500-W**R*F	A0
CHECKED	UNIT	SIZE	DWG NO.
Denise	MM	A4	YY-2500-W**R*F-014
APPROVED			SHEET
Jessica			1 OF 1
12-NOVEMBER-2008			

