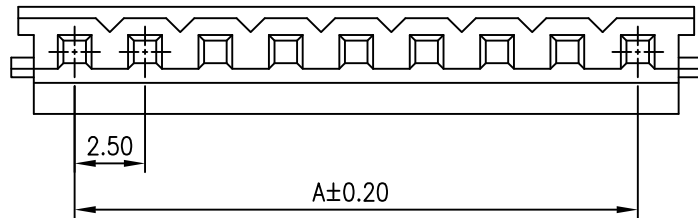
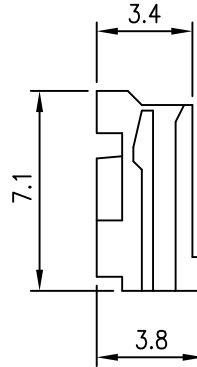
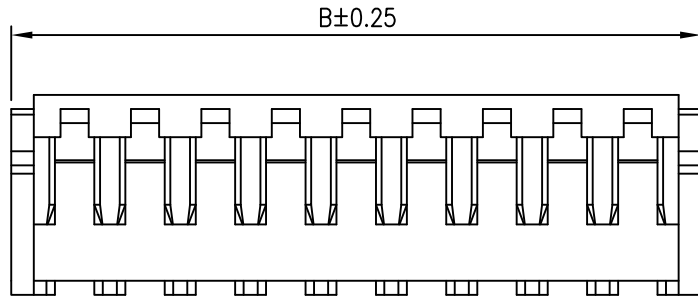




C **YI** US E182481

REV	DESCRIPTION	DATE



**NOTES**

Available in 02 through 15 Circuits  
 Material: Nylon 66 UL94-V0  
 Accepts YY-1150-T Crimp Terminal  
 Mates with YY-1150-W\*\*S or YY-1150-W\*\*R Series Header

**ORDERING INFORMATION**

YY-1150 - H \*\*  
                   1 2

1. H : Housing
2. No. of Circuits 02~15

Circuits	Dimension mm		Circuits	Dimension mm	
	A	B		A	B
2	2.5	7.0	9	20.0	24.5
3	5.0	9.5	10	22.5	27.0
4	7.5	12.0	11	25.0	29.5
5	10.0	14.5	12	27.5	32.0
6	12.5	17.0	13	30.0	34.5
7	15.0	19.5	14	32.5	37.0
8	17.5	22.0	15	35.0	39.5

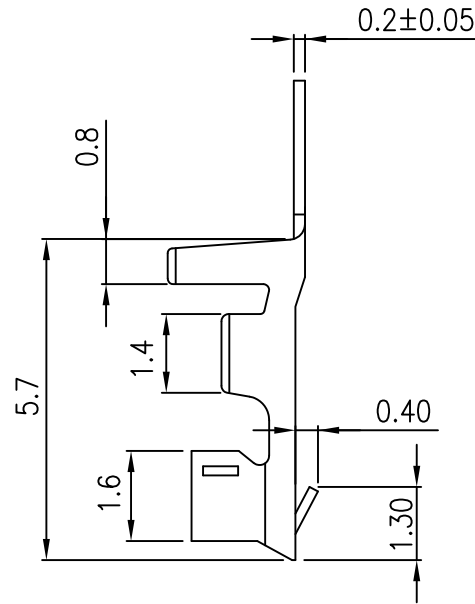
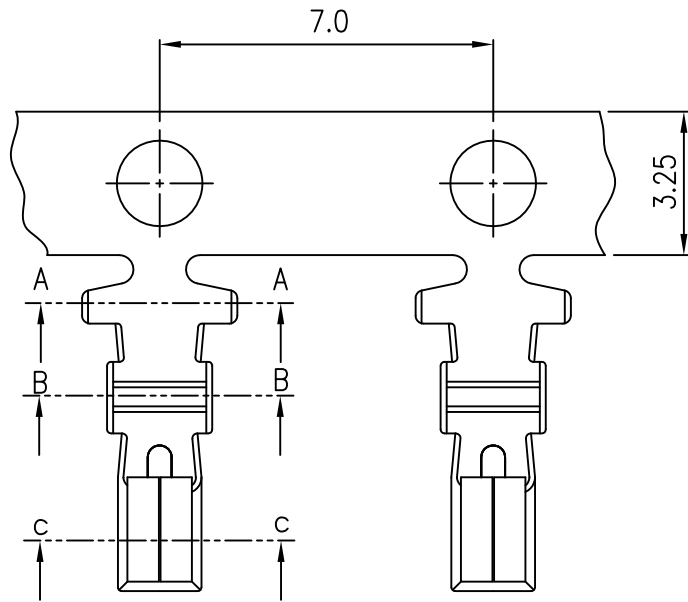
TOLERANCE					
X.	--	TITLE 2.50mm(.098") Pitch Wire to Board Housing			
X.X	±0.25				
X.XX	±0.15				
X.XXX	±0.08				
ANGULAR	--				
APPROVALS					
DRAWN	Frank	VIEW	SCALE	PART NO.	REV.
	09-September-2009		F	YY-1150-H**	A0
CHECKED	Denise	UNIT	SIZE	DWG NO.	SHEET
	09-September-2009	MM	A4	YY-1150-H**-014	1 OF 1
APPROVED	Jessica				
	09-September-2009				





C **YI** US E182481

REV	DESCRIPTION	DATE



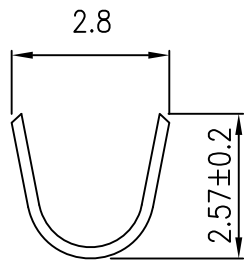
**NOTES**

Used in YY-1150-H Series Housing  
 Accepts AWG #22~28 Wire Range  
 Insulation O.D.= 1.80 mm(max)  
 Material : Phosphor Bronze  
 Finish : Tin-Plated  
 Qty/Reel : 10,000 PCS  
 Thickness: 0.2mm

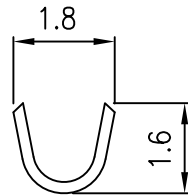
**ORDERING INFORMATION**

**YY-1150 - T T\* P**  
                   **1 2 3**

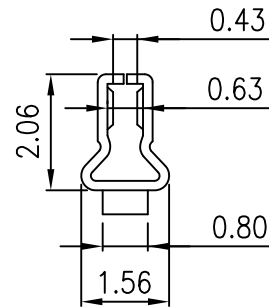
- 1. T : Terminal
- 2. TA : Tin , Pre-tinned  
    TB : Tin
- 3. Material  
    P : Phosphor Bronze



A-A



B-B



C-C

TOLERANCE	
X.	--
X.X	±0.20
X.XX	±0.10
X.XXX	±0.05
ANGULAR	--



**Young Yak Enterprise Co., Ltd.**

TITLE  
 2.50mm(.098") Pitch  
 Wire to Board Terminal

APPROVALS		VIEW	SCALE	PART NO.	REV.
DRAWN	Frank		F	YY-1150-TT*P	A0
CHECKED	Denise				
APPROVED	Jessica	UNIT	SIZE	DWG NO.	SHEET
		MM	A4	YY-1150-TT*P-014	1 OF 1

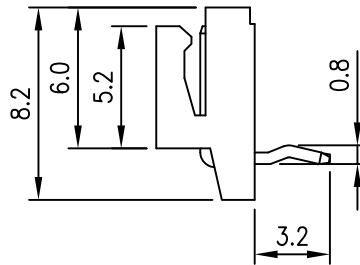
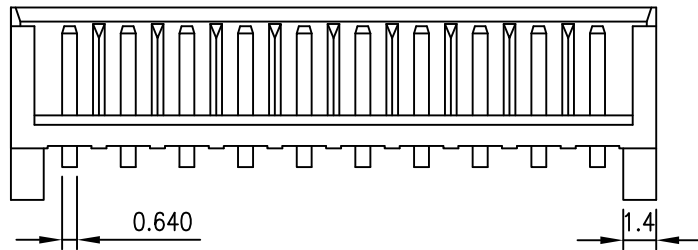






C **YI** US E182481

REV	DESCRIPTION	DATE



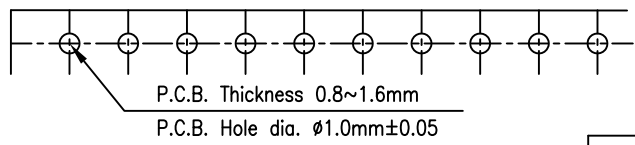
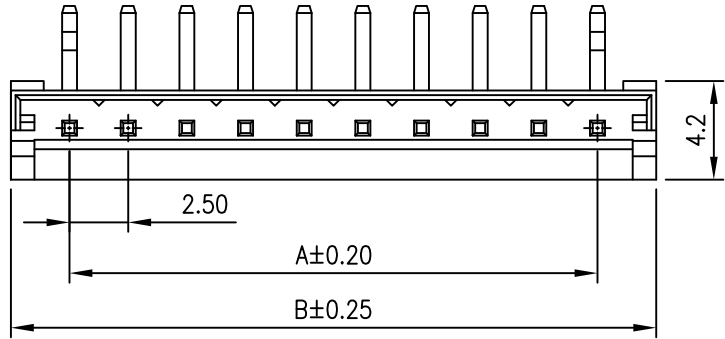
**NOTES**

Available in 02 through 15 Circuits  
 Material: Nylon 66 UL94-V0  
 Accepts with YY-1150-H Series Housing  
 0.64mm(.025") Square Pin  
 Pin Material: Brass/Tin-Plated or Gold-Plated

**ORDERING INFORMATION**

YY-1150 - W \*\* R \*  
                                   1 2 3

- 1. No. of Circuits 02~15
- 2. R : Right Angle
- 3. Plated  
     T : Tin  
     G : Gold



P.C.B. LAYOUT

Circuits	Dimension mm		Circuits	Dimension mm	
	A	B		A	B
2	2.50	7.50	9	20.00	25.00
3	5.00	10.00	10	22.50	27.50
4	7.50	12.50	11	25.00	30.00
5	10.00	15.00	12	27.50	32.50
6	12.50	17.50	13	30.00	35.00
7	15.00	20.00	14	32.50	37.50
8	17.50	22.50	15	35.00	40.00

TOLERANCE		<p><b>Young Yak Enterprise Co., Ltd.</b></p>				
X.	--				TITLE 2.50mm(.098") Pitch Wire to Board Header	
X.X	±0.20					
X.XX	±0.10					
X.XXX	±0.05					
ANGULAR		--				
APPROVALS						
DRAWN	Frank	VIEW	SCALE	PART NO.	REV.	
	09-September-2009		F	YY-1150-W**R*	A0	
CHECKED	Denise	UNIT	SIZE	DWG NO.	SHEET	
	09-September-2009	MM	A4	YY-1150-W**R*-014	1 OF 1	
APPROVED	Jessica					
	09-September-2009					

