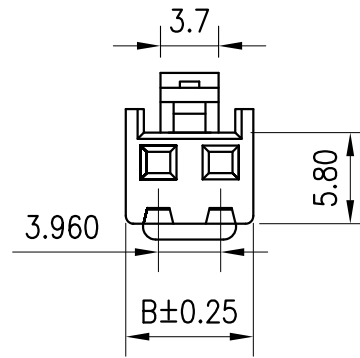
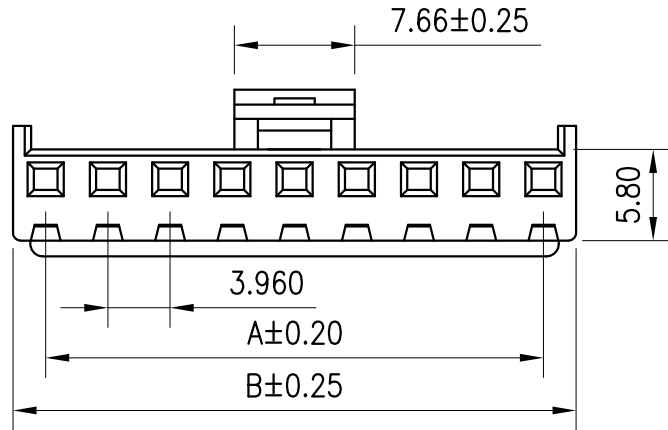




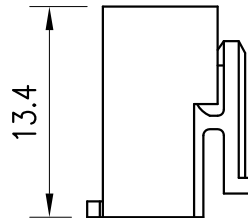
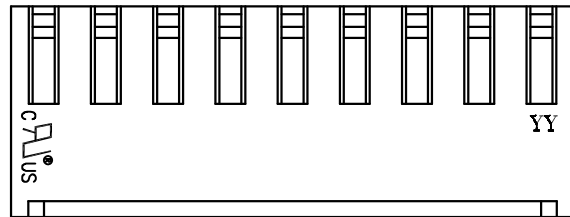
US E182481

REV	DESCRIPTION	DATE
A1	ECN-201210240002	2012.12.04



03~12P

02P



### NOTES

Available in 02 through 12 Circuits  
 Material: Nylon 66 UL94-V0  
 Accepts YY-2800-T Crimp Terminal  
 Mates with YY-2800-W\*\*S or YY-2800-W\*\*R Series Header

### ORDERING INFORMATION

YY-2800 - H \*\*  
 $\frac{1}{2}$

- H : Housing
- No. of Circuits 02~12

Circuits	Dimension mm	
	A	B
2	3.96	8.12
3	7.92	12.08
4	11.88	16.04
5	15.84	20.00
6	19.80	23.96
7	23.76	27.82

Circuits	Dimension mm	
	A	B
8	27.72	31.88
9	31.68	35.84
10	35.64	39.80
11	39.60	43.76
12	43.56	47.72

TOLERANCE	
X.	--
X.X	±0.25
X.XX	±0.15
X.XXX	±0.10
ANGULAR	--
APPROVALS	
DRAWN	Frank
04-December-2012	
CHECKED	Kang
04-December-2012	
APPROVED	Denise
04-December-2012	



Young Yak Enterprise Co., Ltd.

TITLE  
 3.96mm(.156") Pitch  
 Wire to Board Housing

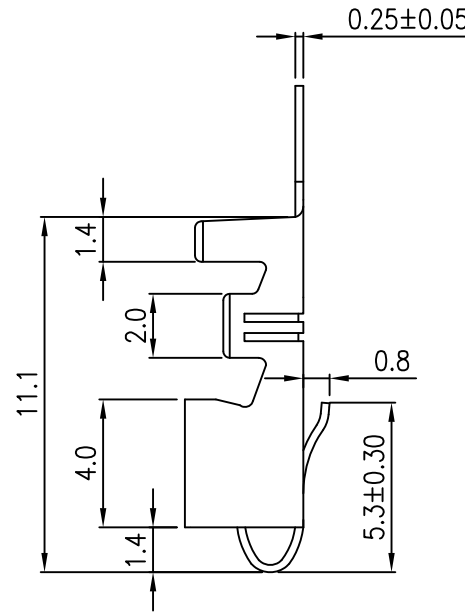
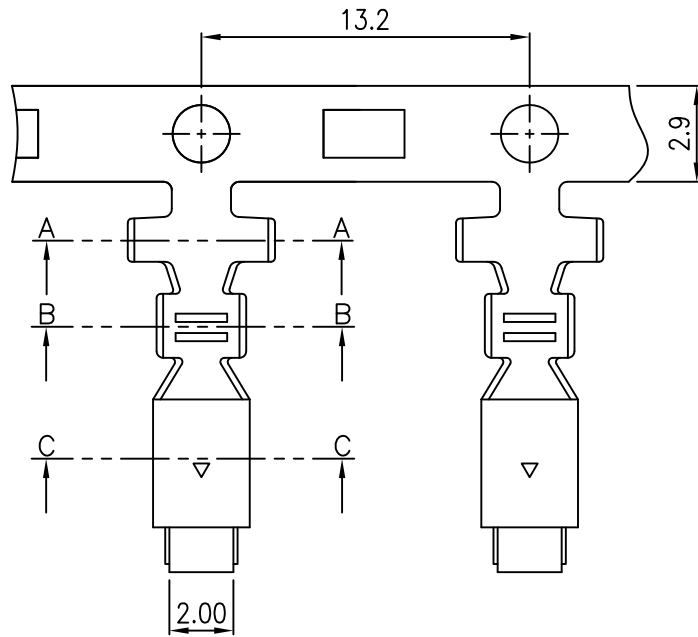
DRAWN	VIEW	SCALE	PART NO.	REV.
Frank		F	YY-2800-H**	A1
04-December-2012		UNIT	DWG NO.	SHEET
Kang		MM	YY-2800-H**-014	1 OF 1
04-December-2012		SIZE		
Denise		A4		
04-December-2012				





C **YI** US E182481

REV	DESCRIPTION	DATE
A1	EN980522-1	2009.05.22



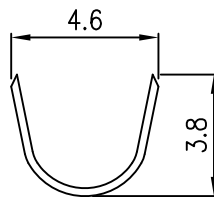
### NOTES

Used in YY-2800-H Series Housing  
 Accepts AWG #18~22 Wire Range  
 Insulation O.D.= 2.80 mm(max)  
 Material : Brass  
 Finish : Tin-Plated  
 Qty/Reel : 4,000 PCS  
 Thickness: 0.25mm

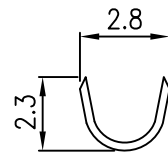
### ORDERING INFORMATION

**YY-2800 - T TB**  
 1 2

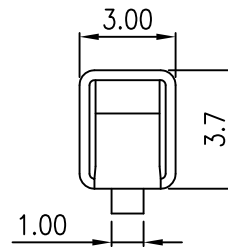
1. T : Terminal
  2. Plated
- TB : Tin-Plated



A-A



B-B



C-C



TOLERANCE	
X.	--
X.X	±0.25
X.XX	±0.15
X.XXX	±0.05
ANGULAR	--



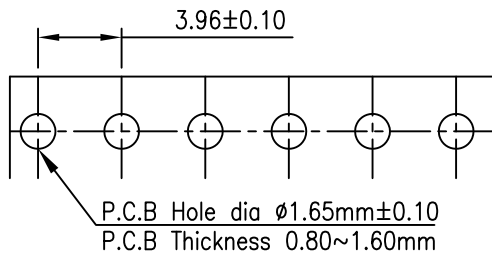
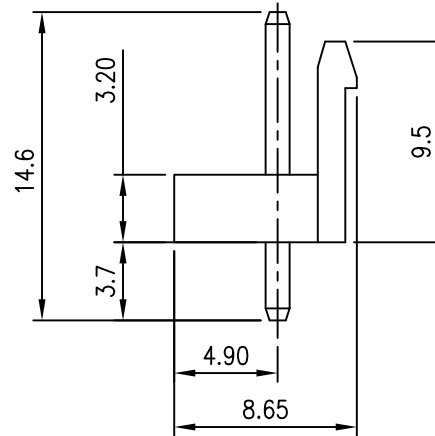
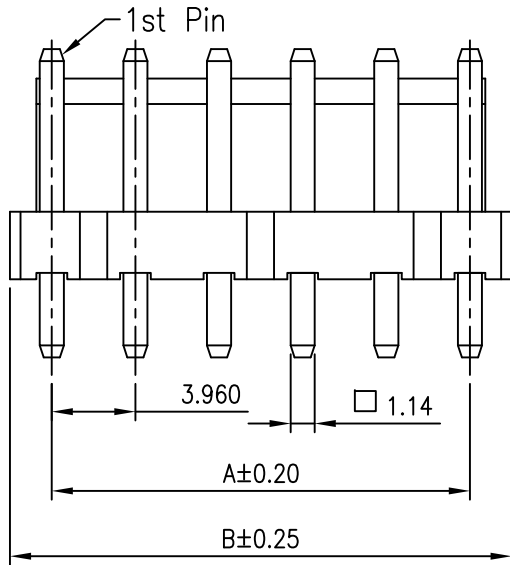
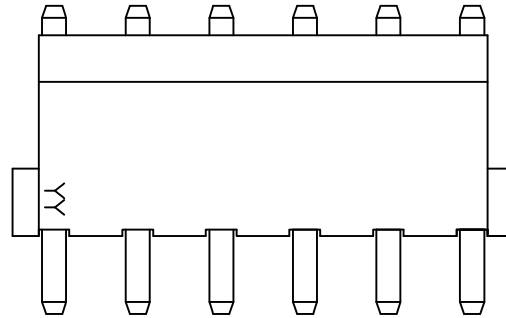
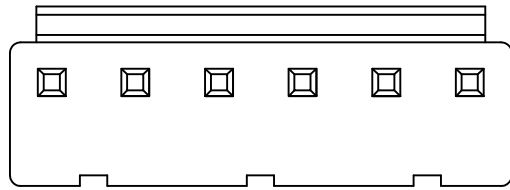
**Young Yak Enterprise Co., Ltd.**

TITLE  
 3.96mm(.156") Pitch  
 Wire to Board Terminal

APPROVALS		VIEW	SCALE	PART NO.	REV.
DRAWN	Frank		F	YY-2800-TTB	A1
CHECKED	Denise				
APPROVED	Jessica	UNIT	SIZE	DWG NO.	SHEET
		MM	A4	YY-2800-TTB-014	1 OF 1



C **RI** US E182481



PCB LAYOUT

Circuits	Dimension mm		Circuits	Dimension mm	
	A	B		A	B
2	3.96	7.92	9	31.68	35.64
3	7.92	11.88	10	35.64	39.60
4	11.88	15.84	11	39.60	43.56
5	15.84	19.80	12	43.56	47.52
6	19.80	23.76	13	47.52	51.48
7	23.76	27.72	14	51.45	55.44
8	27.72	31.68	15	55.44	59.40

REV	DESCRIPTION	DATE
A1	ECN-201210240002	2012.12.05

**NOTES**

Available in 02 through 15 Circuits  
 Housing Material: Nylon 66 UL94-V0  
 Mates with YY-2800-H Series Housing  
 1.14mm(.045") Square Pin  
 Pin Material: Brass/Tin-Plated or Gold-Plated

**ORDERING INFORMATION**

YY-2800 - W \*\* S \*  
                   1    2    3

- No. of Circuits 02~15
- S : Straight Angle
- Plated  
 T : Tin  
 G : Gold



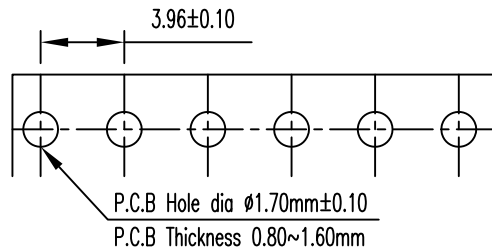
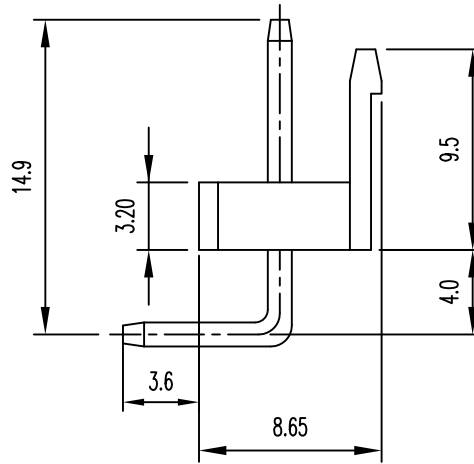
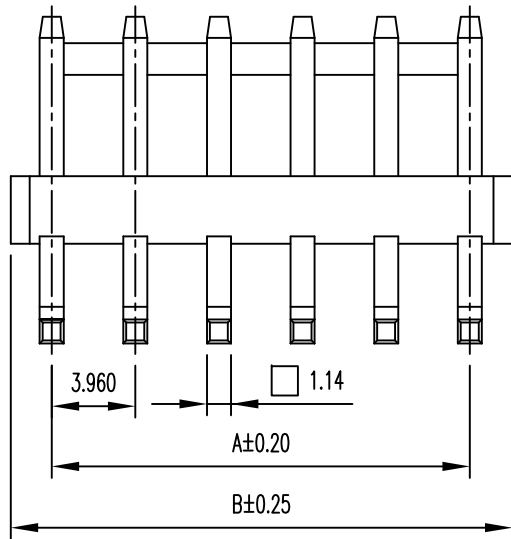
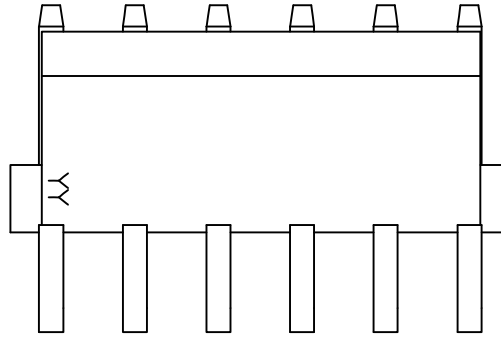
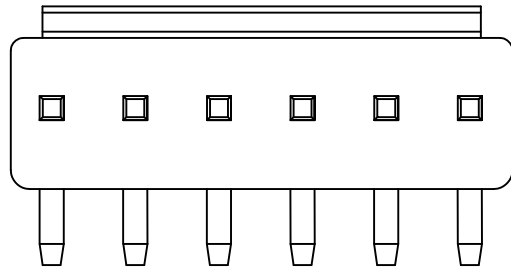
**Young Yak Enterprise Co., Ltd.**

TITLE  
 3.96mm(.156") Pitch  
 Wire to Board Header

TOLERANCE		VIEW	SCALE	PART NO.	REV.					
X.	--						3:1	YY-2800-W***S*	A1	
X.X	±0.25									
X.XX	±0.15									
X.XXX	±0.08									
ANGULAR	--									
APPROVALS			UNIT	SIZE	DWG NO.	SHEET				
DRAWN	Frank						MM	A4	YY-2800-W***S*-014	1 OF 1
CHECKED	Denise									
APPROVED	Jessica									
	05-December-2012									
	05-December-2012									
	05-December-2012									



C **UL** US E182481



PCB LAYOUT

Circuits	Dimension mm		Circuits	Dimension mm	
	A	B		A	B
2	3.96	7.92	9	31.68	35.64
3	7.92	11.88	10	35.64	39.60
4	11.88	15.84	11	39.60	43.56
5	15.84	19.80	12	43.56	47.52
6	19.80	23.76	13	47.52	51.48
7	23.76	27.72	14	51.45	55.44
8	27.72	31.68	15	55.44	59.40

REV	DESCRIPTION	DATE
A1	ECN-201210240002	2012.12.04

**NOTES**

Available in 02 through 15 Circuits  
 Housing Material: Nylon 66 UL94-V0  
 Mates with YY-2800-H Series Housing  
 1.14mm(.045") Square Pin  
 Pin Material: Brass/Tin-Plated or Gold-Plated

**ORDERING INFORMATION**

YY-2800 - W \*\* R \*  
                   1    2    3

- No. of Circuits 02~15
- R : Right Angle
- Plated  
 T : Tin  
 G : Gold



**Young Yak Enterprise Co., Ltd.**

TITLE  
 3.96mm(.156") Pitch  
 Wire to Board Header

TOLERANCE		APPROVALS		
X.	--	DRAWN	Frank	VIEW
X.X	±0.25	CHECKED	Kang	SCALE
X.XX	±0.15	APPROVED	Denise	3:1
X.XXX	±0.10			PART NO.
ANGULAR	--			YY-2800-W***R*
				REV.
				A1
				SHEET
				1 OF 1