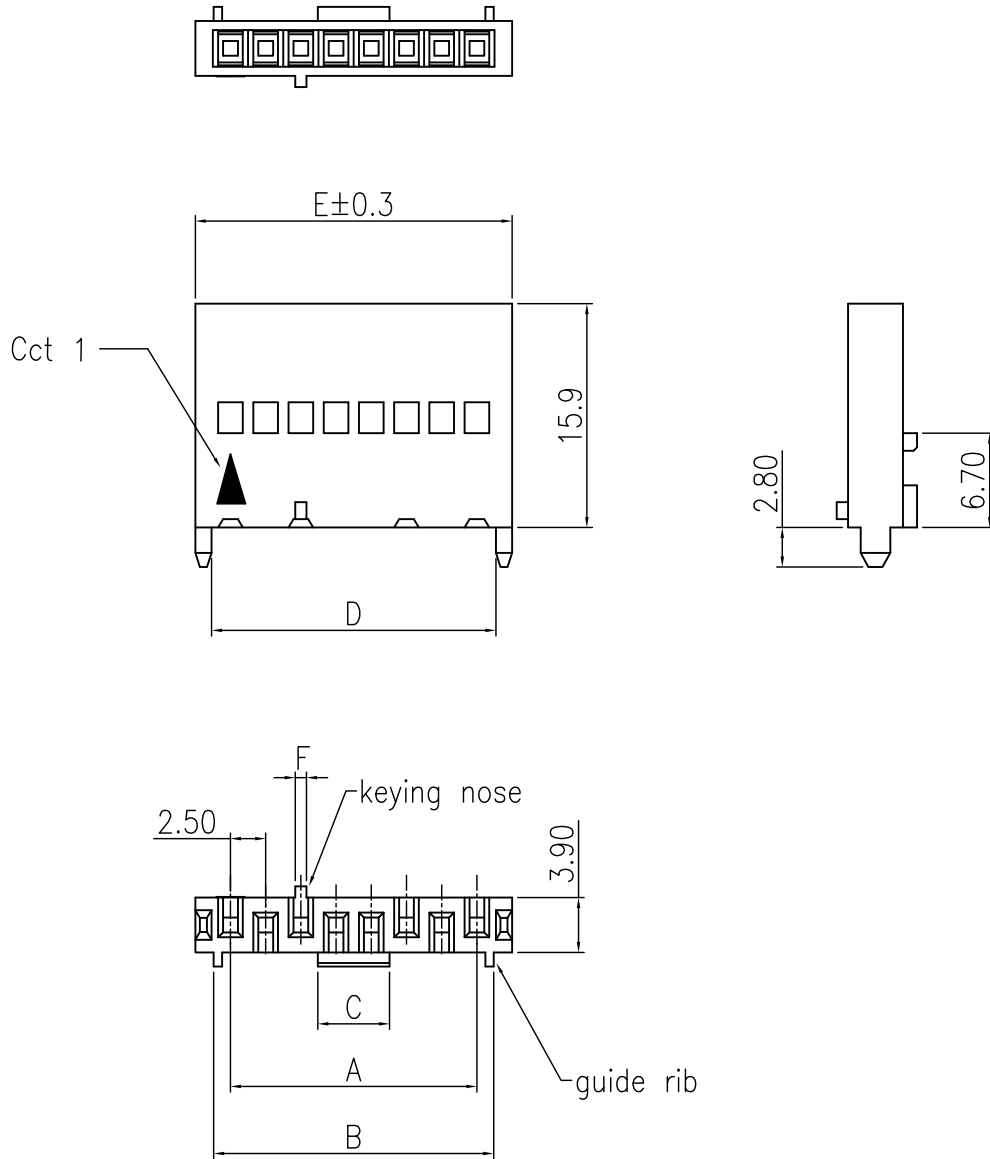




CULUS E182481

REV	DESCRIPTION	DATE
A2	EN970911-2	2008/9/11
A3	EN970915-1	2008/9/15



NOTES

Compliant with IEC 60335-1 & IEC 60695-2-11
 End-Product GWT750°C No Flame
 Body: Nylon 66 UL 94-V0
 Available in 02 ~ 13 through
 Accepts YY-A5005-T Crimp Terminal

ORDERING INFORMATION

YY-A5005 - $\frac{H}{1} \frac{**}{2} \frac{**}{3}$

1. H : Housing
2. No. of Circuits 02~13
3. Keying code to be completed by further details. (see sheet 2 of 2)



TOLERANCE		Young Yak Enterprise Co., Ltd.			
X.	--	TITLE 2.50mm Female Housing			
X.X	± 0.20				
X.XX	± 0.10				
X.XXX	± 0.05				
ANGULAR	--				
APPROVALS					
DRAWN	Frank	VIEW	SCALE	PART NO.	REV.
	06-October-2009		2:1	YY-A5005-H**-**	A3
CHECKED	Denise	UNIT	SIZE	DWG NO.	SHEET
	06-October-2009	MM	A4	YY-A5005-H**-**-014	1 OF 2
APPROVED	Jessica				
	06-October-2009				

Keying codes

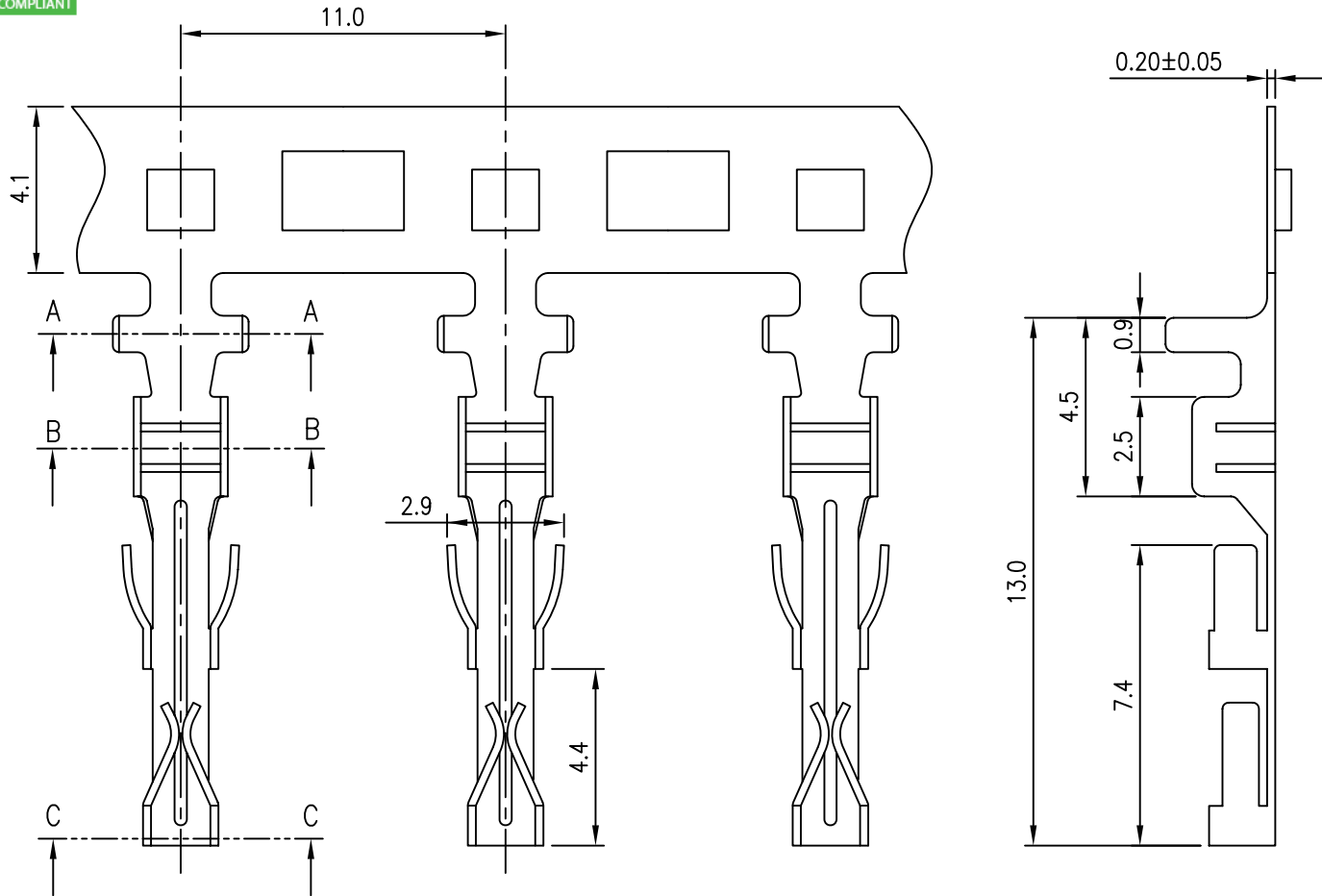
Part number	Code	A	B	C	D	E	F	CONFIGURATION
A5005-H02-00	00	2.5	5.2	1.2	5.2	7.5	--	
A5005-H03-00	00	5.0	7.7	3.2	7.7	10.0	--	
A5005-H04-00	00	7.5	10.2	5.1	10.2	12.5	--	
A5005-H05-01	01	10.0	12.4	5.1	12.7	15.0	0.8	
A5005-H06-00	00	12.5	14.9	5.1	15.2	17.5	--	
A5005-H06-02	02	12.5	14.9	5.1	15.2	17.5	0.8	
A5005-H07-00	00	15.0	17.4	5.1	17.7	20.0	--	
A5005-H08-03	03	17.5	19.9	5.1	20.2	22.5	0.8	
A5005-H09-03	03	20.0	22.4	5.1	22.7	25.0	0.8	
A5005-H10-00	00	22.5	24.9	5.1	25.2	27.5	--	
A5005-H11-04	04	25.0	27.4	5.1	27.7	30.0	0.8	
A5005-H12-00	00	27.5	29.9	5.1	30.2	32.5	--	
A5005-H13-05	05	30.0	32.4	5.1	32.7	35.0	0.8	

TOLERANCE X. -- X.X ±0.20 X.XX ±0.10 X.XXX ±0.05 ANGULAR --		Young Yak Enterprise Co., Ltd. TITLE 2.50mm Female Housing			
APPROVALS DRAWN Frank 06-October-2009 CHECKED Denise 06-October-2009 APPROVED Jessica 06-October-2009					VIEW
		UNIT MM	SIZE A4	DWG NO. YY-A5005-H**-**-014	SHEET 2 OF 2



CULUS E182481

REV	DESCRIPTION	DATE
A2	EN981201-1	2009/12/01



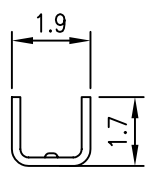
NOTES

Used in YY-A5005-H Series Housing
 Accepts AWG #20~24 Wire Range
 Insulation O.D.= 2.1 mm(max)
 Material : Phosphor Bronze
 Finish : Tin , Pre-tinned
 Qty/Reel : 8,000 PCS
 Thickness: 0.20mm

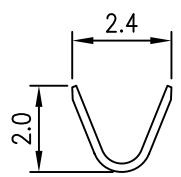
ORDERING INFORMATION

YY-A5005 - T TA P
 1 2 3

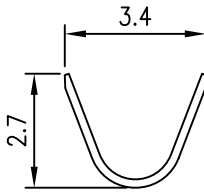
1. T : Terminal
2. TA : Tin , Pre-tinned
3. Material : Phosphor Bronze



C-C



B-B



A-A



TOLERANCE					
X.	--	TITLE 2.50mm(.098") Crimp Contacts			
X.X	±0.20				
X.XX	±0.10				
X.XXX	±0.05				
ANGULAR	--				
APPROVALS					
DRAWN	Frank 01-December-2009	VIEW	SCALE	PART NO.	REV.
CHECKED	Denise 01-December-2009		6:1	YY-A5005-TTAP	A2
APPROVED	Jessica 01-December-2009	UNIT	SIZE	DWG NO.	SHEET
		MM	A4	YY-A5005-TTAP-014	1 OF 1