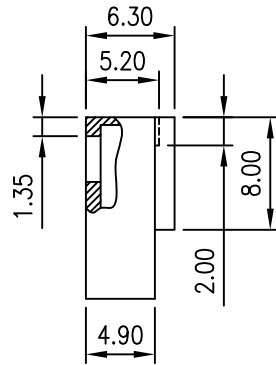
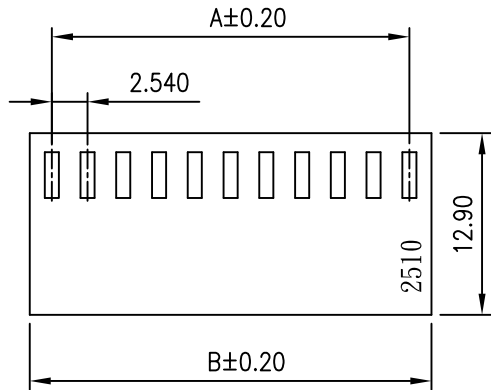


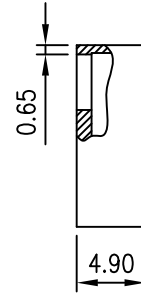


C **YI** US E182481

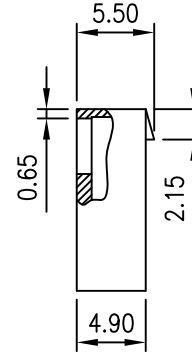
REV	DESCRIPTION	DATE
A1	EN991202-1	2010.12.02
A2	EN020220-1	2013.02.20
A3	ECR-201402130001	2014.02.13



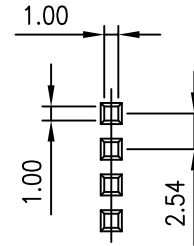
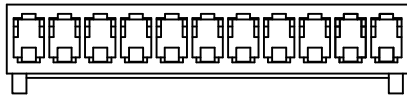
Type A



Type F



Type ZQ



Small Hole

NOTES

Available in 02 through 20 Circuits
 Material: Nylon 66 UL94-V2 or Nylon UL94-V0
 Accepts YY-1600-T Crimp Terminal
 Mates with YY-1600-W**S or YY-1600-W**R Series Header

ORDERING INFORMATION

YY-1600 - H ** * S - * - *
 $\frac{1}{1} \frac{2}{2} \frac{3}{3} \frac{4}{4} \frac{5}{5} \frac{6}{6}$

- H : Housing
- No. of Circuits 02~20
- : TYPE A
 F : TYPE F
 ZQ : TYPE ZQ (BROWN)
- S : Small Hole (1.0*1.0)
 Q : UL 94-V0
- : UL 94-V2
 Q : UL 94-V0
- Color
 □ : Nature
 J : White

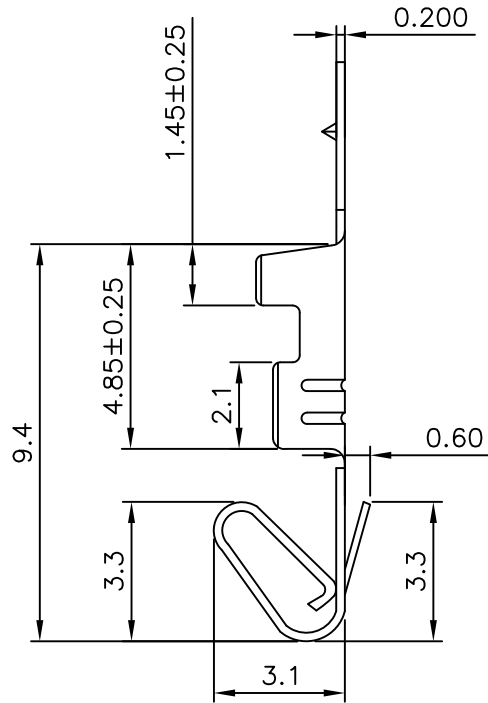
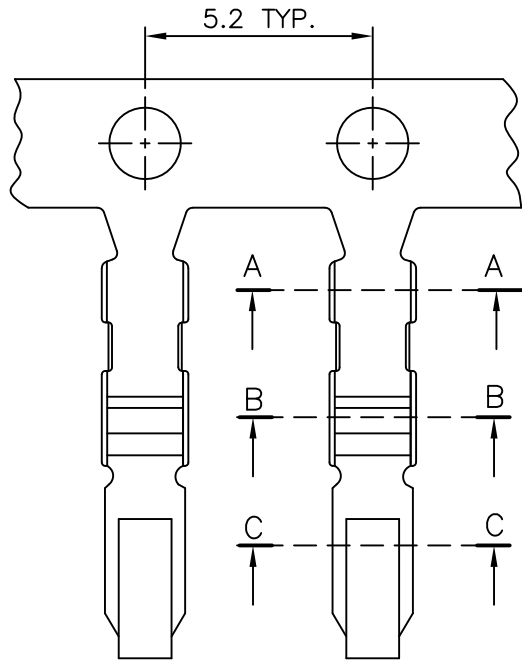
Circuits	Dimension mm		Circuits	Dimension mm		Circuits	Dimension mm	
	A	B		A	B		A	B
2	2.54	5.70	9	20.32	23.50	16	38.10	41.30
3	5.08	8.20	10	22.86	26.00	17	40.64	43.80
4	7.62	10.80	11	25.40	28.60	18	43.18	46.30
5	10.16	13.30	12	27.94	31.10	19	45.72	48.90
6	12.70	15.90	13	30.48	33.60	20	48.26	51.40
7	15.24	18.40	14	33.02	36.20	--	--	--
8	17.78	20.90	15	35.56	38.70	--	--	--

TOLERANCE		Young Yak Enterprise Co., Ltd.			
X.	--	TITLE 2.54mm(.100") Pitch Wire to Board Housing			
X.X	±0.25				
X.XX	±0.10				
X.XXX	±0.05				
ANGULAR	--				
APPROVALS					
DRAWN	Kang	VIEW	SCALE	PART NO.	REV.
	02-April-2014		2:1	YY-1600-H***S-**-*	A3
CHECKED	Denise	UNIT	SIZE	DWG NO.	SHEET
	02-April-2014	MM	A4	YY-1600-H***S-**-*-014	1 OF 1
APPROVED	Jessica				
	02-April-2014				



RoHS compliant

REV	DESCRIPTION	DATE



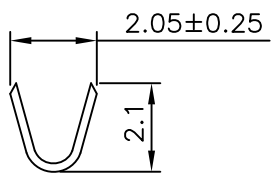
NOTES

Used in YY-1600-H** Series Housing
 Accepts AWG #22~28 Wire Range
 Insulation O.D.= 1.10 mm(max)
 Material : Brass
 Finish : Tin , Pre-tinned
 Qty/Reel : 10,000 PCS
 Thickness: 0.2mm

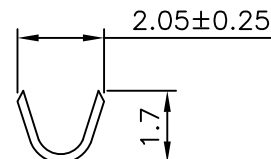
ORDERING INFORMATION

YY-1600 - T TA
 1 2

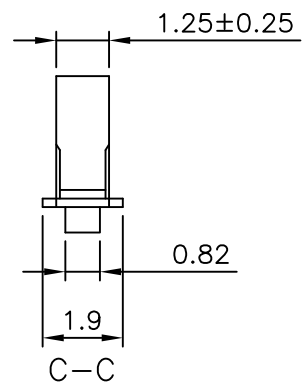
- 1. T : Terminal
- 2. TA : Tin , Pre-tinned



A-A


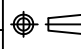


B-B



C-C

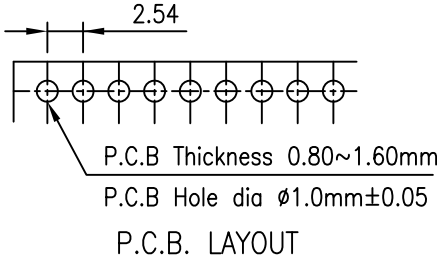
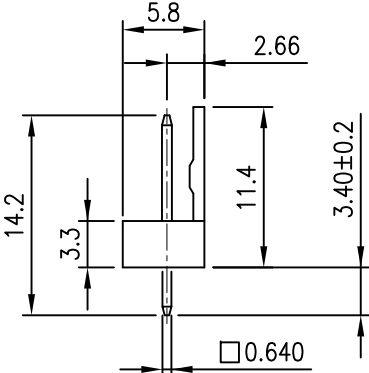
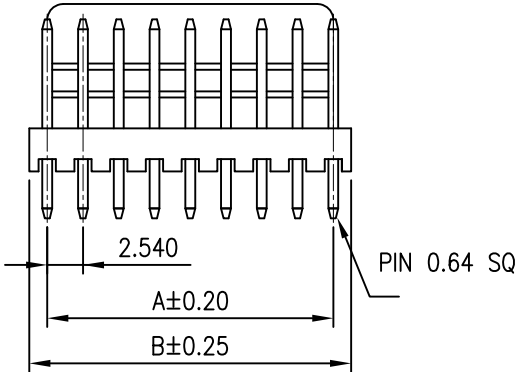
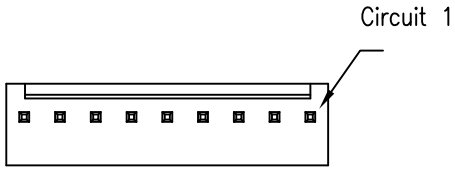


TOLERANCE X. -- X.X ±0.25 X.XX ±0.15 X.XXX ±0.05 ANGULAR --		 Young Yak Enterprise Co., Ltd. TITLE 2.54mm(.100") Pitch Wire to Board Terminal			
APPROVALS DRAWN Frank 06-NOVEMBER-2008 CHECKED Denise 06-NOVEMBER-2008 APPROVED Jessica 06-NOVEMBER-2008					VIEW 
		UNIT MM	SIZE A4	DWG NO. YY-1600-TTA-014	SHEET 1 OF 1



C **YI** US E182481

REV	DESCRIPTION	DATE



Circuits	Dimension mm	
	A	B
2	2.54	5.08
A: 2.54 X (PART NO. OF PIN-1)		
B: 2.54 +A		
20	48.26	50.80

NOTES

Available in 2 Through 20 Circuits
 Material: Nylon 66 UL94-V2
 Mates with YY-1600-H** Series Housing
 0.64mm(.025") Squard Pin
 Pin Material: Brass/Tin-Plated or Gold-Plated

ORDERING INFORMATION

YY-1600 - W ** S *
 1 2 3

- No. of Circuits 02~20
- S : Straight Angle
- Plated
 T : Tin
 G : Gold

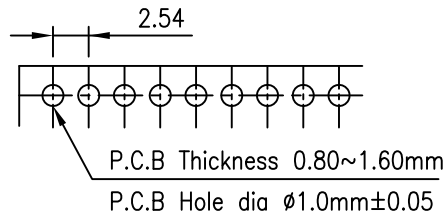
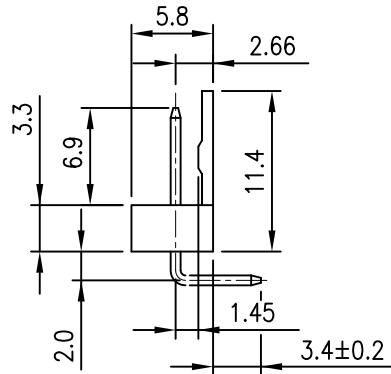
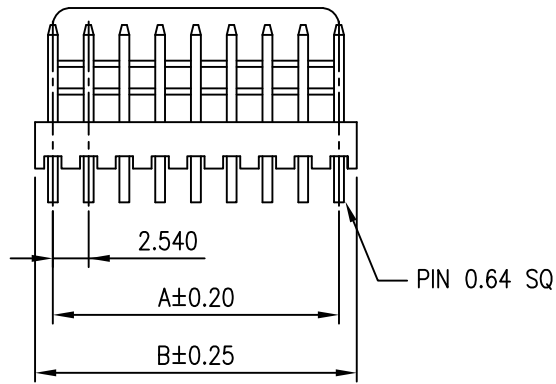
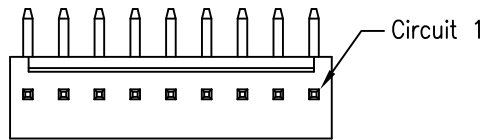


TOLERANCE				
X.	--	Young Yak Enterprise Co., Ltd. TITLE 2.54mm(.100") Pitch Wire to Board Header		
X.X	±0.25			
X.XX	±0.15			
X.XXX	±0.05			
ANGULAR	--			
APPROVALS		VIEW		
DRAWN	Frank	SCALE	PART NO.	REV.
	19-September-2009	2:1	YY-1600-W**S*	A0
CHECKED	Denise	UNIT	SIZE	DWG NO.
	19-September-2009	MM	A4	YY-1600-W**S*-014
APPROVED	Jessica			SHEET
	19-September-2009			1 OF 1



US E182481

REV	DESCRIPTION	DATE



P.C.B. LAYOUT

NOTES

Available in 2 Through 20 Circuits
 Material: Nylon 66 UL94-V2
 Mates with YY-1600-H** Series Housing
 0.64mm(.025") Squard Pin
 Pin Material: Brass/Tin-Plated or Gold-Plated

ORDERING INFORMATION

YY-1600 - W ** R *
 1 2 3

- No. of Circuits 02~20
- R : Right Angle
- Plated
 T : Tin
 G : Gold

Circuits	Dimension mm		
	A	B	
2	2.54	5.08	
A: 2.54 X (PART NO. OF PIN-1)			
B: 2.54 +A			
20	48.26	50.80	

TOLERANCE					
X.	--	TITLE 2.54mm(.100") Pitch Wire to Board Header			
X.X	±0.25				
X.XX	±0.15				
X.XXX	±0.05				
ANGULAR	--				
APPROVALS					
DRAWN	Frank	VIEW	SCALE	PART NO.	REV.
	05-December-2009		2:1	YY-1600-W***R*	A0
CHECKED	Denise	UNIT	SIZE	DWG NO.	SHEET
	05-December-2009	MM	A4	YY-1600-W***R*-014	1 OF 1
APPROVED	Jessica				
	05-December-2009				

