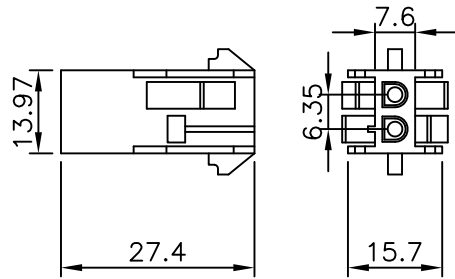
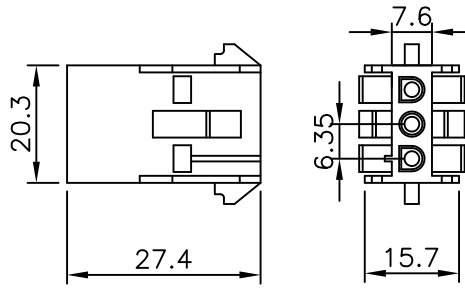




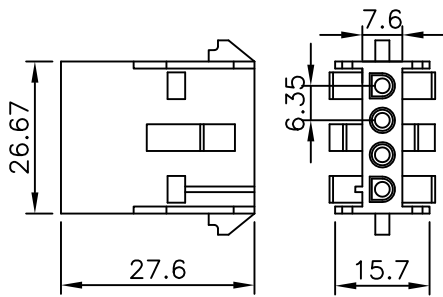
C **YI** US E182481



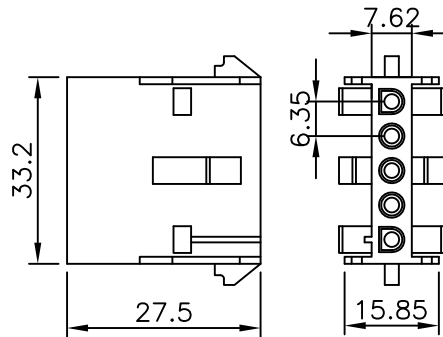
YY-4000-H02FS-GT



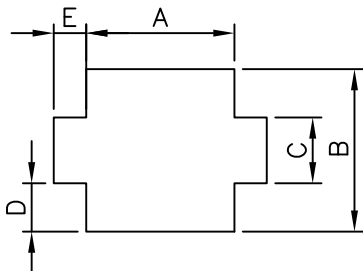
YY-4000-H03FS-GT



YY-4000-H04FS-GT



YY-4000-H05FS-GT



RECOMMENDED PANEL CUTOUT

Young Yak  
2012.09.26  
ISSUED

PART NO.	DIMENSIONS				
	A±0.127	B±0.127	C±0.254	D±0.254	E±0.25
YY-4000-H02FS-GT	14.35	13.46	8.64	2.41	4.45
YY-4000-H03FS-GT	20.7	13.46	8.64	2.41	4.45
YY-4000-H04FS-GT	27.05	13.46	8.64	2.41	4.45
YY-4000-H05FS-GT	33.40	13.46	8.64	2.41	4.45
YY-4000-H06F1-GT	14.35	26.16	12.19	6.99	4.45
YY-4000-H09F1-GT	20.70	26.16	12.19	6.99	4.45
YY-4000-H12F1-GT	27.05	26.16	12.19	6.99	4.45
YY-4000-H15F1-GT	33.40	26.16	12.19	6.99	4.45

REV	DESCRIPTION	DATE
A5	EN000225-1	2011.02.25
A6	EN010918-1	2012.09.18

**NOTES**

Compliant with IEC 60335-1 & IEC 60695-2-11  
 End-Product GWT750°C No Flame  
 Available in 2 through 15 Circuits  
 Body: Nylon 66 UL94-V0  
 Accepts YY-4000-TF , YY-4000-TM , YY-4000-TM\*\*\*Z  
 Crimp Terminal  
 Mates with YY-4000-H\*\*M\* series Housing

**SPECIFICATION**

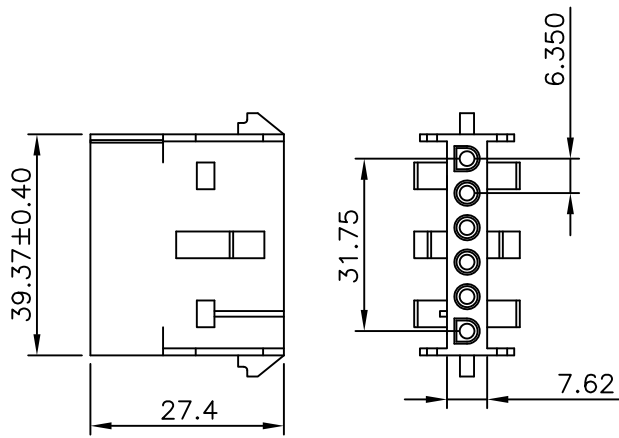
Voltage rating: 600V AC/DC  
 Current rating: 13A Max. (2~4 Circuits)  
 Current rating: 11A Max. (5~15 Circuits)  
 Insulation Resistance: 1000MΩ Min.  
 Dielectric Withstanding Voltage: 5000V AC/minute  
 Operation temperature: -40°C to +105°C

**ORDERING INFORMATION**

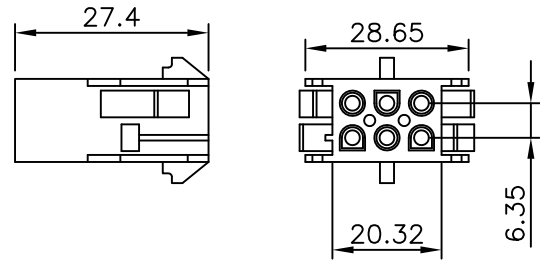
YY - 4000 - H \*\* F \* - GT  
                   1 2 3 4

- H : Housing
- No. of Circuits 02 ~ 15
- F : Female
- 1 : Dual Row  
S : Single Row

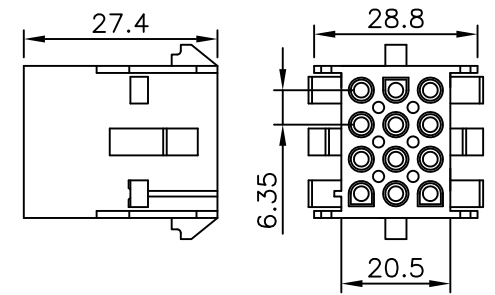
TOLERANCE		Young Yak Enterprise Co., Ltd.			
X.	--	TITLE 6.35mm(.250") Pitch Female Housing			
X.X	±0.40				
X.XX	±0.25				
X.XXX	±0.08				
ANGULAR	--				
APPROVALS					
DRAWN	Frank	VIEW	SCALE	PART NO.	REV.
	18-September-2012		F	YY-4000-H**F*-GT	A6
CHECKED	Kang	UNIT	SIZE	DWG NO.	SHEET
	18-September-2012	MM	A4	YY-4000-H**F*-GT-085	1 OF 2
APPROVED	Denise				
	18-September-2012				



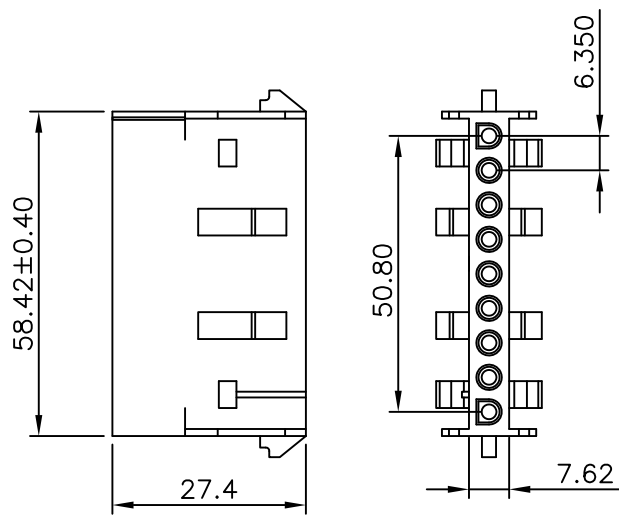
YY-4000-H06FS-GT



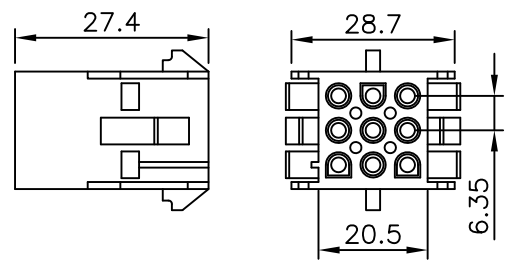
YY-4000-H06F1-GT



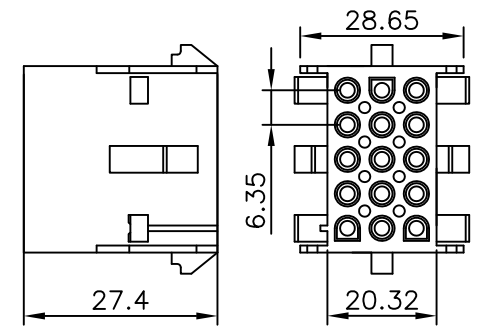
YY-4000-H12F1-GT




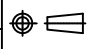
YY-4000-H09FS-GT



YY-4000-H09F1-GT

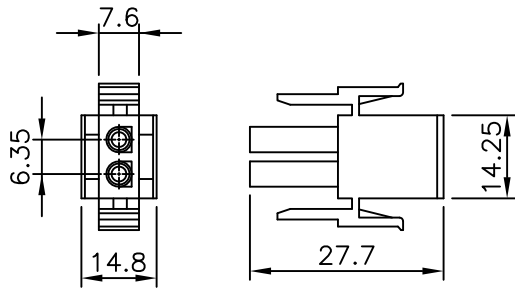


YY-4000-H15F1-GT

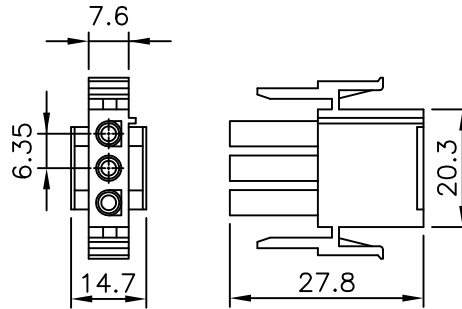
TOLERANCE		 <b>Young Yak Enterprise Co., Ltd.</b> TITLE 6.35mm(.250") Pitch Female Housing			
X.	--				
X.X	±0.40				
X.XX	±0.25				
X.XXX	±0.08				
ANGULAR		--			
APPROVALS					
DRAWN	Frank	VIEW	SCALE	PART NO.	REV.
	18-September-2012		F	YY-4000-H**F*-GT	A6
CHECKED	Kang	UNIT	SIZE	DWG NO.	SHEET
	18-September-2012	MM	A4	YY-4000-H**F*-GT-085	2 OF 2
APPROVED	Denise				
	18-September-2012				



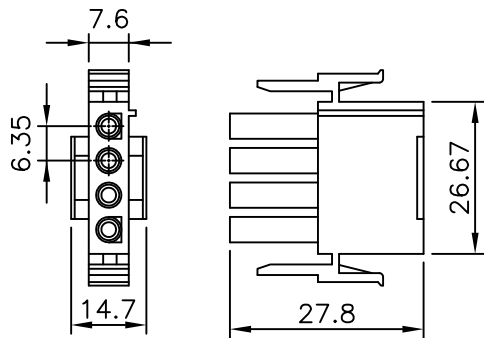
C **RI** US E182481



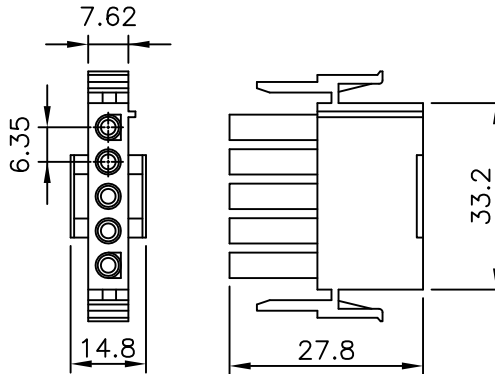
YY-4000-H02MS-GT



YY-4000-H03MS-GT



YY-4000-H04MS-GT



YY-4000-H05MS-GT

REV	DESCRIPTION	DATE
A5	EN000526-1	2011.05.26
A6	EN010918-1	2012.09.18

**NOTES**

Compliant with IEC 60335-1 & IEC 60695-2-11  
 End-Product GW750°C No Flame  
 Available in 2 through 15 Circuits  
 Body: Nylon 66 UL94-V2  
 Accepts YY-4000-TF , YY-4000-TM , YY-4000-TM\*\*\*Z  
 Crimp Terminal  
 Mates with YY-4000-W\*\*F\*ST , YY-4000-W\*\*FSRT  
 YY-4000-W\*\*M\*ST , YY-4000-W\*\*MSRT  
 Series Header  
 Mates with YY-4000-H\*\*F\* series Housing

**SPECIFICATION**

Voltage rating: 600V AC/DC  
 Current rating: 13A Max. (2~4 Circuits)  
 Current rating: 11A Max. (5~15 Circuits)  
 Insulation Resistance: 1000MΩ Min.  
 Dielectric Withstanding Voltage: 5000V AC/minute  
 Operation temperature: -40°C to +105°C

**ORDERING INFORMATION**

YY - 4000 - H \*\* M \* - GT  
 1 2 3 4

- 1. H : Housing
- 2. No. of Circuits 02 ~ 15
- 3. M : Male
- 4. 1 : Dual Row  
S : Single Row



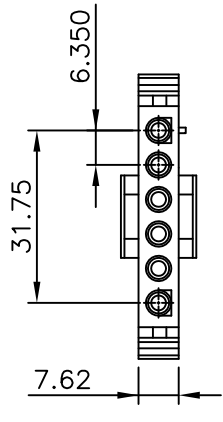
TOLERANCE	
X.	--
X.X	±0.40
X.XX	±0.25
X.XXX	±0.08
ANGULAR	--



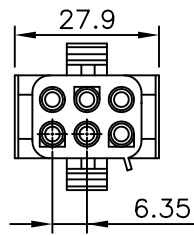
**Young Yak Enterprise Co., Ltd.**

TITLE  
 6.35mm(.250") Pitch Male Housing

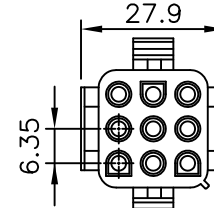
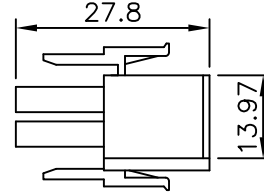
APPROVALS		VIEW	SCALE	PART NO.	REV.
DRAWN	Frank		F	YY-4000-H**M*-GT	A6
CHECKED	Kang				
APPROVED	Denise	UNIT	SIZE	DWG NO.	SHEET
		MM	A4	YY-4000-H**M*-GT-085	1 OF 2



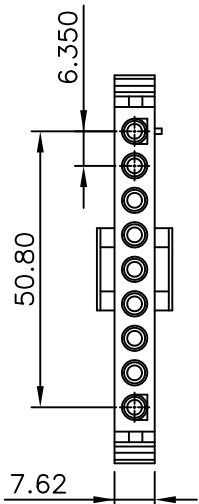
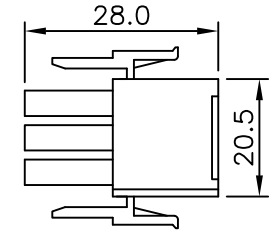
YY-4000-H06MS-GT



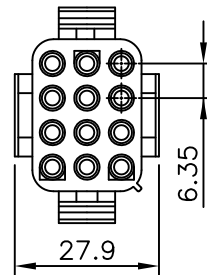
YY-4000-H06M1-GT



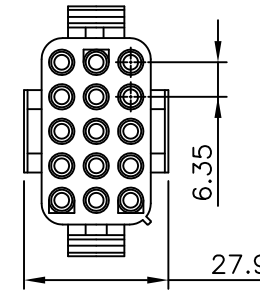
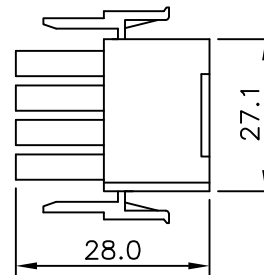
YY-4000-H09M1-GT



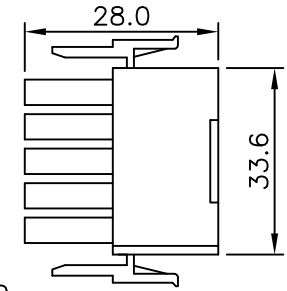
YY-4000-H09MS-GT


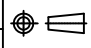


YY-4000-H12M1-GT



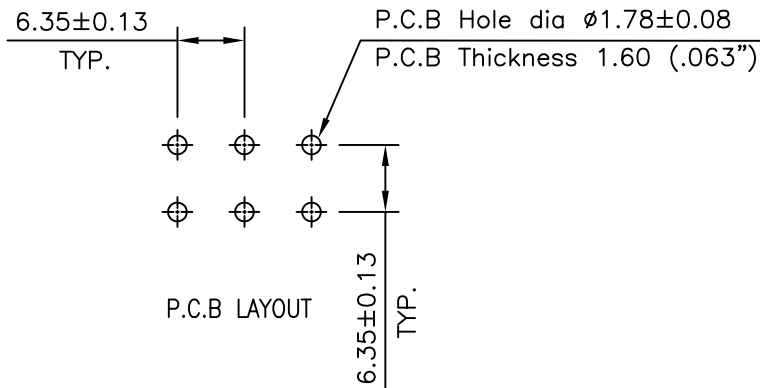
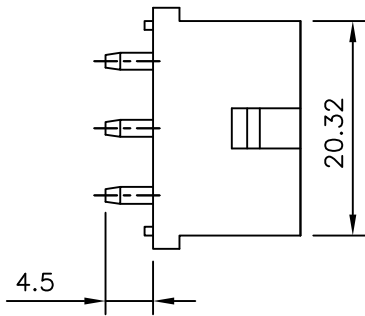
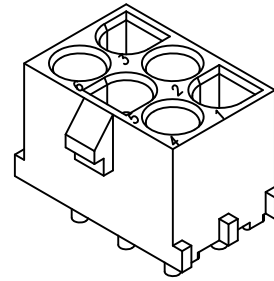
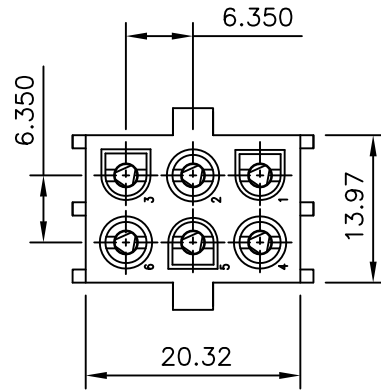
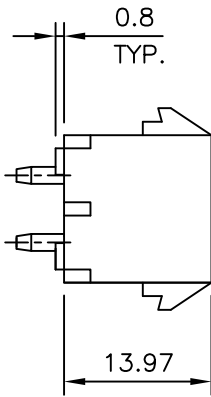
YY-4000-H15M1-GT



TOLERANCE		 <b>Young Yak Enterprise Co., Ltd.</b> TITLE 6.35mm(.250") Pitch Male Housing			
X.	--				
X.X	±0.40				
X.XX	±0.25				
X.XXX	±0.08				
ANGULAR		--			
APPROVALS					
DRAWN	Frank	VIEW	SCALE	PART NO.	REV.
	18-September-2012		F	YY-4000-H***M*-GT	A6
CHECKED	Kang	UNIT	SIZE	DWG NO.	SHEET
	18-September-2012	MM	A4	YY-4000-H***M*-GT-085	2 OF 2
APPROVED	Denise				
	18-September-2012				



C **Y** US E182481



REV	DESCRIPTION	DATE
A4	EN001107-1	2011.11.08
A5	EN010918-1	2012.09.18

### NOTES

Compliant with IEC 60335-1 & IEC 60695-2-11  
End-Product GWT750°C No Flame

Available in 06 Circuits

Material: Nylon 66 UL94-V0

Contact Material: Phosphor bronze

Contact Plated: Tin-plated

Mates with YY-4000-H06M series Housing

### SPECIFICATION

Voltage rating: 600V AC/DC

Current rating: 11A

Insulation Resistance: 1000MΩ Min.

Dielectric Withstanding Voltage: 2900V AC/minute

Operation temperature: -40°C to +105°C

### ORDERING INFORMATION

**YY-4000 - W 06 F S T - GT**  
**1 2 3 4**

1. No. of Circuits 06

2. F : Female Type

3. S : Straight

4. T : Tin

TOLERANCE	
X.	--
X.X	±0.40
X.XX	±0.25
X.XXX	±0.08
ANGULAR	--
APPROVALS	
DRAWN	Frank
18-September-2012	
CHECKED	Kang
18-September-2012	
APPROVED	Denise
18-September-2012	



**Young Yak Enterprise Co., Ltd.**

TITLE 6.35mm(.250") Pitch

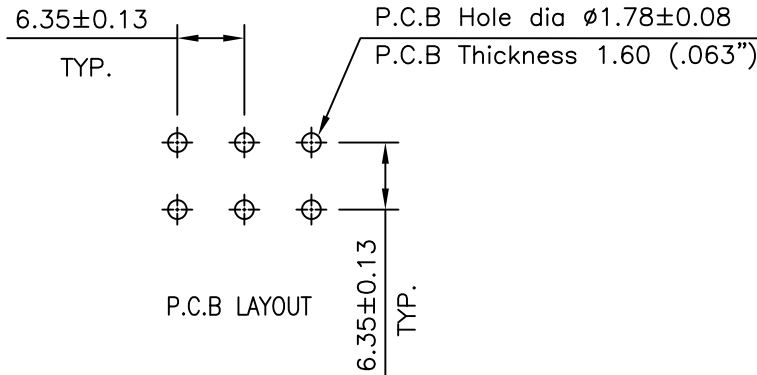
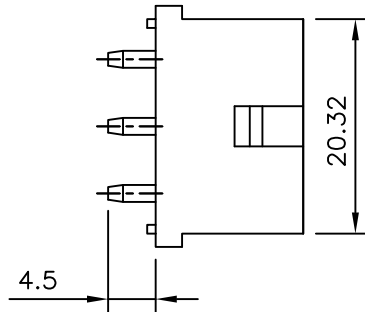
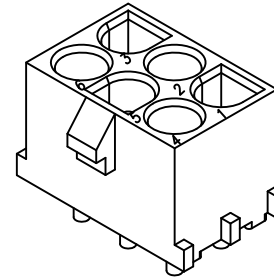
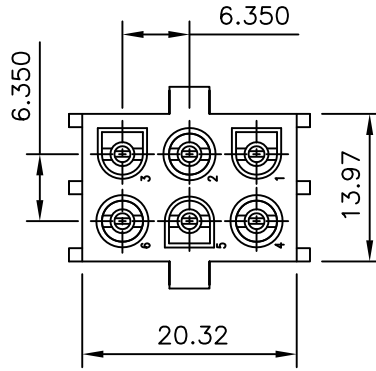
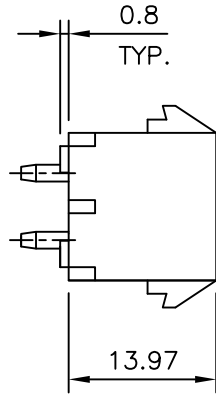
Wire to Board Header (6 POS.)

DRAWN	VIEW	SCALE	PART NO.	REV.
Frank		1:1	YY-4000-W06FST-GT	A5
18-September-2012		UNIT	DWG NO.	SHEET
Kang	MM	A4	YY-4000-W06FST-GT-085	1 OF 1
18-September-2012				





C US E182481



REV	DESCRIPTION	DATE
A4	EN001107-1	2011.11.08
A5	EN010918-1	2012.09.18

### NOTES

Compliant with IEC 60335-1 & IEC 60695-2-11  
 End-Product GWT750°C No Flame  
 Available in 06 Circuits  
 Material: Nylon 66 UL94-V0  
 Contact Material: Phosphor bronze  
 Contact Plated: Tin-plated  
 Mates with YY-4000-H06M series Housing

### SPECIFICATION

Voltage rating: 600V AC/DC  
 Current rating: 11A  
 Insulation Resistance: 1000MΩ Min.  
 Dielectric Withstanding Voltage: 2900V AC/minute  
 Operation temperature: -40°C to +105°C

### ORDERING INFORMATION

**YY-4000 - W 06 M S T - GT**  
**1 2 3 4**

- No. of Circuits 06
- M : Male Type (Split Pin)
- S : Straight
- T : Tin

TOLERANCE	
X.	--
X.X	±0.40
X.XX	±0.25
X.XXX	±0.08
ANGULAR	--



**Young Yak Enterprise Co., Ltd.**

TITLE: 6.35mm(.250") Pitch  
 Wire to Board Header (6 POS.)

APPROVALS		VIEW	SCALE	PART NO.	REV.
DRAWN	Frank		1:1	YY-4000-W06MST-GT	A5
CHECKED	Kang				
APPROVED	Denise	UNIT	SIZE	DWG NO.	SHEET
		MM	A4	YY-4000-W06MST-GT-085	1 OF 1





C **YI** US E182481

REV	DESCRIPTION	DATE
A4	EN001107-1	2011.11.08
A5	EN010918-1	2012.09.18

### NOTES

Compliant with IEC 60335-1 & IEC 60695-2-11  
End-Product GWT750°C No Flame

Available in 09 Circuits

Material: Nylon 66 UL94-V0

Contact Material: Phosphor bronze

Contact Plated: Tin-plated

Mates with YY-4000-H09M series Housing

### SPECIFICATION

Voltage rating: 600V AC/DC

Current rating: 11A

Insulation Resistance: 1000MΩ Min.

Dielectric Withstanding Voltage: 2900V AC/minute

Operation temperature: -40°C to +105°C

### ORDERING INFORMATION

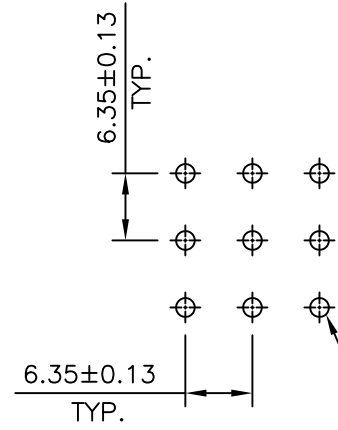
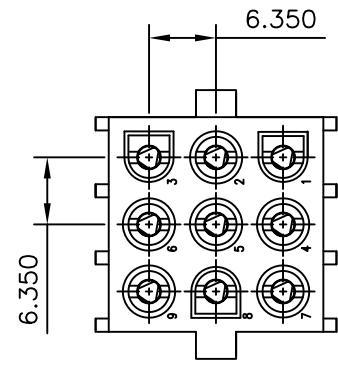
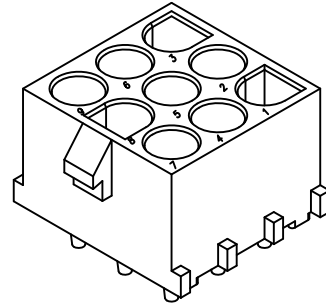
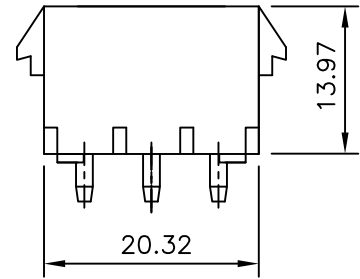
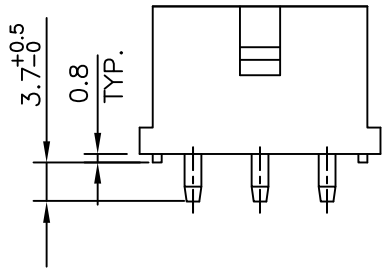
**YY-4000 - W 09 F S T - GT**  
**1 2 3 4**

1. No. of Circuits 09

2. F : Female Type

3. S : Straight

4. T : Tin



P.C.B Hole dia  $\phi 1.78 \pm 0.08$   
P.C.B Thickness 1.60 (.063")

P.C.B LAYOUT

TOLERANCE	
X.	--
X.X	±0.40
X.XX	±0.25
X.XXX	±0.08
ANGULAR	--



TITLE 6.35mm(.250") Pitch  
Wire to Board Header (9 POS.)

APPROVALS		VIEW	SCALE	PART NO.	REV.
DRAWN	Frank		1:1	YY-4000-W09FST-GT	A5
CHECKED	Kang				
APPROVED	Denise	UNIT	SIZE	DWG NO.	SHEET
		MM	A4	YY-4000-W09FST-GT-085	1 OF 1





C US E182481

REV	DESCRIPTION	DATE
A4	EN001107-1	2011.11.08
A5	EN010918-1	2012.09.18

### NOTES

Compliant with IEC 60335-1 & IEC 60695-2-11  
End-Product GWT750°C No Flame

Available in 09 Circuits

Material: Nylon 66 UL94-V0

Contact Material: Phosphor bronze

Contact Plated: Tin-plated

Mates with YY-4000-H09M series Housing

### SPECIFICATION

Voltage rating: 600V AC/DC

Current rating: 11A

Insulation Resistance: 1000MΩ Min.

Dielectric Withstanding Voltage: 2900V AC/minute

Operation temperature: -40°C to +105°C

### ORDERING INFORMATION

YY-4000 - W 09 M S T - GT

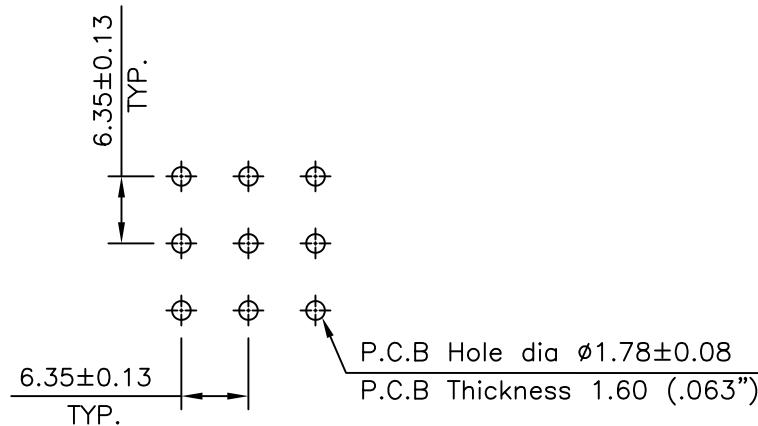
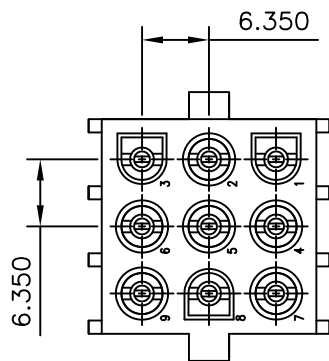
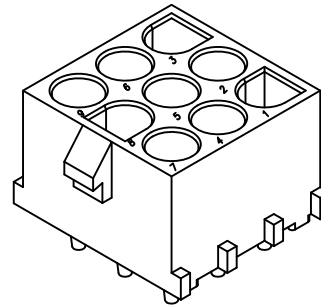
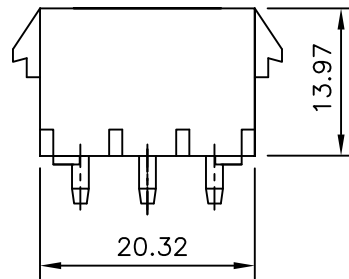
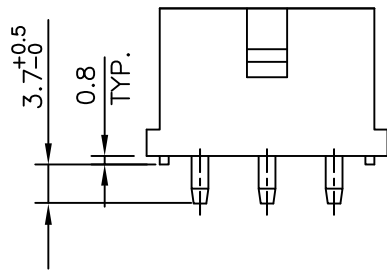
1 2 3 4

1. No. of Circuits 09

2. M : Male Type (Split Pin)

3. S : Straight

4. T : Tin



P.C.B LAYOUT

TOLERANCE	
X.	--
X.X	±0.40
X.XX	±0.25
X.XXX	±0.08
ANGULAR	--



**Young Yak Enterprise Co., Ltd.**

TITLE 6.35mm(.250") Pitch  
Wire to Board Header (9 POS.)

APPROVALS	
DRAWN	Frank
CHECKED	Kang
APPROVED	Denise

VIEW	SCALE	PART NO.	REV.
	1:1	YY-4000-W09MST-GT	A5
UNIT	SIZE	DWG NO.	SHEET
MM	A4	YY-4000-W09MST-GT-085	1 OF 1







C **YI** US E182481

REV	DESCRIPTION	DATE
A4	EN001107-1	2011.11.08
A5	EN010918-1	2012.09.18

### NOTES

Compliant with IEC 60335-1 & IEC 60695-2-11  
End-Product GWT750°C No Flame

Available in 12 Circuits

Material: Nylon 66 UL94-V0

Contact Material: Phosphor bronze

Contact Plated: Tin-plated

Mates with YY-4000-H12M series Housing

### SPECIFICATION

Voltage rating: 600V AC/DC

Current rating: 11A

Insulation Resistance: 1000MΩ Min.

Dielectric Withstanding Voltage: 2900V AC/minute

Operation temperature: -40°C to +105°C

### ORDERING INFORMATION

**YY-4000 - W 12 F S T - GT**

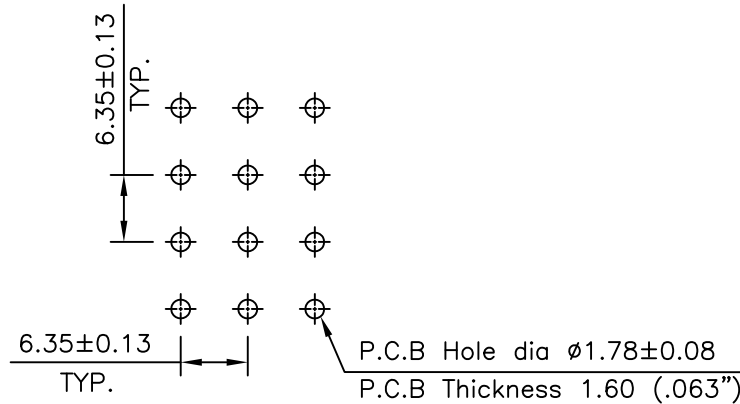
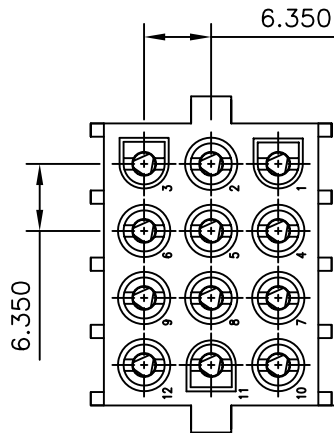
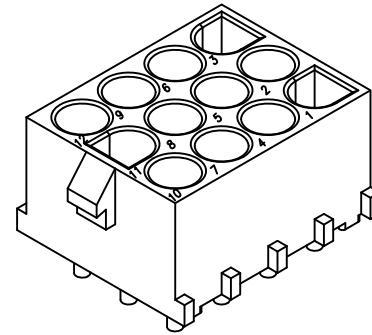
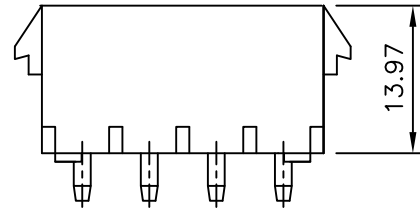
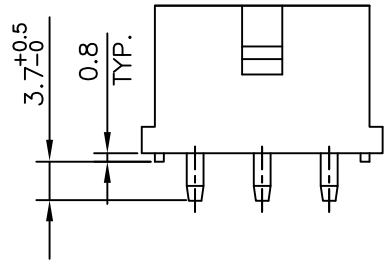
**1 2 3 4**

1. No. of Circuits 12

2. F : Female Type

3. S : Straight

4. T : Tin



P.C.B LAYOUT

TOLERANCE	
X.	--
X.X	±0.40
X.XX	±0.25
X.XXX	±0.08
ANGULAR	--



**Young Yak Enterprise Co., Ltd.**

TITLE: 6.35mm(.250") Pitch  
Wire to Board Header (12 POS.)

APPROVALS		VIEW	SCALE	PART NO.	REV.
DRAWN	Frank		1:1	YY-4000-W12FST-GT	A5
CHECKED	Kang				
APPROVED	Denise	UNIT	SIZE	DWG NO.	SHEET
		MM	A4	YY-4000-W12FST-GT-085	1 OF 1





C **YI** US E182481

REV	DESCRIPTION	DATE
A4	EN001107-1	2011.11.08
A5	EN010918-1	2012.09.18

### NOTES

Compliant with IEC 60335-1 & IEC 60695-2-11  
 End-Product GWT750°C No Flame  
 Available in 12 Circuits  
 Material: Nylon 66 UL94-V0  
 Contact Material: Phosphor bronze  
 Contact Plated: Tin-plated  
 Mates with YY-4000-H12M series Housing

### SPECIFICATION

Voltage rating: 600V AC/DC  
 Current rating: 11A  
 Insulation Resistance: 1000MΩ Min.  
 Dielectric Withstanding Voltage: 2900V AC/minute  
 Operation temperature: -40°C to +105°C

### ORDERING INFORMATION

**YY-4000 - W 12 M S T - GT**  
**1 2 3 4**

- No. of Circuits 12
- M : Male Type (Split Pin)
- S : Straight
- T : Tin

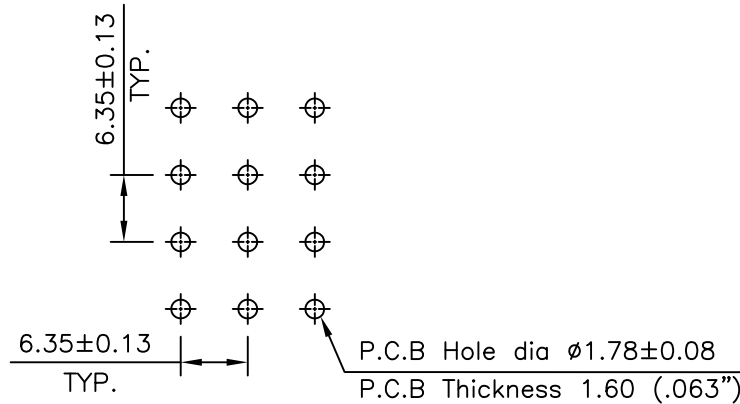
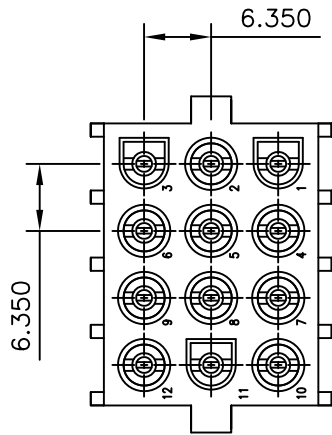
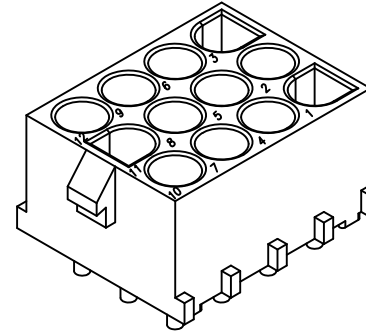
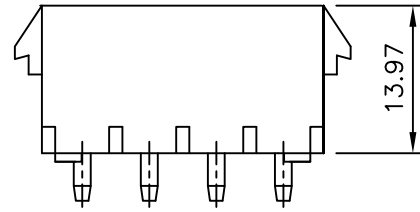
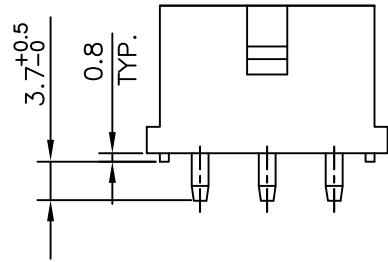
TOLERANCE	
X.	--
X.X	±0.40
X.XX	±0.25
X.XXX	±0.08
ANGULAR	--
APPROVALS	
DRAWN	Frank
CHECKED	Kang
APPROVED	Denise



**Young Yak Enterprise Co., Ltd.**

TITLE 6.35mm(.250") Pitch  
 Wire to Board Header (12 POS.)

VIEW	SCALE	PART NO.	REV.
	1:1	YY-4000-W12MST-GT	A5
UNIT	SIZE	DWG NO.	SHEET
MM	A4	YY-4000-W12MST-GT-085	1 OF 1



P.C.B LAYOUT





C **YI** US E182481

REV	DESCRIPTION	DATE
A4	EN001107-1	2011.11.08
A5	EN010918-1	2012.09.18

**NOTES**

Compliant with IEC 60335-1 & IEC 60695-2-11  
End-Product GWT750°C No Flame

Available in 15 Circuits

Material: Nylon 66 UL94-V0

Contact Material: Phosphor bronze

Contact Plated: Tin-plated

Mates with YY-4000-H15M series Housing

**SPECIFICATION**

Voltage rating: 600V AC/DC

Current rating: 11A

Insulation Resistance: 1000MΩ Min.

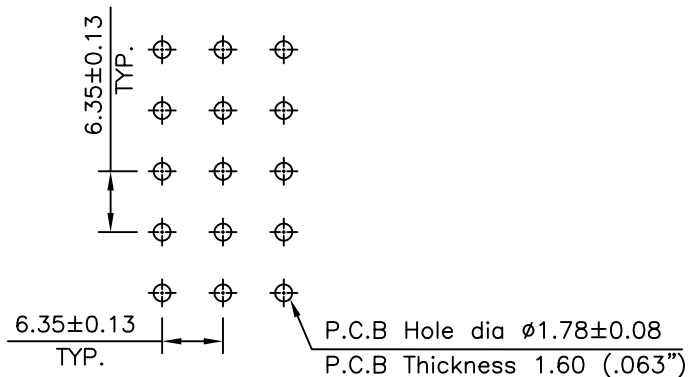
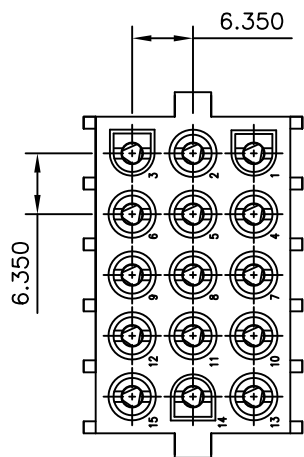
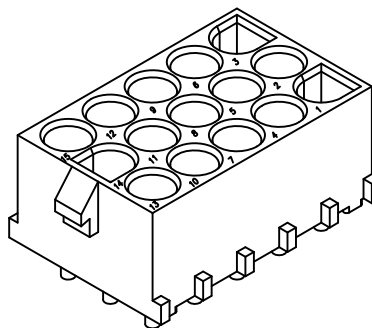
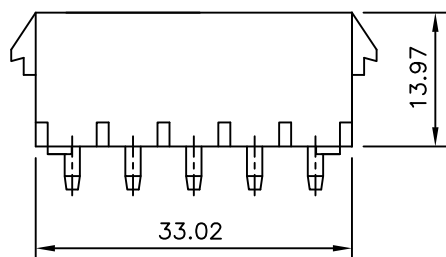
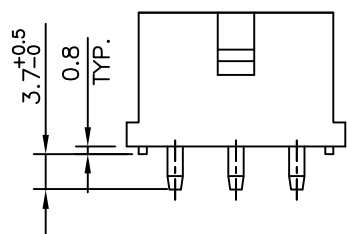
Dielectric Withstanding Voltage: 2900V AC/minute

Operation temperature: -40°C to +105°C

**ORDERING INFORMATION**

**YY-4000 - W 15 F S T - GT**  
**1 2 3 4**

- No. of Circuits 15
- F : Female Type
- S : Straight
- T : Tin



P.C.B LAYOUT

TOLERANCE					
X.	--	TITLE 6.35mm(.250") Pitch			
X.X	±0.40				
X.XX	±0.25	Wire to Board Header (15 POS.)			
X.XXX	±0.08				
ANGULAR --					
APPROVALS					
DRAWN	Frank	VIEW	SCALE	PART NO.	REV.
	18-September-2012		1:1	YY-4000-W15FST-GT	A5
CHECKED	Kang	UNIT	SIZE	DWG NO.	SHEET
	18-September-2012	MM	A4	YY-4000-W15FST-GT-085	1 OF 1
APPROVED	Denise				
	18-September-2012				





CULUS E182481

REV	DESCRIPTION	DATE
A4	EN001107-1	2011.11.08
A5	EN010918-1	2012.09.18

### NOTES

Compliant with IEC 60335-1 & IEC 60695-2-11  
End-Product GWT750°C No Flame

Available in 15 Circuits

Material: Nylon 66 UL94-V0

Contact Material: Phosphor bronze

Contact Plated: Tin-plated

Mates with YY-4000-H15M series Housing

### SPECIFICATION

Voltage rating: 600V AC/DC

Current rating: 11A

Insulation Resistance: 1000MΩ Min.

Dielectric Withstanding Voltage: 2900V AC/minute

Operation temperature: -40°C to +105°C

### ORDERING INFORMATION

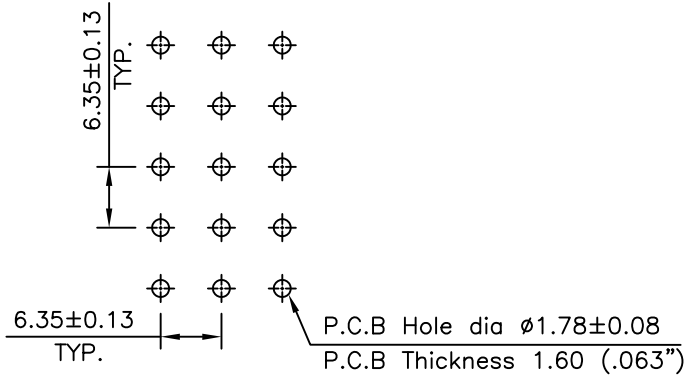
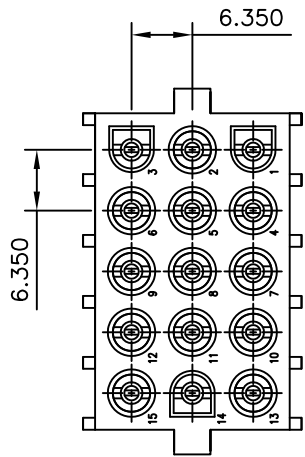
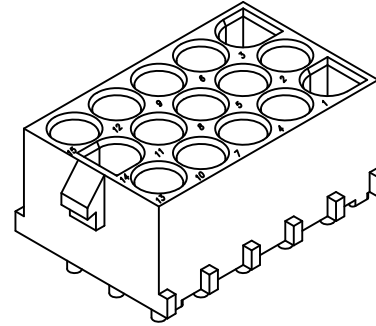
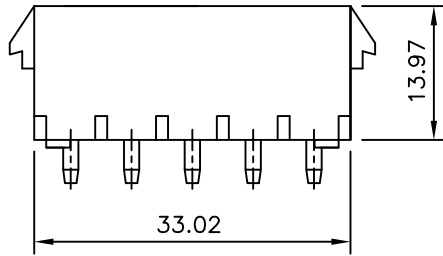
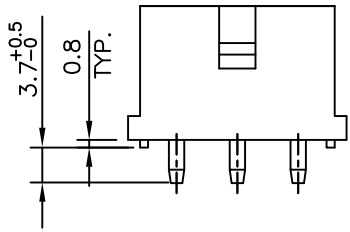
**YY-4000 - W 15 M S T - GT**

**1 2 3 4**

1. No. of Circuits 15
2. M : Male Type (Split Pin)
3. S : Straight
4. T : Tin

1  
2  
3  
4  
5  
6

1  
2  
3  
4  
5  
6



P.C.B LAYOUT

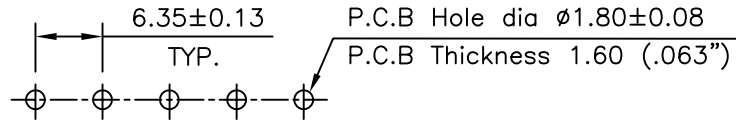
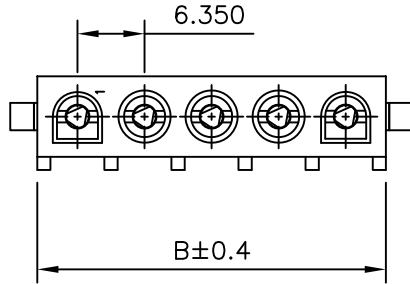
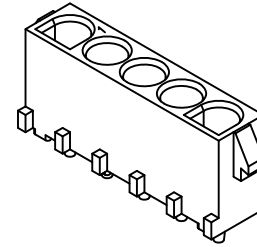
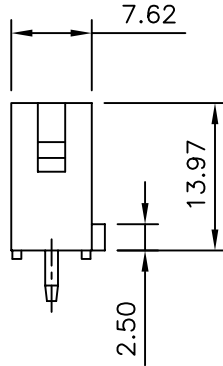
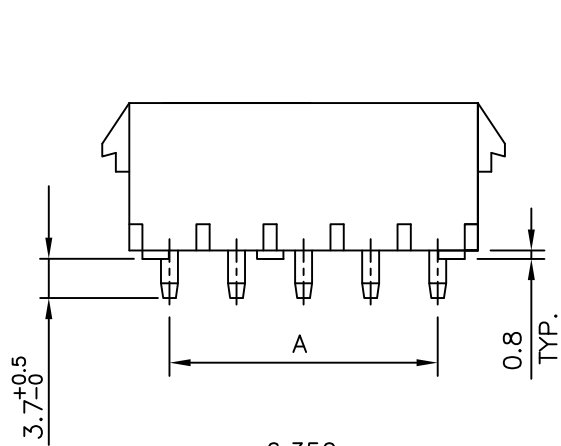


TOLERANCE					
X.	--	TITLE 6.35mm(.250") Pitch			
X.X	±0.40				
X.XX	±0.25	Wire to Board Header (15 POS.)			
X.XXX	±0.08				
ANGULAR --					
APPROVALS					
DRAWN	Frank	VIEW	SCALE	PART NO.	REV.
	18-September-2012		1:1	YY-4000-W15MST-GT	A5
CHECKED	Kang	UNIT	SIZE	DWG NO.	SHEET
	18-September-2012	MM	A4	YY-4000-W15MST-GT-085	1 OF 1
APPROVED	Denise				
	18-September-2012				

A B C D E F



C **UL** US E182481



P.C.B LAYOUT

Part No.	Dimension mm		Part No.	Dimension mm	
	A	B		A	B
YY-4000-W02FSST-GT	6.35	13.97	YY-4000-W07FSST-GT	38.10	45.72
YY-4000-W03FSST-GT	12.70	20.32	YY-4000-W08FSST-GT	44.45	52.07
YY-4000-W04FSST-GT	19.05	26.67	YY-4000-W09FSST-GT	50.80	58.42
YY-4000-W05FSST-GT	25.40	33.02	YY-4000-W10FSST-GT	57.15	64.77
YY-4000-W06FSST-GT	31.75	39.37	--	--	--

REV	DESCRIPTION	DATE
A4	EN001107-1	2011.11.08
A5	EN010918-1	2012.09.18

**NOTES**

Compliant with IEC 60335-1 & IEC 60695-2-11  
 End-Product GWT750°C No Flame  
 Available in 02 through 10 Circuits  
 Material: Nylon 66 UL94-V0  
 Contact Material: Phosphor bronze  
 Contact Plated: Tin-plated  
 Mates with YY-4000-H\*\*MS series Housing

**SPECIFICATION**

Voltage rating: 600V AC/DC  
 Current rating: 13A (2~5P), 11A (6~10P)  
 Insulation Resistance: 1000MΩ Min.  
 Dielectric Withstanding Voltage: 2900V AC/minute  
 Operation temperature: -40°C to +105°C

**ORDERING INFORMATION**

**YY-4000 - W \*\* F S S T - GT**  
**1 2 3 4 5**

- No. of Circuits 02~10
- F : Female Type
- S : Single Row
- S : Straight
- T : Tin



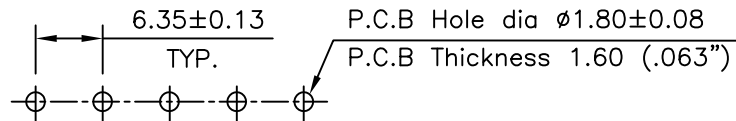
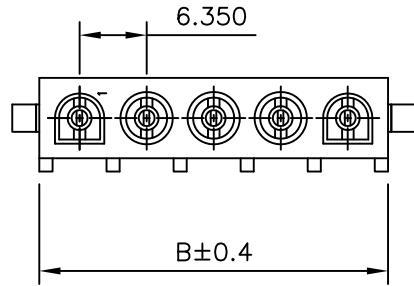
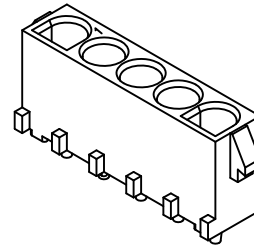
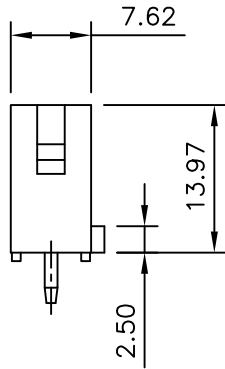
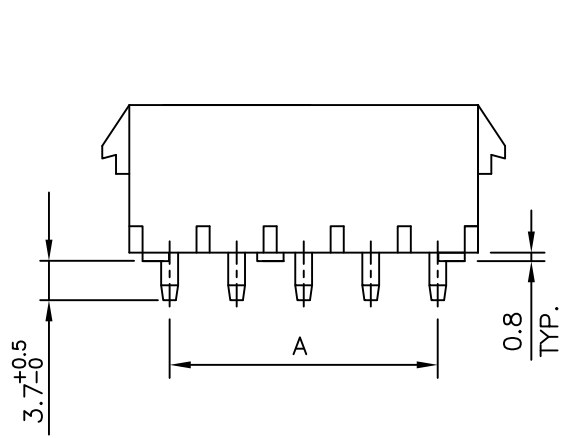
**Young Yak Enterprise Co., Ltd.**

TITLE: 6.35mm(.250") Pitch  
 Wire to Board Header

TOLERANCE					
X.	--				
X.X	±0.40				
X.XX	±0.25				
X.XXX	±0.08				
ANGULAR	--				
APPROVALS					
DRAWN	Frank	VIEW	SCALE	PART NO.	REV.
	18-September-2012		1:1	YY-4000-W**FSST-GT	A5
CHECKED	Kang	UNIT	SIZE	DWG NO.	SHEET
	18-September-2012	MM	A4	YY-4000-W**FSST-GT-085	1 OF 1
APPROVED	Denise				
	18-September-2012				



C **RI** US E182481



P.C.B LAYOUT

Part No.	Dimension mm		Part No.	Dimension mm	
	A	B		A	B
YY-4000-W02MSST-GT	6.35	13.97	YY-4000-W07MSST-GT	38.10	45.72
YY-4000-W03MSST-GT	12.70	20.32	YY-4000-W08MSST-GT	44.45	52.07
YY-4000-W04MSST-GT	19.05	26.67	YY-4000-W09MSST-GT	50.80	58.42
YY-4000-W05MSST-GT	25.40	33.02	YY-4000-W10MSST-GT	57.15	64.77
YY-4000-W06MSST-GT	31.75	39.37	--	--	--

REV	DESCRIPTION	DATE
A4	EN001107-1	2011.11.08
A5	EN010918-1	2012.09.18

**NOTES**

Compliant with IEC 60335-1 & IEC 60695-2-11  
 End-Product GWT750°C No Flame  
 Available in 02 through 10 Circuits  
 Material: Nylon 66 UL94-V0  
 Contact Material: Phosphor bronze  
 Contact Plated: Tin-plated  
 Mates with YY-4000-H\*\*MS series Housing

**SPECIFICATION**

Voltage rating: 600V AC/DC  
 Current rating: 13A (2~5P), 11A (6~10P)  
 Insulation Resistance: 1000MΩ Min.  
 Dielectric Withstanding Voltage: 2900V AC/minute  
 Operation temperature: -40°C to +105°C

**ORDERING INFORMATION**

**YY-4000 - W \*\* M S S T - GT**  
 1 2 3 4 5

- No. of Circuits 02~10
- M : Male Type (Split Pin)
- S : Single Row
- S : Straight
- T : Tin

TOLERANCE	
X.	--
X.X	±0.40
X.XX	±0.25
X.XXX	±0.08
ANGULAR	--
APPROVALS	
DRAWN	Frank
18-September-2012	
CHECKED	Kang
18-September-2012	
APPROVED	Denise
18-September-2012	



**Young Yak Enterprise Co., Ltd.**

TITLE 6.35mm(.250") Pitch  
 Wire to Board Header

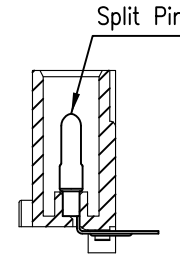
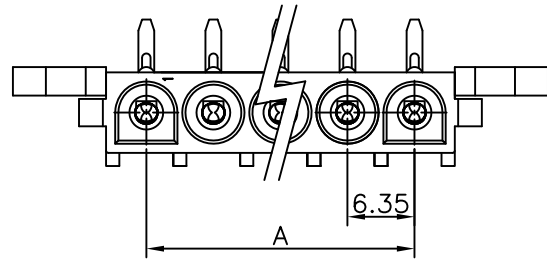
VIEW	SCALE	PART NO.	REV.
	1:1	YY-4000-W**MSST-GT	A5
UNIT	SIZE	DWG NO.	SHEET
MM	A4	YY-4000-W**MSST-GT-085	1 OF 1





C **RI** US E182481

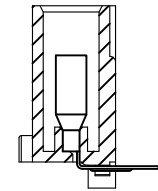
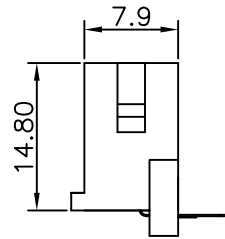
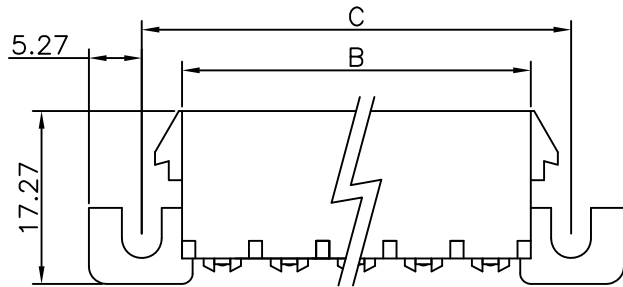
REV	DESCRIPTION	DATE
A2	EN001107-1	2011.11.08
A3	EN010918-1	2012.09.18



Male Type

**NOTES**

Compliant with IEC 60335-1 & IEC 60695-2-11  
 End-Product GWT750°C No Flame  
 Available in 02 through 10 Circuits  
 Material: Nylon 66 UL94-V0  
 Contact Material: Phosphor bronze  
 Contact Plated: Tin-plated  
 Mates with YY-4000-H\*\*MS series Housing



Female Type

**SPECIFICATION**

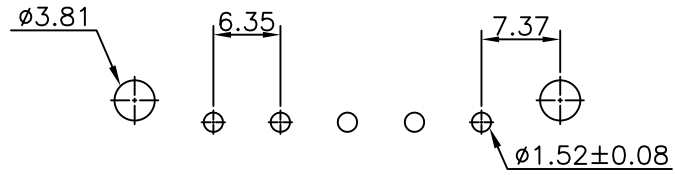
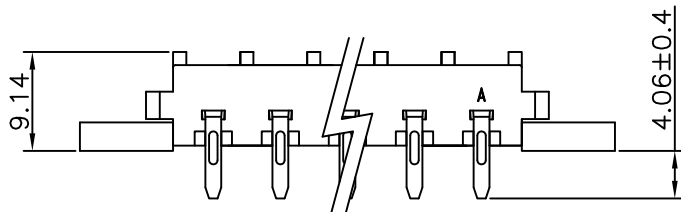
Voltage rating: 600V AC/DC  
 Current rating: 13A (2~5P) , 11A (6~10P)  
 Insulation Resistance: 1000MΩ Min.  
 Dielectric Withstanding Voltage: 2900V AC/minute  
 Operation temperature: -40°C to +105°C

**ORDERING INFORMATION**

YY-4000 - W \*\* \* S R T - GT

1 2 3 4 5

- No. of Circuits 02~10
- F : Female Type  
M : Male Type
- S : Single Row
- R : Right Angle
- T : Tin



P. C. board layout

Circuits	Dimension mm		
	A	B	C
2	6.35	13.97	21.08
A: 6.35 X (PART NO. OF PIN -1) B: 6.35 X (PART NO. OF PIN)+1.27 C: 6.35 X (PART NO. OF PIN)+8.38			
10	57.15	64.77	71.88

TOLERANCE	
X.	--
X.X	±0.40
X.XX	±0.25
X.XXX	±0.08
ANGULAR	--



TITLE 6.35mm(.250") Pitch  
 Wire to Board Header

APPROVALS		VIEW	SCALE	PART NO.	REV.
DRAWN	Frank		F	YY-4000-W***SRT-GT	A3
CHECKED	Kang				
APPROVED	Denise	UNIT	SIZE	DWG NO.	SHEET
		MM	A4	YY-4000-W***SRT-GT-085	1 OF 1

