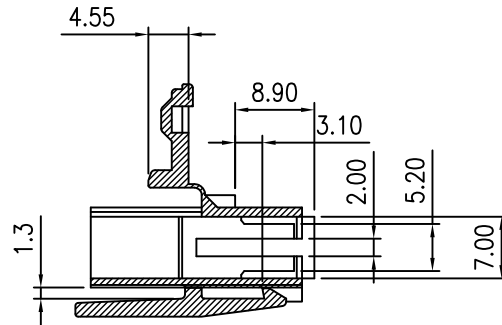
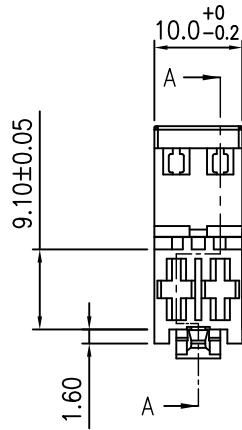
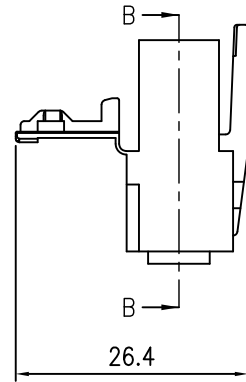
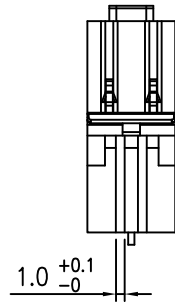
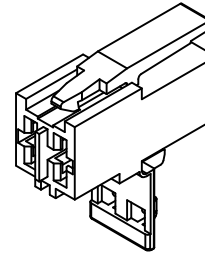




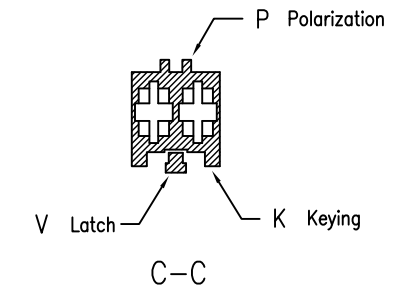
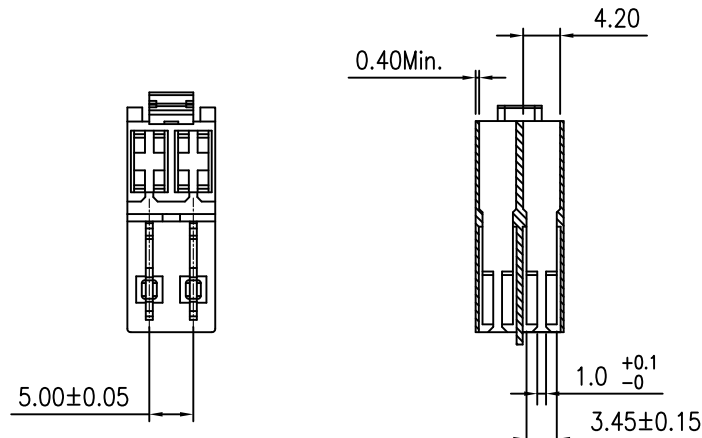
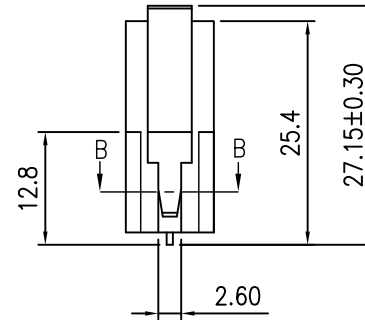
CULUS E182481



A-A



B-B



C-C

REV	DESCRIPTION	DATE
A1	EN000509-2	2011.05.09
A2	EN010903-2	2012.09.03

NOTES

Compliant with IEC 60335-1 & IEC 60695-2-11
 End-Product GWT750°C No Flame
 Body: Nylon 66 UL 94-V0
 Available in 02 Circuits
 Mates with : YY-A504*-W02-K**-GT Header
 Use with : YY-A5002-T Terminals
 Packing : Bag

ORDERING INFORMATION

YY - A5002 - H02 - K** **
 1 2 3

- No. of Circuits 02
- Keying code to be completed by further details.
(see keying codes No.)
- Color : - Nature
 BK - Black
 RD - Red
 GR - Grey



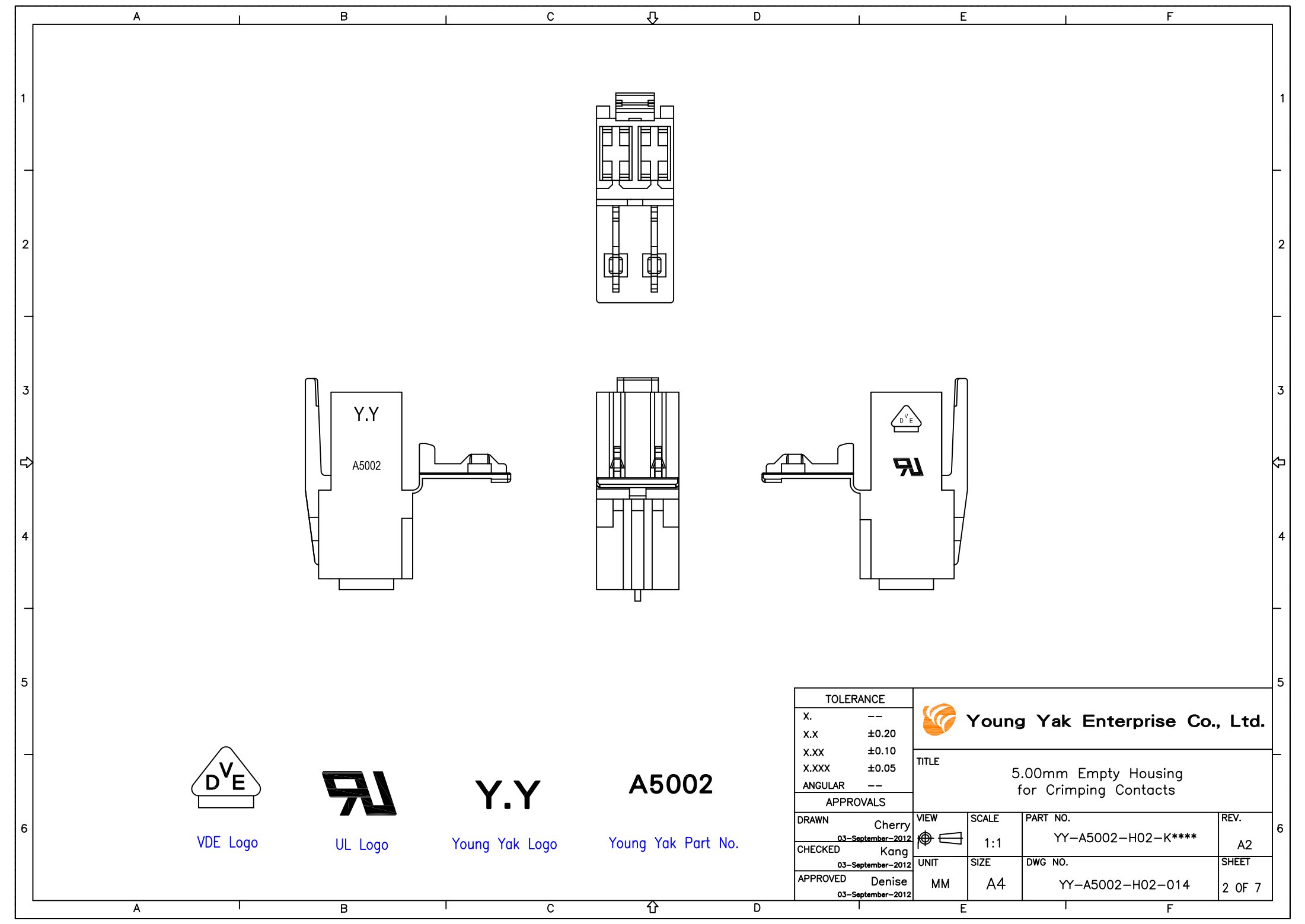
TOLERANCE	
X.	--
X.X	±0.20
X.XX	±0.10
X.XXX	±0.05
ANGULAR	--
APPROVALS	
DRAWN	Cherry
03-September-2012	
CHECKED	Kang
03-September-2012	
APPROVED	Denise
03-September-2012	



Young Yak Enterprise Co., Ltd.

TITLE
 5.00mm Empty Housing
 for Crimping Contacts

VIEW	SCALE	PART NO.	REV.
	1:1	YY-A5002-H02-K****	A2
UNIT	SIZE	DWG NO.	SHEET
MM	A4	YY-A5002-H02-014	1 OF 7



VDE Logo




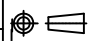
UL Logo

Y.Y

Young Yak Logo

A5002

Young Yak Part No.


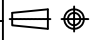
TOLERANCE		 Young Yak Enterprise Co., Ltd.				
X.	--				TITLE 5.00mm Empty Housing for Crimping Contacts	
X.X	±0.20					
X.XX	±0.10					
X.XXX	±0.05					
ANGULAR	--	APPROVALS				
DRAWN	Cherry 03-September-2012	VIEW	SCALE	PART NO.	REV.	
CHECKED	Kang 03-September-2012		1:1	YY-A5002-H02-K****	A2	
APPROVED	Denise 03-September-2012	UNIT	SIZE	DWG NO.	SHEET	
		MM	A4	YY-A5002-H02-014	2 OF 7	

2 Circuits

Keying codes

Code	P	K	V	CONFIGURATION
K01	1b 2a	1c 2d	1/2 --	
K02	1a 2b	1c --	1/2 --	
K03	2a --	1c 2d	1/2 --	
K05	1a 2b	2d --	1/2 --	
K07	1b 2ab	2d --	1/2 --	
K09	1b 2b	1c --	1/2 --	
K10	1a 2a	1c --	1/2 --	
K12	1a --	1c 2d	1/2 --	
K13	1ab --	2d --	1/2 --	
K14	1b 2a	1c --	1/2 --	
K15	2b --	1c 2d	1/2 --	
K48	1a 2b	1c 2d	1/2 --	

Code	P	K	V	CONFIGURATION
K78	1b 2ab	1c 2d	1/2 --	
K86	1ab 2a	1d 2c	-- --	
K99	-- --	-- --	1/2 --	
KA1	1b --	2d --	1/2 --	
KA2	1b --	1c 2d	1/2 --	
KA3	1ab --	1c --	1/2 --	
KA4	1a 2b	-- --	1/2 --	
KA5	1ab 2b	2d --	1/2 --	


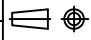
TOLERANCE		 Young Yak Enterprise Co., Ltd. TITLE Keying Codes			
X.	--				
X.X	--				
X.XX	--				
X.XXX	--				
ANGULAR	--	APPROVALS			
DRAWN	Cherry	VIEW	SCALE	PART NO.	REV.
	03-September-2012		F	YY-A5002-H02-K****	A2
CHECKED	Kang	UNIT	SIZE	DWG NO.	SHEET
	03-September-2012	MM	A4	YY-A5002-H02-014	3 OF 7
APPROVED	Denise				
	03-September-2012				

2 Circuits

Keying codes

Code	P	K	V	CONFIGURATION
KA6	2b --	-- --	1/2 --	
KA7	2a --	1c --	1/2 --	
KA8	2b --	2d --	1/2 --	
KA9	2ab --	1c --	1/2 --	
KB1	1ab 2b	1c --	1/2 --	
KB2	1a 2ab	1c 2d	1/2 --	
KB3	1ab --	1c 2d	1/2 --	
KB4	1ab 2a	1c --	1/2 --	
KB5	1b 2b	2d --	1/2 --	
KB6	1a 2ab	1c --	1/2 --	
KB7	1ab 2b	1c 2d	1/2 --	
KB8	1ab 2b	-- --	1/2 --	

Code	P	K	V	CONFIGURATION
KB9	2ab --	2d --	-- --	
KC1	1b 2b	2d --	-- --	
KC2	1b 2a	2d --	-- --	
KC3	1a 2b	-- --	-- --	
KC4	1ab 2ab	-- --	-- --	
KC5	2b --	1c --	1/2 --	
KC6	1a 2a	2d --	-- --	
KC7	1b 2a	2d --	1/2 --	


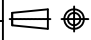
TOLERANCE		 Young Yak Enterprise Co., Ltd. TITLE Keying Codes			
X.	--				
X.X	--				
X.XX	--				
X.XXX	--				
ANGULAR	--	APPROVALS			
DRAWN	Cherry	VIEW	SCALE	PART NO.	REV.
	03-September-2012		F	YY-A5002-H02-K****	A2
CHECKED	Kang	UNIT	SIZE	DWG NO.	SHEET
	03-September-2012	MM	A4	YY-A5002-H02-014	4 OF 7
APPROVED	Denise				
	03-September-2012				

2 Circuits

Keying codes

Code	P	K	V	CONFIGURATION
KC8	1b 2a	-- --	-- --	
KC9	1a 2a	1c 2d	1/2 --	
KD1	2ab --	2d --	1/2 --	
KD2	1a 2a	2d --	1/2 --	
KD3	1b 2ab	-- --	1/2 --	
KD4	1b 2ab	2d --	-- --	
KD5	1b --	1cd --	-- --	
KD6	1b --	1c 2c	-- --	
KD7	1a 2b	2c --	-- --	
KD8	1ab 2a	2d --	1/2 --	
KD9	2b --	-- --	-- --	
KE1	-- --	1c 2d	1/2 --	


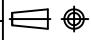
Code	P	K	V	CONFIGURATION
KE2	1a --	1c --	1/2 --	
KE3	-- --	2d --	1/2 --	
KE4	-- --	-- --	-- --	
KE5	1b 2b	1c --	-- --	
KE6	2a --	1c --	-- --	
KE7	1a 2ab	-- --	1/2 --	
KE8	1ab 2a	1c 2d	1/2 --	
KE9	1a --	2d --	1/2 --	

TOLERANCE		 Young Yak Enterprise Co., Ltd. TITLE Keying Codes			
X.	--				
X.X	--				
X.XX	--				
X.XXX	--				
ANGULAR	--				
APPROVALS					
DRAWN	Cherry	VIEW	SCALE	PART NO.	REV.
	03-September-2012		F	YY-A5002-H02-K****	A2
CHECKED	Kang	UNIT	SIZE	DWG NO.	SHEET
	03-September-2012	MM	A4	YY-A5002-H02-014	5 OF 7
APPROVED	Denise				
	03-September-2012				

2 Circuits Keying codes



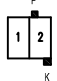
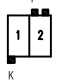
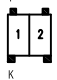
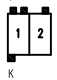
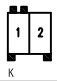
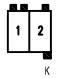
Code	P	K	V	CONFIGURATION
KF1	2b --	1c 2d	-- --	
KF2	1a --	-- --	1/2 --	
KF3	1ab 2b	-- --	-- --	
KF4	2a --	2d --	1/2 --	
KF5	2ab --	-- --	1/2 --	
KF6	2b --	1c --	-- --	
KF7	1ab 2a	1c --	-- --	
KF8	1ab --	-- --	1/2 --	
KF9	1b 2b	-- --	1/2 --	
KG1	1b --	-- --	1/2 --	
KG2	-- --	2d --	-- --	
KG3	1b --	1c 2d	-- --	



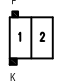
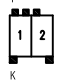
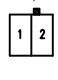
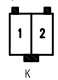
Code	P	K	V	CONFIGURATION
KG4	-- --	1c --	1/2 --	
KG5	1ab 2ab	1c 2d	1/2 --	
KG6	1ab 2ab	1cd 2cd	-- --	
KG7	1ab --	2c --	-- --	
KG8	2a --	-- --	1/2 --	
KG9	1ab --	1c --	-- --	
KH1	-- --	1c 2d	-- --	
KH2	1b --	-- --	-- --	


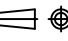
TOLERANCE		 Young Yak Enterprise Co., Ltd.			
X.	--	TITLE Keying Codes			
X.X	--				
X.XX	--				
X.XXX	--				
ANGULAR	--				
APPROVALS					
DRAWN	Cherry	VIEW	SCALE	PART NO.	REV.
	03-September-2012		F	YY-A5002-H02-K****	A2
CHECKED	Kang	UNIT	SIZE	DWG NO.	SHEET
	03-September-2012	MM	A4	YY-A5002-H02-014	6 OF 7
APPROVED	Denise				
	03-September-2012				

2 Circuits

Keying codes

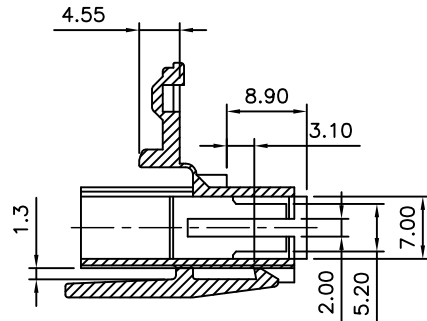
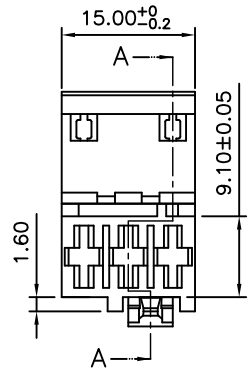
Code	P	K	V	CONFIGURATION
KH3	1ab --	2d --	-- --	
KH4	1b --	1c --	-- --	
KH5	2a --	2d --	-- --	
KH6	2ab --	1c --	-- --	
KH7	1a 2b	1c 2d	-- --	
KH8	1ab 2b	1c --	-- --	
KH9	1ab --	1c 2d	-- --	
KJ1	1ab 2b	2d --	-- --	

Code	P	K	V	CONFIGURATION
KJ2	1ab 2b	1c 2d	-- --	
KJ3	1ab 2a	2d --	-- --	
KJ4	1a --	1c --	-- --	
KJ5	1ab 2a	1c 2d	-- --	
KJ6	2a --	-- --	-- --	
KJ7	1a 2b	1d 2c	-- --	
--				
--				

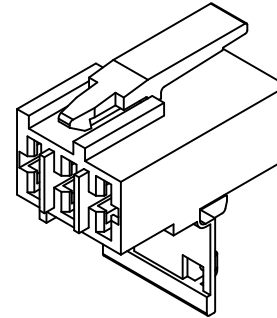
TOLERANCE		 Young Yak Enterprise Co., Ltd. TITLE Keying Codes			
X.	--				
X.X	--				
X.XX	--				
X.XXX	--				
ANGULAR	--	APPROVALS			
DRAWN	Cherry	VIEW	SCALE	PART NO.	REV.
	03-September-2012		F	YY-A5002-H02-K****	A2
CHECKED	Kang	UNIT	SIZE	DWG NO.	SHEET
	03-September-2012	MM	A4	YY-A5002-H02-014	7 OF 7
APPROVED	Denise				
	03-September-2012				



C US E182481



A-A



REV	DESCRIPTION	DATE
A3	EN010306-1	2012.03.06
A4	EN010903-1	2012.09.03

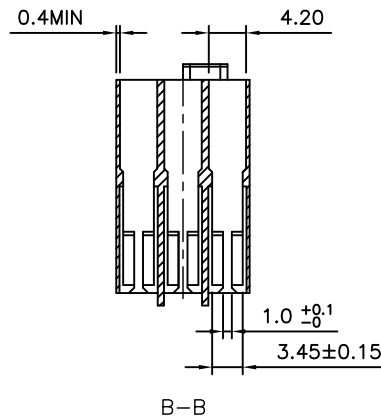
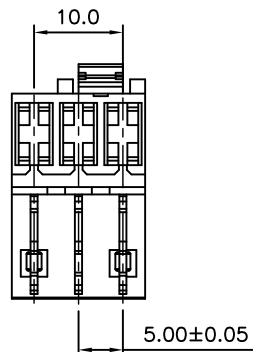
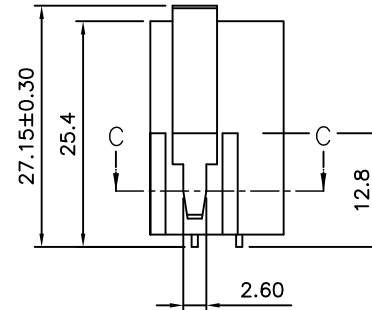
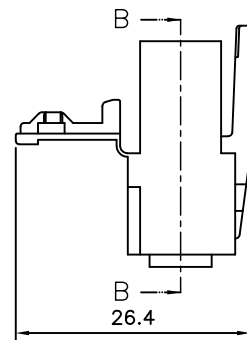
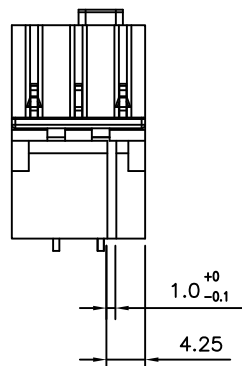
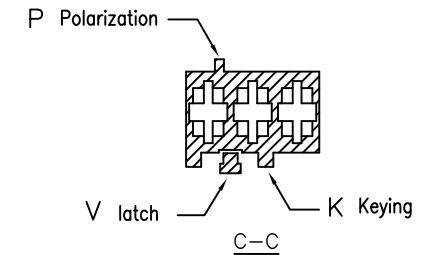
NOTES

Compliant with IEC 60335-1 & IEC 60695-2-11
 End-Product GWT750°C No Flame
 Body: Nylon 66 UL 94-V0
 Available in 03 Circuits
 Mates with : YY-A504*-W03-K**-GT Header
 Use with : YY-A5002-T Terminals
 Packing : Bag

ORDERING INFORMATION

YY - A5002 - H03 - K** - **
 1 2 3

- No. of Circuits 03
- Keying code to be completed by further details. (see keying codes No.)
- Color : - Nature
 BK - Black
 RD - Red
 GR - Grey



B-B



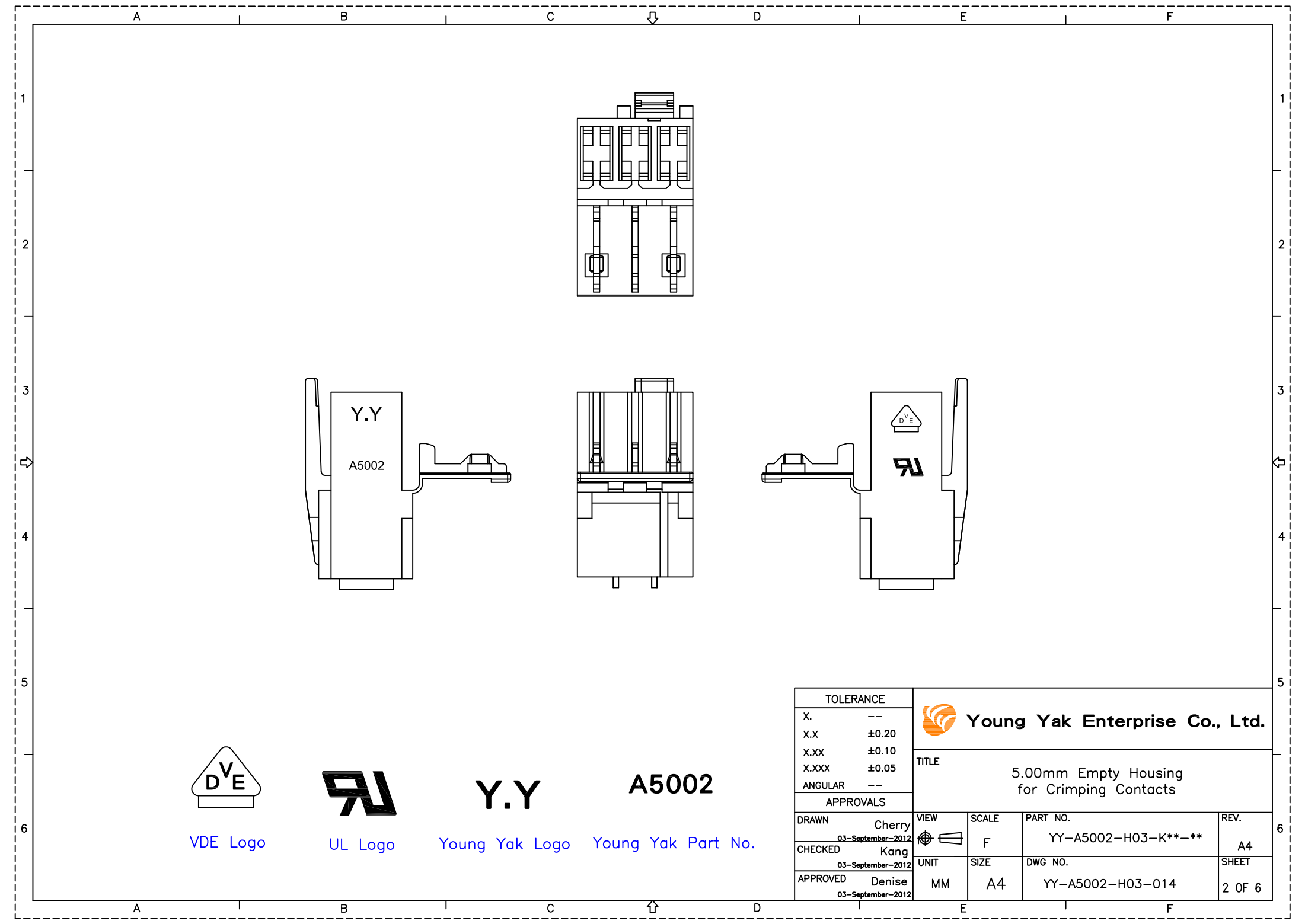
TITLE
 5.00mm Empty Housing
 for Crimping Contacts

TOLERANCE	
X.	--
X.X	±0.20
X.XX	±0.10
X.XXX	±0.05
ANGULAR	--

APPROVALS	
DRAWN	Cherry
03-September-2012	
CHECKED	Kang
03-September-2012	
APPROVED	Denise
03-September-2012	

VIEW	SCALE	PART NO.	REV.
	1:1	YY-A5002-H03-K**-**	A4
UNIT	SIZE	DWG NO.	SHEET
MM	A4	YY-A5002-H03-014	1 OF 6

Young Yak
 2012.09.18
 ISSUED



VDE Logo




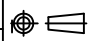
UL Logo

Y.Y

Young Yak Logo

A5002


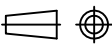
Young Yak Part No.

TOLERANCE		 Young Yak Enterprise Co., Ltd. TITLE 5.00mm Empty Housing for Crimping Contacts			
X.	--				
X.X	±0.20				
X.XX	±0.10				
X.XXX	±0.05				
ANGULAR					
APPROVALS					
DRAWN	Cherry	VIEW	SCALE	PART NO.	REV.
	03-September-2012		F	YY-A5002-H03-K**-**	A4
CHECKED	Kang	UNIT	SIZE	DWG NO.	SHEET
	03-September-2012	MM	A4	YY-A5002-H03-014	2 OF 6
APPROVED	Denise				
	03-September-2012				

3 Circuits Keying codes

Code	P	K	V	CONFIGURATION
K01	1b --	1c 2d	1/2 --	
K02	2b 3b	1d 2c	2/3 --	
K03	1b 3a	1c --	1/2 --	
K04	1a --	3c --	1/2 --	
K05	1ab --	3d --	1/2 --	
K06	1a 3b	1c --	1/2 --	
K08	2b --	2d --	1/2 --	
K10	3b --	1c 3d	2/3 --	
K32	1b 2a 3b --	1c 2d	1/2 --	
K37	3b --	1c 3d	1/2 --	
K44	2a --	1d 3d	2/3 --	
K53	1ab --	2d --	1/2 --	
K67	2b 3b	-- --	1/2 --	


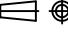
Code	P	K	V	CONFIGURATION
K119	1b 2b	1c 2d	1/2 --	
K124	1b 2ab 3b --	-- --	2/3 --	
K130	2b 3ab	1c 2d 3cd --	1/2 --	
KA1	2a --	3d --	2/3 --	
KA2	-- --	1c 2d 3d	1/2 --	
KA3	1b --	2d --	1/2 --	
KA4	1b --	1c --	1/2 --	
KA5	2a 2b	1c 3d	1/2 --	
KA6	2a --	2d 3c	1/2 --	

TOLERANCE		 Young Yak Enterprise Co., Ltd.			
X.	--				
X.X	--				
X.XX	--				
X.XXX	--				
ANGULAR	--	TITLE			
APPROVALS		Keying Codes			
DRAWN	Cherry	VIEW	SCALE	PART NO.	REV.
	03-September-2012		F	YY-A5002-H03-K**-**	A4
CHECKED	Kang	UNIT	SIZE	DWG NO.	SHEET
	03-September-2012	MM	A4	YY-A5002-H03-014	3 OF 6
APPROVED	Denise				
	03-September-2012				

3 Circuits Keying codes

Code	P	K	V	CONFIGURATION
KA7	2b 3b	1c 1d 2c 3d	2/3 --	
KA8	2a 3b	1d 2c	-- --	
KA9	1a 3b	1d 2c	-- --	
KB1	2b 3b	1d --	2/3 --	
KB2	1a 3a	1c --	1/2 --	
KB3	1b --	2d 3c	1/2 --	
KB4	3b --	1d 3d	2/3 --	
KB5	-- --	1c 3d	1/2 --	
KB6	1b 2a	1c 2d	1/2 --	
KB7	2a --	1d --	2/3 --	
KB8	3b --	1c 3d	-- --	
KB9	2b 3a	1c 2d	1/2 --	
KC1	2a 3a	1c 3d	1/2 --	


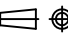
Code	P	K	V	CONFIGURATION
KC2	-- --	-- --	1/2 2/3	
KC3	1a 2b 3a --	1d 2c	2/3 --	
KC4	2d 3ab	1d 2c 3d --	2/3 --	
KC5	2a --	1d 2c 3d --	2/3 --	
KC6	2a 3b	-- --	1/2 --	
KC7	1a 3b	-- --	1/2 --	
KC8	1b 2ab 3a --	1c 2d	1/2 --	
KC9	-- --	1c --	2/3 --	
KD1	1a 2a	1c 2d	1/2 --	

TOLERANCE		 Young Yak Enterprise Co., Ltd. TITLE Keying Codes			
X.	--				
X.X	--				
X.XX	--				
X.XXX	--				
ANGULAR					
APPROVALS					
DRAWN	Cherry	VIEW	SCALE	PART NO.	REV.
	03-September-2012		F	YY-A5002-H03-K**-**	A4
CHECKED	Kang	UNIT	SIZE	DWG NO.	SHEET
	03-September-2012	MM	A4	YY-A5002-H03-014	4 OF 6
APPROVED	Denise				
	03-September-2012				

3 Circuits Keying codes

Code	P	K	V	CONFIGURATION
KD2	1a 2b	1c 3d	1/2 --	
KD3	1b 3b	1c 3c	1/2 --	
KD4	1a 3a	2d --	1/2 --	
KD5	1b 2b 3b --	1c 3c	1/2 --	
KD6	1a 3b	1c 2d 3d --	1/2 --	
KD7	1a 3b	1c 3d	1/2 --	
KD8	1a 3b	1c 3cd	1/2 --	
KD9	2b 3b	1cd 3d	2/3 --	
KE1	2b 3b	1c 3d	2/3 --	
KE2	2b 3b	1c 2c 3d --	2/3 --	
KE3	1a --	-- --	-- --	
KE4	1b 2a 3b --	1c 2d 3d --	1/2 --	
KE5	2a --	1d 3d	2/3 --	


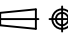
Code	P	K	V	CONFIGURATION
KE6	1ab 2ab 3ab --	-- --	-- --	
KE7	2a 3b	-- --	2/3 --	
KE8	2b 3b	-- --	2/3 --	
KE9	1ab --	-- --	2/3 --	
KF1	2a 3b	-- --	-- --	
KF2	2b 3b	-- --	-- --	
KF3	1ab --	-- --	-- --	
KF4	1ab 2a 3ab --	1c --	1/2 --	
KF5	2b 3a	1d 2c 3d --	2/3 --	

TOLERANCE		 Young Yak Enterprise Co., Ltd. TITLE Keying Codes			
X.	--				
X.X	--				
X.XX	--				
X.XXX	--				
ANGULAR	--	APPROVALS			
DRAWN	Cherry 03-September-2012	VIEW	SCALE	PART NO.	REV.
CHECKED	Kang 03-September-2012		F	YY-A5002-H03-K**-**	A4
APPROVED	Denise 03-September-2012	UNIT	SIZE	DWG NO.	SHEET
		MM	A4	YY-A5002-H03-014	5 OF 6

3 Circuits Keying codes

Code	P	K	V	CONFIGURATION
KF6	1b 2ab	3cd --	1/2 --	
KF7	1a 3b	3d --	1/2 --	
KF8	2a 3a	3d --	1/2 --	
KF9	2a --	2c 3d	2/3 --	
KG1	2b 3ab	3d --	1/2 --	
KG2	-- --	2d --	1/2 --	
KG3	1b --	1c 2d 3c --	-- --	
KG4	1a 2b 3b --	1cd 3d	2/3 --	
KG5	1ab 2ab 3ab --	1c 2d 3cd --	1/2 --	
KG6	1ab 2ab 3ab --	1cd 2c 3d --	2/3 --	
KG7	1ab 2ab 3ab --	1cd 2cd 3cd --	-- --	
KG8	3b --	1d 2c	2/3 --	
KG9	-- --	1d 3d	2/3 --	

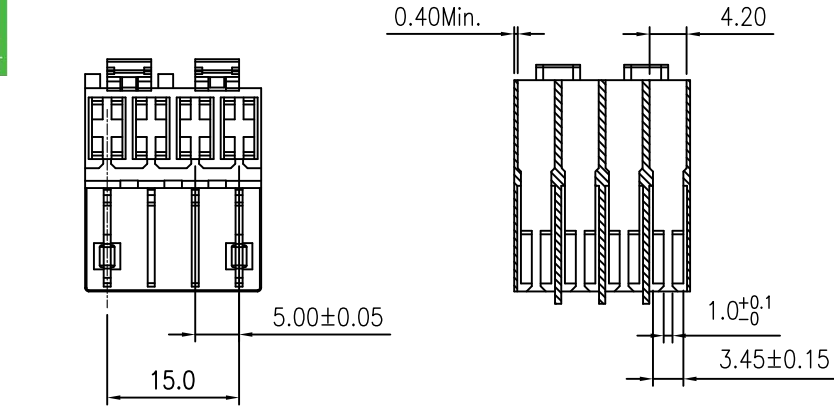
Code	P	K	V	CONFIGURATION
KH1	3b --	1c 3c	1/2 --	
KH2	1a 3a	3d --	1/2 --	
KH3	1a --	1c 2d 3c --	1/2 --	
KH4	1a 3b	1d --	2/3 --	

TOLERANCE		 Young Yak Enterprise Co., Ltd. TITLE Keying Codes			
X.	--				
X.X	--				
X.XX	--				
X.XXX	--				
ANGULAR					
APPROVALS					
DRAWN	Cherry	VIEW	SCALE	PART NO.	REV.
	03-September-2012		F	YY-A5002-H03-K**-**	A4
CHECKED	Kang	UNIT	SIZE	DWG NO.	SHEET
	03-September-2012	MM	A4	YY-A5002-H03-014	6 OF 6
APPROVED	Denise				
	03-September-2012				

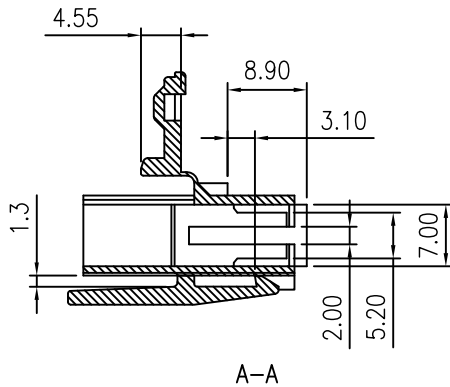
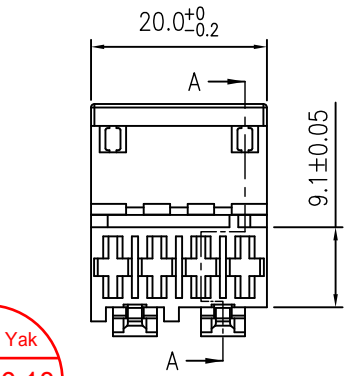
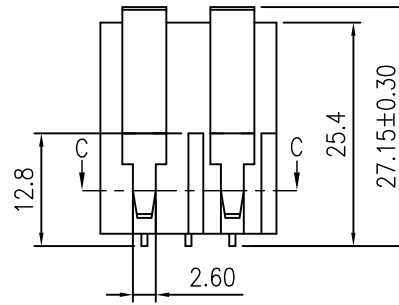
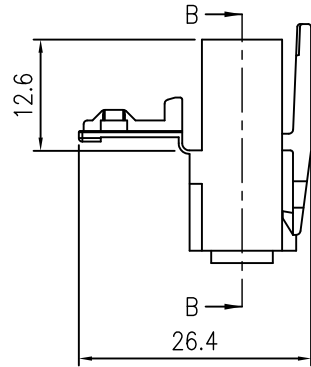
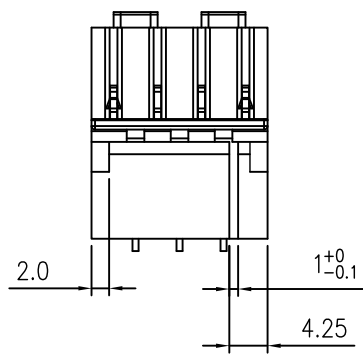
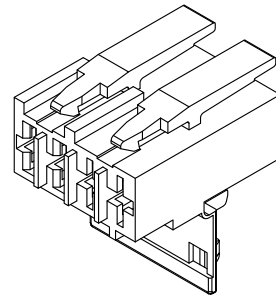


C US E182481

1
2
3
4
5
6



B-B



A-A

NOTES

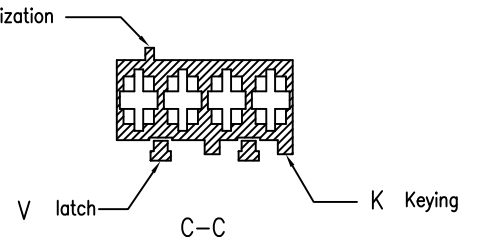
Compliant with IEC 60335-1 & IEC 60695-2-11
End-Product GWT750°C No Flame
Body: Nylon 66 UL 94-V0
Available in 04 Circuits
Mates with : YY-A504*-W04-K**-GT Header
Use with : YY-A5002-T Terminals
Packing : Bag

ORDERING INFORMATION

YY - A5002 - H 04 - K** - **
 1 2 3

- No. of Circuits 04
- Keying code to be completed by further details. (see keying codes No.)
- Color: - Nature
 BK- Black
 RD- Red
 GR- Grey

P Polarization



TOLERANCE	
X.	--
X.X	±0.20
X.XX	±0.10
X.XXX	±0.05
ANGULAR	--
APPROVALS	
DRAWN	Cherry
CHECKED	Kang
APPROVED	Denise



Young Yak Enterprise Co., Ltd.

TITLE
5.00 mm Empty Housing
for Crimping Contacts

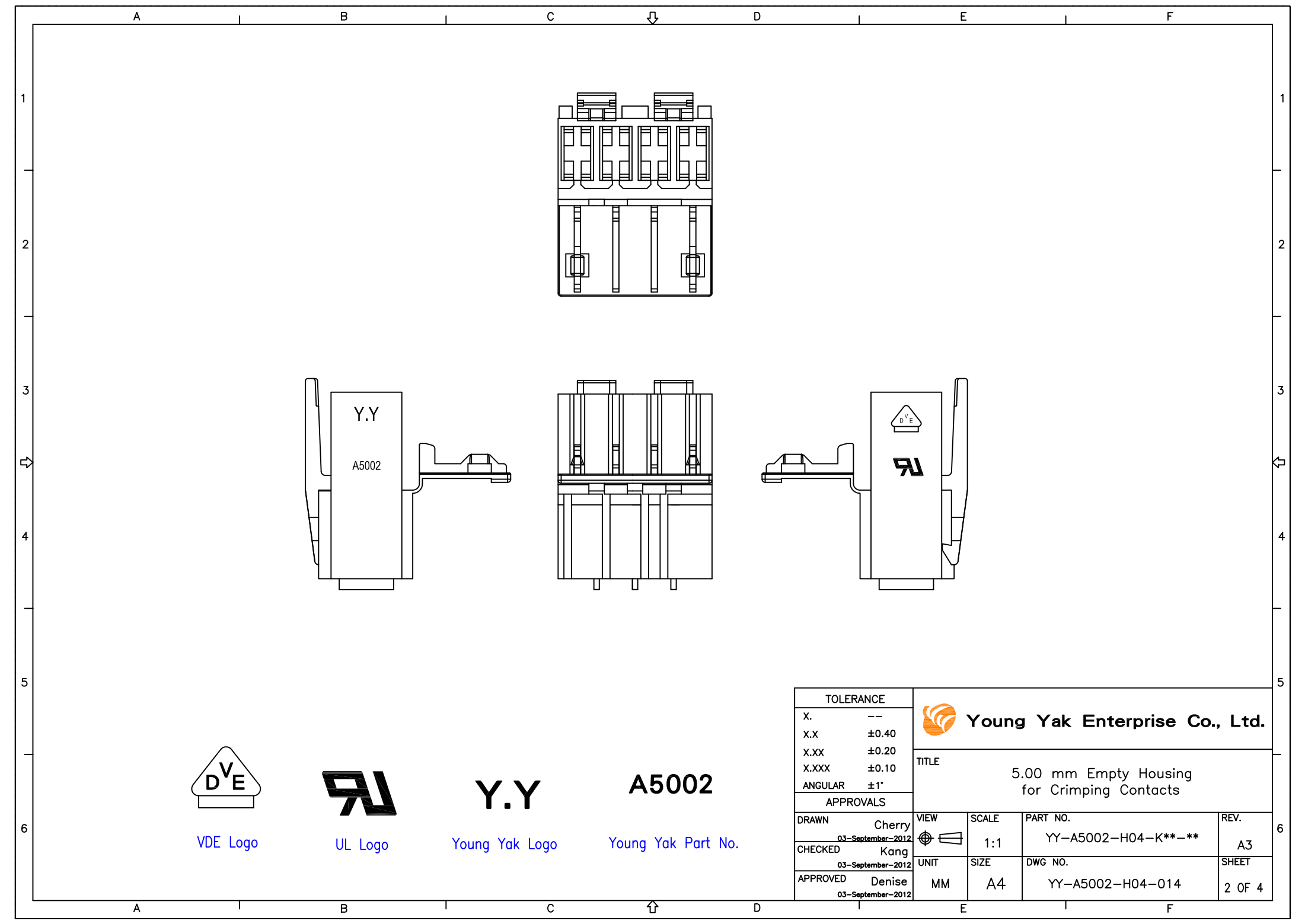
VIEW	SCALE	PART NO.	REV.
	1:1	YY-A5002-H04-K**-**	A3
UNIT	SIZE	DWG NO.	SHEET
MM	A4	YY-A5002-H04-014	1 OF 4



1
2
3
4
5
6

A B C D E F

A B C D E F



VDE Logo




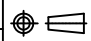
UL Logo

Y.Y

Young Yak Logo

A5002

Young Yak Part No.


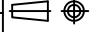
TOLERANCE		 Young Yak Enterprise Co., Ltd. TITLE 5.00 mm Empty Housing for Crimping Contacts			
X.	--				
X.X	±0.40				
X.XX	±0.20				
X.XXX	±0.10				
ANGULAR		±1°			
APPROVALS					
DRAWN	Cherry	VIEW	SCALE	PART NO.	REV.
	03-September-2012		1:1	YY-A5002-H04-K**-**	A3
CHECKED	Kang	UNIT	SIZE	DWG NO.	SHEET
	03-September-2012	MM	A4	YY-A5002-H04-014	2 OF 4
APPROVED	Denise				
	03-September-2012				

4 Circuits

Keying codes

Code	P	K	V	CONFIGURATION
K01	1b --	3c 4d	1/2 3/4	
K02	1a 4b	1c --	1/2 3/4	
K03	1a 4b	4d --	1/2 3/4	
K04	3b --	3d --	2/3 --	
K07	2a 4b	2d --	1/2 3/4	
K17	1ab 3ab 4a --	1c --	1/2 3/4	
K19	1b 2b 3a 4ab	1cd 3d 4d --	2/3 --	
K29	1b 2a 3ab 4b	1c 2d 3c --	1/2 3/4	
K31	1a 2b 3b --	4d --	1/2 3/4	
K37	1b 2a 3a 4b	1c 4d	1/2 3/4	
K63	1b 2ab 3b 4b	2d 3c	1/2 3/4	
K65	1a 2b 3b 4a	1c 3c 4d --	1/2 3/4	


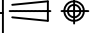
Code	P	K	V	CONFIGURATION
K79	1b 2a 3a 4b	1c 2d 3c --	1/2 3/4	
K86	1a 2b 3b 4a	2d 3c 4d --	1/2 3/4	
K100	2ab 3a 4a --	1c 3c	1/2 3/4	
K102	1b --	1c 2d 3c 4d	1/2 3/4	
K109	1b 2a 3a 4b	2d 4d	1/2 3/4	
K110	1a 2b 4a --	1c 4d	1/2 3/4	
K120	1b 2b 3b 4a	1c 3c 4d --	1/2 3/4	
K142	1b 2a 3b 4a	1c 2d 3c 4d	1/2 3/4	
KA1	2a 2b 3b 4b	1c 2d 3c 4d	1/2 3/4	

TOLERANCE		 Young Yak Enterprise Co., Ltd. TITLE Keying Codes			
X.	--				
X.X	--				
X.XX	--				
X.XXX	--				
ANGULAR		--			
APPROVALS					
DRAWN	Cherry	VIEW	SCALE	PART NO.	REV.
	03-September-2012		F	YY-A5002-H04-K**-**	A3
CHECKED	Kang	UNIT	SIZE	DWG NO.	SHEET
	03-September-2012	MM	A4	YY-A5002-H04-014	3 OF 4
APPROVED	Denise				
	03-September-2012				

4 Circuits Keying codes

Code	P	K	V	CONFIGURATION
KA2	3b 4ab	1c 3d 4cd --	1/2 --	
KA3	1b --	3c --	1/2 --	
KA4	1a 4b	1c 4cd	2/3 --	
KA5	1a 2a 3ab --	1c 3c	1/2 3/4	
KA6	3a --	3c --	1/2 3/4	
KA7	1b 2a 4b --	1c 2d 3c 4d	1/2 3/4	
KA8	2a 3ab 4b --	1c 2d 3c 4d	1/2 3/4	
KA9	-- --	3c 4d	1/2 3/4	

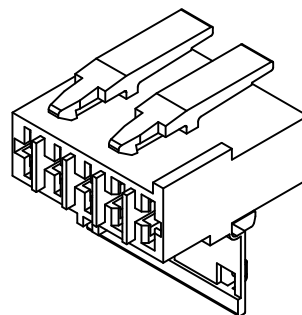
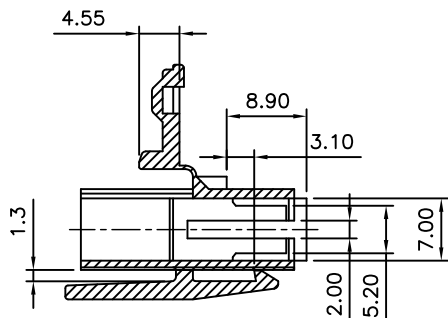
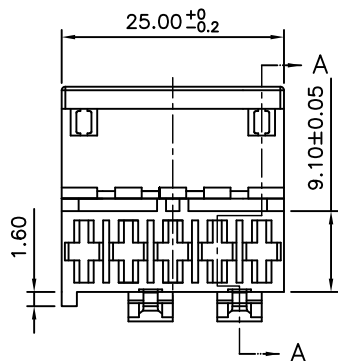
Code	P	K	V	CONFIGURATION
KB1	3ab 4b	1c --	1/2 3/4	
KB2	3a --	1c 2d -- 4d	1/2 3/4	

TOLERANCE		 Young Yak Enterprise Co., Ltd. TITLE Keying Codes			
X.	--				
X.X	--				
X.XX	--				
X.XXX	--				
ANGULAR	--				
APPROVALS					
DRAWN	Cherry	VIEW	SCALE	PART NO.	REV.
	03-September-2012		F	YY-A5002-H04-K**-**	A3
CHECKED	Kang	UNIT	SIZE	DWG NO.	SHEET
	03-September-2012	MM	A4	YY-A5002-H04-014	4 OF 4
APPROVED	Denise				
	03-September-2012				



C US E182481

REV	DESCRIPTION	DATE
A1	EN010903-1	2012.09.03



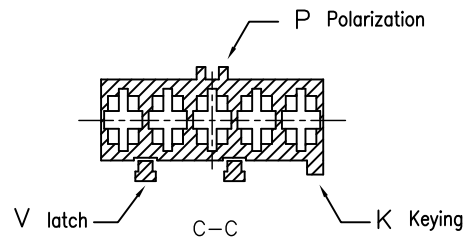
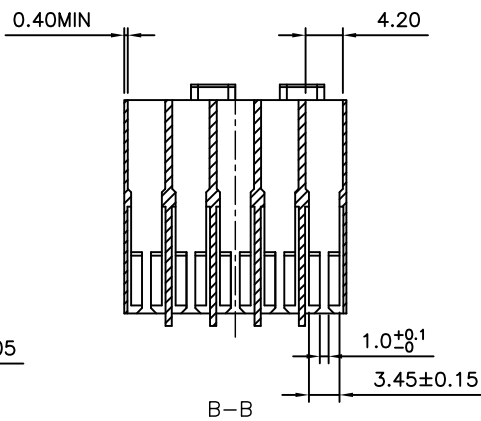
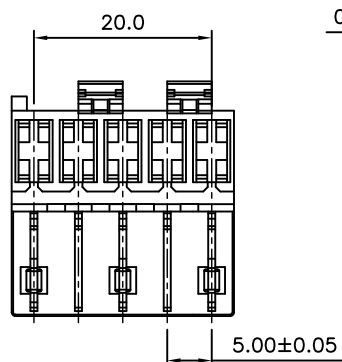
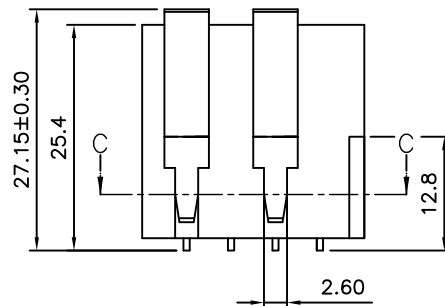
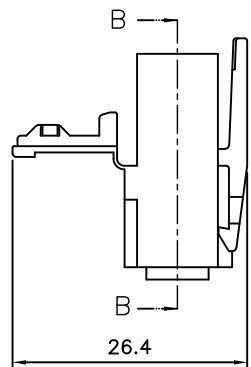
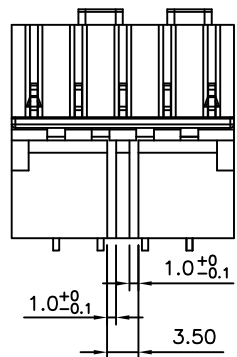
NOTES

Compliant with IEC 60335-1 & IEC 60695-2-11
 End-Product GWT750°C No Flame
 Body: Nylon 66 UL 94-V0
 Available in 05 Circuits
 Mates with : YY-A504*-W05-K**-GT Header
 Use with : YY-A5002-T Terminals
 Packing : Bag

ORDERING INFORMATION

YY - A5002 - H05 - K** **
 1 2 3

- No. of Circuits 05
- Keying code to be completed by further details. (see keying codes No.)
- Color : - Nature
 BK - Black
 RD - Red
 GR - Grey



TOLERANCE	
X.	--
X.X	±0.20
X.XX	±0.10
X.XXX	±0.05
ANGULAR	--

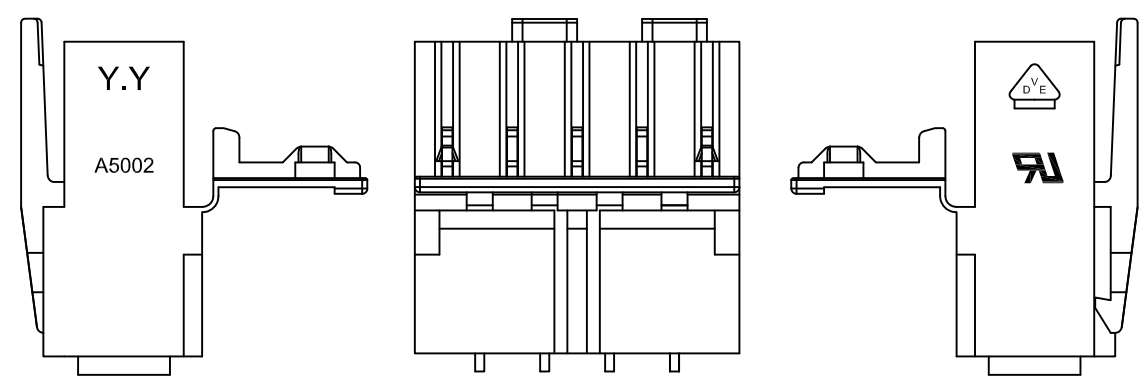
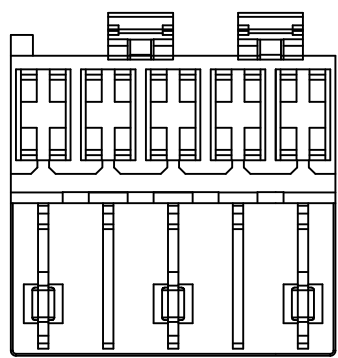


Young Yak Enterprise Co., Ltd.

TITLE			
5.00mm Empty Housing for Crimping Contacts			
APPROVALS		REV.	
DRAWN	Cherry 03-September-2012	SCALE	PART NO.
CHECKED	Kang 03-September-2012	1:1	YY-A5002-H05-K****
APPROVED	Denise 03-September-2012	UNIT	DWG NO.
		MM	YY-A5002-H05-014
		SIZE	A4
			SHEET
			1 OF 4

A B C D E F

1
2
3
4
5
6



VDE Logo




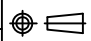
UL Logo

Y.Y

Young Yak Logo

A5002

Young Yak Part No.

TOLERANCE		 Young Yak Enterprise Co., Ltd. TITLE 5.00mm Empty Housing for Crimping Contacts			
X.	--				
X.X	±0.20				
X.XX	±0.10				
X.XXX	±0.05				
ANGULAR					
APPROVALS					
DRAWN	Cherry	VIEW	SCALE	PART NO.	REV.
	03-September-2012		F	YY-A5002-H05-K****	A1
CHECKED	Kang	UNIT	SIZE	DWG NO.	SHEET
	03-September-2012	MM	A4	YY-A5002-H05-014	2 OF 4
APPROVED	Denise				
	03-September-2012				


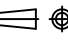
A B C D E F

5 Circuits

Keying codes

Code	P	K	V	CONFIGURATION
K01	1a 5b	1c 3d	1/2 2/3	
K02	2b ---	2d ---	1/2 4/5	
K04	1a 4a	3d ---	1/2 4/5	
K12	1ab 4b 5ab ---	1c 4c 5d ---	1/2 4/5	
K28	1a 2a 4b 5ab	1c 4c 5d ---	1/2 4/5	
K30	1a 3a	1c 3d	1/2 4/5	
K31	1a 5b	1c 2d 3c 5d	1/2 3/4	
K43	2a ---	1c 5d	2/3 4/5	
K44	2a 4b	1c 2d 4d ---	1/2 3/4	
K45	4b 5a	1c 3d 4c 5d	1/2 4/5	
K50	1a 5b	3d 4c	2/3 ---	
K51	1b 2a 4a ---	1c 4c 5d ---	1/2 4/5	


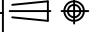
Code	P	K	V	CONFIGURATION
K64	1ab 4a 5d ---	3d 4c 5d ---	1/2 4/5	
K69	2ab 4a 5b ---	1c 2d 4c ---	1/2 4/5	
K73	1a 3a 4b 5a	3c 4c	1/2 4/5	
K86	1a 5b	1c 2d 3c 5d	1/2 4/5	
KA1	2b 4b	2c 5d	2/3 4/5	
KA2	2b ---	2d 5d	1/2 3/4	
KA3	3a 4b	3c ---	1/2 4/5	
KA4	3a 3b	5d ---	1/2 3/4	
KA5	5b ---	3c 5d	3/4	

TOLERANCE		 Young Yak Enterprise Co., Ltd. TITLE Keying Codes			
X.	---				
X.X	---				
X.XX	---				
X.XXX	---				
ANGULAR	---	APPROVALS			
DRAWN	Cherry 03-September-2012	VIEW	SCALE	PART NO.	REV.
CHECKED	Kang 03-September-2012		F	YY-A5002-H05-K****	A1
APPROVED	Denise 03-September-2012	UNIT	SIZE	DWG NO.	SHEET
		MM	A4	YY-A5002-H05-014	3 OF 4

5 Circuits

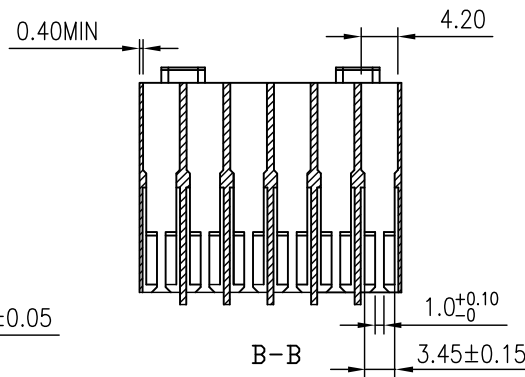
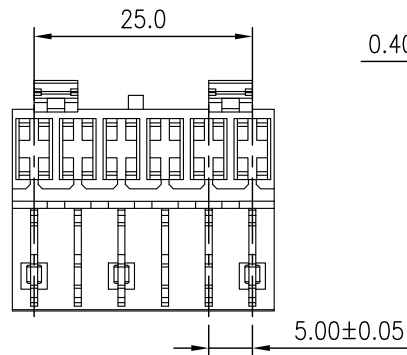
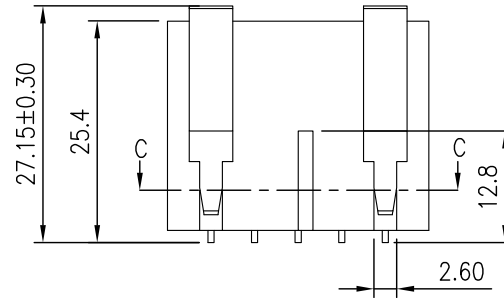
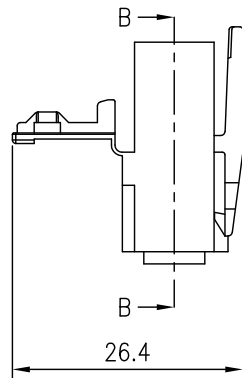
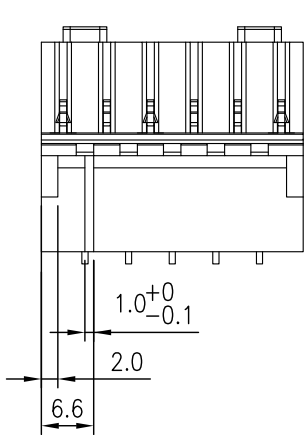
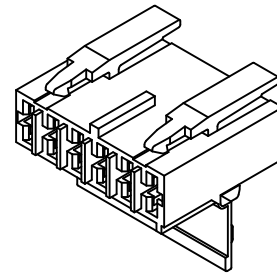
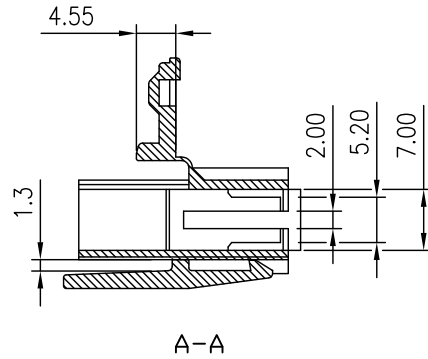
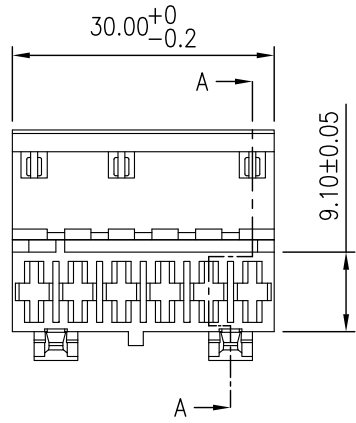
Keying codes

Code	P	K	V	CONFIGURATION
KA6	1a 2b 3a ---	3c 5d	1/2 4/5	
KA7	1a 2b 3b 5b	1c 2d 3c 4d 5cd --	1/2 3/4	
KA8	1a 5b	1c 3d	-- --	
KA9	1a 5b	1c --	1/2 3/4	
KB1	1b 2b 4a --	1c 5d	1/2 4/5	
KB2	2b --	1c 2d 3c 4c 5d --	1/2 4/5	
KB3	5b --	3d --	1/2 --	
KB4	3b --	3d --	1/2 4/5	

TOLERANCE		 Young Yak Enterprise Co., Ltd. TITLE Keying Codes			
X.	--				
X.X	--				
X.XX	--				
X.XXX	--				
ANGULAR	--				
APPROVALS					
DRAWN	Cherry 03-September-2012	VIEW	SCALE	PART NO.	REV.
CHECKED	Kang 03-September-2012		F	YY-A5002-H05-K****	A1
APPROVED	Denise 03-September-2012	UNIT	SIZE	DWG NO.	SHEET
		MM	A4	YY-A5002-H05-014	4 OF 4



US E182481



REV	DESCRIPTION	DATE
A2	EN010213-1	2012.02.15
A3	EN010903-1	2012.09.03

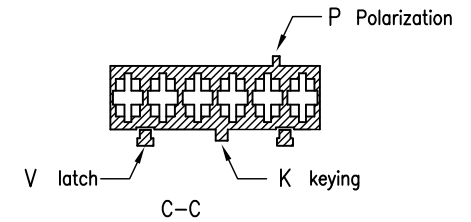
NOTES

Compliant with IEC 60335-1 & IEC 60695-2-11
 End-Product GWT750°C No Flame
 Available in 06 Circuits
 Material: Nylon 66 UL94-V0
 Mates with : YY-A504*-W06-K**-GT Header
 Use with : YY-A5002-T Terminals
 Packing : Bag

ORDERING INFORMATION

YY - A5002 - H06 - K** **
 1 2 3

- No. of Circuits 06
- Keying code to be completed by further details.
(see keying codes No.)
- Color : - Nature
 BK - Black
 RD - Red
 GR - Grey



Young Yak
 2012.09.18
 ISSUED

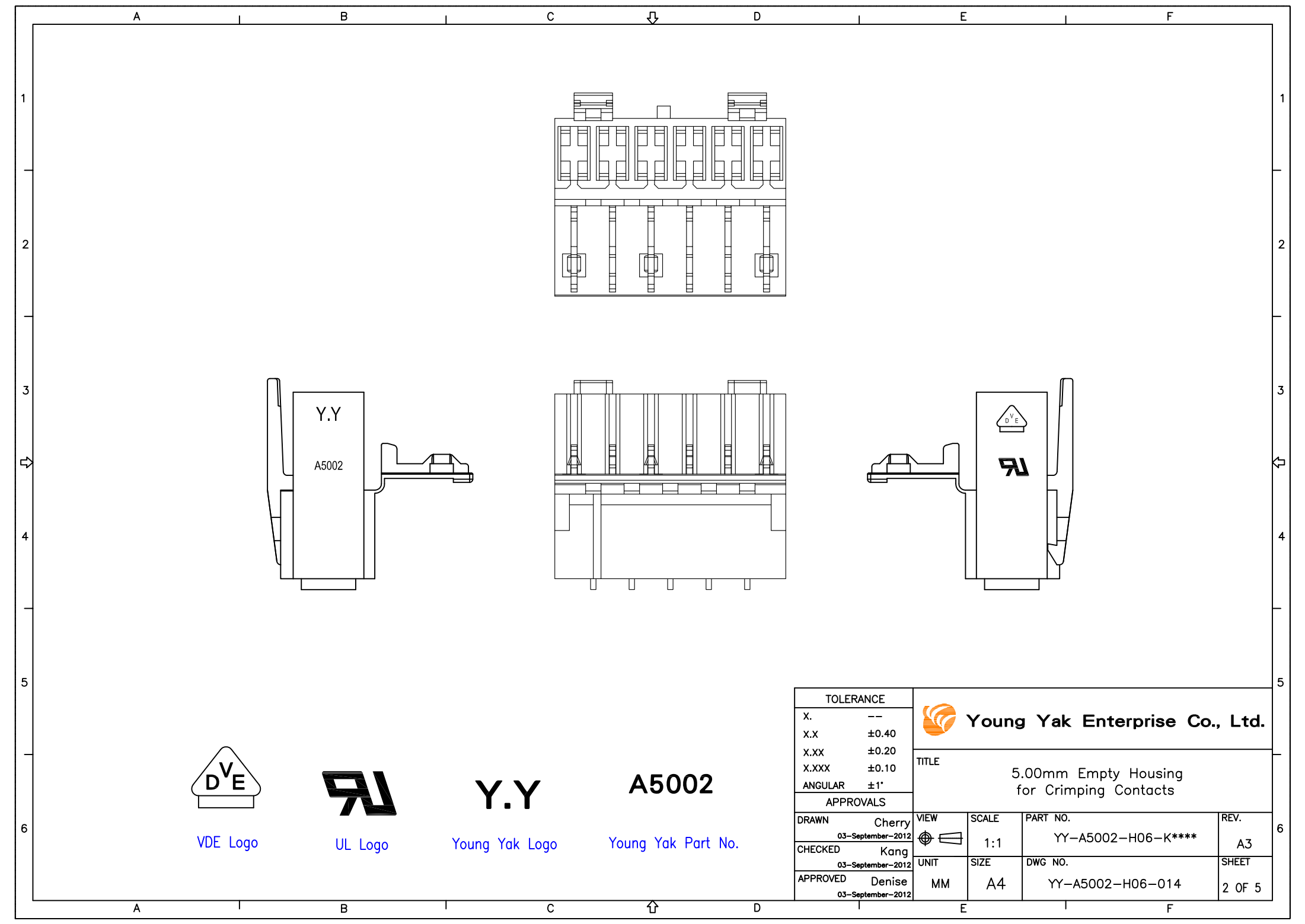
TOLERANCE	
X.	--
X.X	±0.20
X.XX	±0.10
X.XXX	±0.05
ANGULAR	--
APPROVALS	
DRAWN	Cherry
03-September-2012	
CHECKED	Kang
03-September-2012	
APPROVED	Denise
03-September-2012	



Young Yak Enterprise Co., Ltd.

TITLE
 5.00mm Empty Housing
 for Crimping Contacts

VIEW	SCALE	PART NO.	REV.
	F	YY-A5002-H06-K****	A3
UNIT	SIZE	DWG NO.	SHEET
MM	A4	YY-A5002-H06-014	1 OF 5



VDE Logo




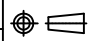
UL Logo



Young Yak Logo

A5002

Young Yak Part No.


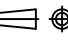
TOLERANCE		 Young Yak Enterprise Co., Ltd.		
X.	--			
X.X	±0.40			
X.XX	±0.20			
X.XXX	±0.10			
ANGULAR	±1°	TITLE		
APPROVALS		5.00mm Empty Housing for Crimping Contacts		
DRAWN	Cherry 03-September-2012	VIEW	SCALE	PART NO.
CHECKED	Kang 03-September-2012		1:1	YY-A5002-H06-K****
APPROVED	Denise 03-September-2012	UNIT	SIZE	DWG NO.
		MM	A4	YY-A5002-H06-014
				REV.
				A3
				SHEET
				2 OF 5

6 Circuits

Keying codes

Code	P	K	V	CONFIGURATION
K00	1ab 2ab 3ab 4ab 5ab 6ab	1c 2d 3cd 4c 5d 6cd	1/2 4/5	
K01	1b --	3c 6d	1/2 4/5	
K06	1a 2b 4a 5ab 6b --	1c 3c 4d 6d	1/2 3/4 5/6 --	
K15	1b 2a 3a 4b 5ab 6b	1c 6d	2/3 5/6	
K21	1ab 2ab 3ab 6a	1cd 2c 3d 5d 6c --	4/5 --	
K29	1b 2ab 3a 6ab	2d 4c 6d --	1/2 5/6	
K30	1a 3b 4b --	1c 5d 6c --	1/2 4/5	
K35	1a 2b 6b --	3c 4d 6d --	1/2 5/6	
K50	1b 2a 3b --	1c 2d 5c 6d	1/2 3/4 5/6 --	
K51	1b 2b 3b --	1c 5c 6d --	1/2 3/4 5/6 --	
K66	1b 2a 3a 4b 5b 6ab	1c 2d 3c 6d	1/2 3/4 5/6 --	
K73	1a 2b 4a 6b	2d 3c 6cd --	1/2 3/4	

Code	P	K	V	CONFIGURATION
K99	-- --	-- --	-- --	
KA1	1b 5b	1c 6d	2/3 5/6	
KA2	1b --	3c --	1/2 5/6	
KA3	1b --	4c --	1/2 5/6	
KA4	1b 2a 3a 4b 5a 6b	1c 2d 4d 6d	1/2 3/4 5/6 --	
KA5	1ab 2b 3a 6b	2d 3c	1/2 5/6	
KA6	1a 2b 4a 6b	1c 6cd	1/2 3/4	
KA7	1b 2ab 3b 4ab 5a 6b	2d 4d 6d --	1/2 3/4 5/6 --	
KA8	1ab 4ab	3d 6d	1/2 4/5	


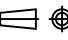
TOLERANCE		 Young Yak Enterprise Co., Ltd. TITLE Keying Codes				
X.	--					
X.X	--					
X.XX	--					
X.XXX	--					
ANGULAR		APPROVALS				
DRAWN		Cherry	VIEW	SCALE	PART NO.	REV.
03-September-2012				F	YY-A5002-H06-K****	A3
CHECKED		Kang	UNIT	SIZE	DWG NO.	SHEET
03-September-2012			MM	A4	YY-A5002-H06-014	3 OF 5
APPROVED		Denise				
03-September-2012						

6 Circuits

Keying codes

Code	P	K	V	CONFIGURATION
KA9	1b 3a	3c 6d	1/2 4/5	
KB1	1a 2b 3ab 5b 6b --	1c 4d 6d --	1/2 3/4 5/6 --	
KB2	3b 5b	2d --	-- --	
KB3	1a 3b 4b 6a	1c 4c	1/2 4/5	
KB4	1a 6a	3c 5c 6d --	1/2 5/6	
KB5	5b --	1cd 2cd 3d 4d 5c 6d	5/6 --	
KB6	2b 6b	4d --	-- --	
KB7	1b --	3c --	-- --	
KB8	1a --	3d 6d	1/2 5/6	
KB9	2a 3b 5a 6b	1c 2d 4c 5d	1/2 4/5	
KC1	1a --	3c 6d	-- --	
KC2	5b 6a	3c 5c 6d --	5/6 --	


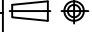
Code	P	K	V	CONFIGURATION
KC3	1ab 2b 3b --	2d 5c 6d --	-- --	
KC4	1a 3b 4ab --	1c 6d	1/2 4/5	
KC5	1b 3a 4a 6a	1c 4c	1/2 4/5	
KC6	3a 6b	1c 6d	1/2 5/6	
KC7	3a 4a	1c 3c 5c --	1/2 5/6	
KC8	2a 3b 5b --	3c --	1/2 3/4 5/6 --	
KC9	1b 3ab 4a 5ab 6b --	1c 2d 4d 6d	1/2 3/4 5/6 --	
KD1	5b 6ab	3c 5d 6cd --	3/4 --	
KD2	1b 2ab 3ab 6a	1cd 2c 3d 5d 6cd --	4/5 --	

TOLERANCE		 Young Yak Enterprise Co., Ltd. TITLE Keying Codes			
X.	--				
X.X	--				
X.XX	--				
X.XXX	--				
ANGULAR		--			
APPROVALS					
DRAWN	Cherry	VIEW	SCALE	PART NO.	REV.
	03-September-2012		F	YY-A5002-H06-K****	A3
CHECKED	Kang	UNIT	SIZE	DWG NO.	SHEET
	03-September-2012	MM	A4	YY-A5002-H06-014	4 OF 5
APPROVED	Denise				
	03-September-2012				

6 Circuits

Keying codes

Code	P		K		V		CONFIGURATION
KD3	1ab 3b	2b --	2d 6d	5c --	1/2 5/6	3/4 --	

TOLERANCE		 Young Yak Enterprise Co., Ltd.					
X.	--					TITLE	
X.X	--						
X.XX	--						
X.XXX	--						
ANGULAR	--						
APPROVALS		Keying Codes					
DRAWN	Cherry	VIEW	SCALE	PART NO.	REV.		
	03-September-2012		F		A3		
CHECKED	Kang	UNIT	SIZE	DWG NO.	SHEET		
	03-September-2012	MM	A4	A50XX-Keying Codes	5 OF 5		
APPROVED	Denise						
	03-September-2012						



CULUS E182481

REV	DESCRIPTION	DATE
A4	EN010626-1	2012.06.26
A5	EN010903-1	2012.09.03

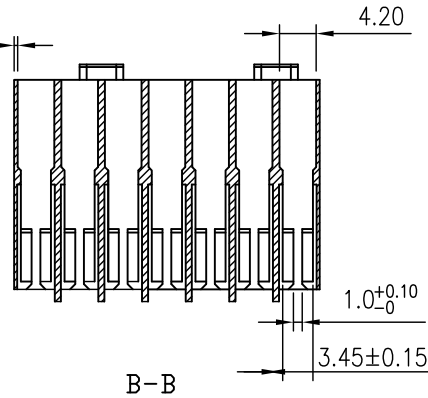
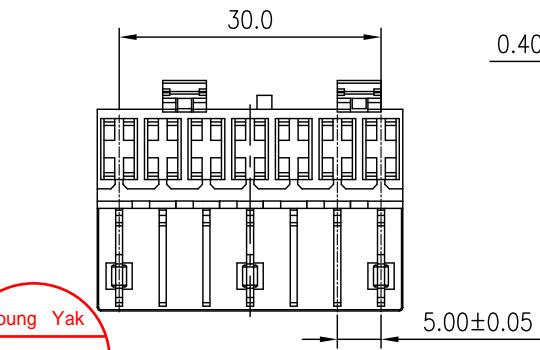
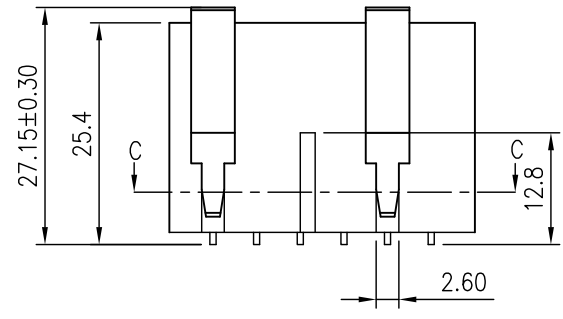
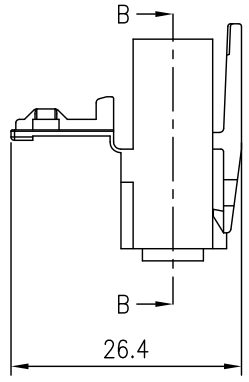
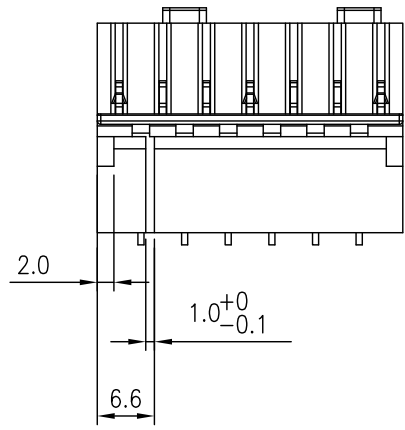
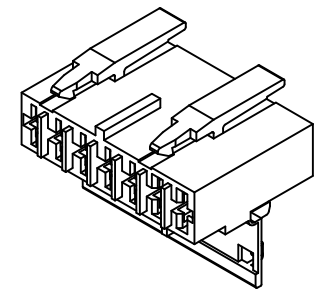
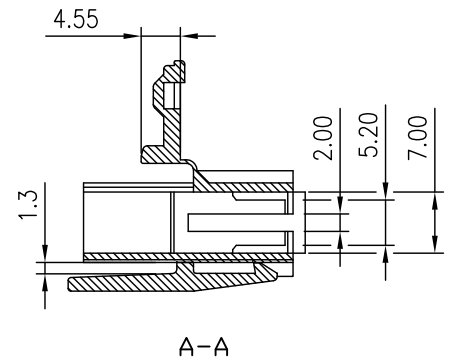
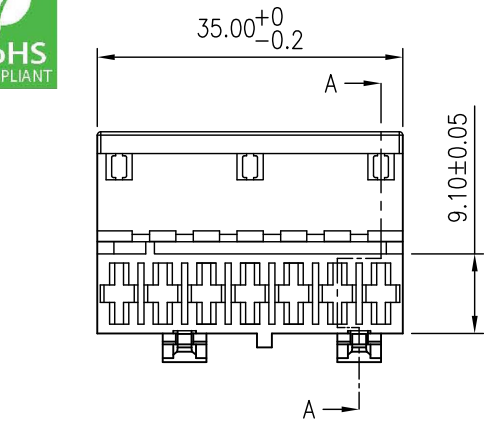
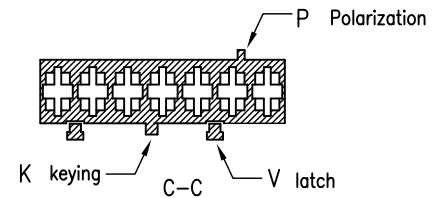
NOTES

Compliant with IEC 60335-1 & IEC 60695-2-11
 End-Product GWT750°C No Flame
 Available in 07 Circuits
 Material: Nylon 66 94-V0
 Mates with : YY-A504*-W07-K**-GT Header
 Use with : YY-A5002-T Terminals
 Packing : Bag

ORDERING INFORMATION

YY - A5002 - H07 - K** **
 1 2 3

- No. of Circuits 07
- Keying code to be completed by further details.
(see keying codes No.)
- Color : - Nature
 BK - Black
 RD - Red
 GR - Grey



TOLERANCE	
X.	--
X.X	±0.20
X.XX	±0.10
X.XXX	±0.05
ANGULAR	--
APPROVALS	
DRAWN	Cherry
03-September-2012	
CHECKED	Kang
03-September-2012	
APPROVED	Denise
03-September-2012	



Young Yak Enterprise Co., Ltd.

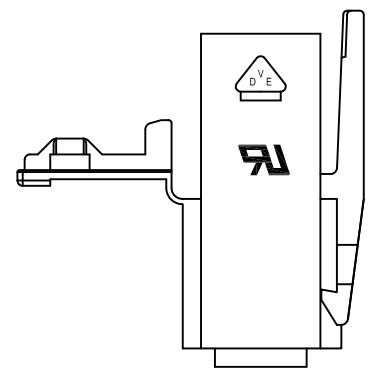
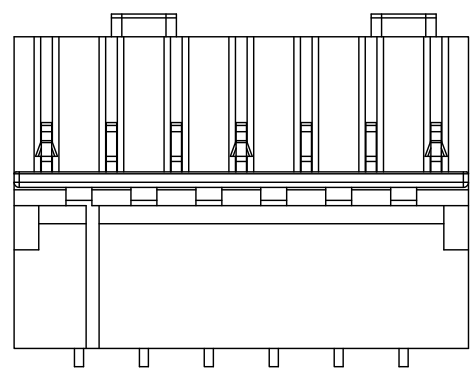
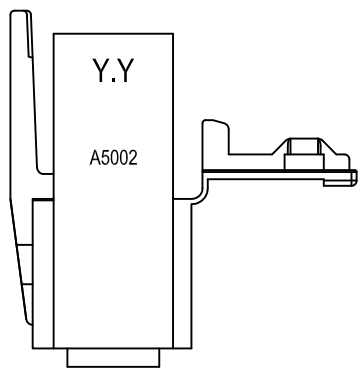
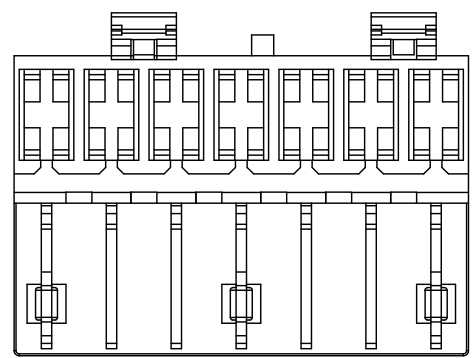
TITLE
 5.00mm Empty Housing
 for Crimping Contacts

VIEW	SCALE	PART NO.	REV.
	F	YY-A5002-H07-K****	A5
UNIT	SIZE	DWG NO.	SHEET
MM	A4	YY-A5002-H07-014	1 OF 4

Young Yak
 2012.09.18
 ISSUED

A B C D E F

1
2
3
4
5
6



VDE Logo




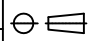
UL Logo

Y.Y

Young Yak Logo

A5002

Young Yak Part No.

TOLERANCE X. -- X.X ±0.40 X.XX ±0.20 X.XXX ±0.10 ANGULAR ±1°		 Young Yak Enterprise Co., Ltd.		
APPROVALS DRAWN Cherry 03-September-2012 CHECKED Kang 03-September-2012 APPROVED Denise 03-September-2012		TITLE 5.00mm Empty Housing for Crimping Contacts		
VIEW 	SCALE 1:1	PART NO. YY-A5002-H07-K****	REV. A5	
UNIT MM	SIZE A4	DWG NO. YY-A5002-H07-014	SHEET 2 OF 4	


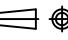
A B C D E F

7 Circuits

Keying codes

Code	P	K	V	CONFIGURATION
K01	-- --	3c 4d 7c --	1/2 5/6	
K19	1b 2ab 4a 5b 6a 7b	1c 2d 4c 5d 6c 7d	1/2 4/5 6/7 --	
K22	1ab 2ab 3ab 4ab 5ab 6ab 7ab -- --	3c 4d 7c --	1/2 5/6	
K23	2a 4b	1c 2d 4d 7d	1/2 3/4 5/6 --	
K30	3a 4a	3d 7d	1/2 5/6	
K35	2b --	2d 7c	1/2 3/4 5/6 --	
K41	2a --	1c 5d	2/3 4/5	
K48	1b 7a	2c 5d	2/3 6/7	
K59	1ab 2b 3a 4b 6a --	1d 3d 4cd 5d 7d --	2/3 6/7	
K63	1a 3a 7b --	2d 5d 6c --	1/2 3/4 6/7 --	
K76	1b 4a 7b --	1c 2d 3c 4d 7cd --	1/2 5/6	
KA2	6b --	4c --	1/2 5/6	

Code	P	K	V	CONFIGURATION
KA3	-- --	2d 3c 7d --	1/2 5/6	
KA4	1b 2a 3a 6a	1c 2d	1/2 5/6	
KA5	1a 7a	4d 7d	1/2 3/4 5/6 --	
KA6	4b 6b	3d --	-- --	
KA7	-- --	2c 7d	4/5 --	
KA8	1b 3b 5ab --	2d 7cd	1/2 5/6	
KA9	1a 2b 4b 5b	3c 4d 5c 6d	1/2 3/4 5/6 --	
KB1	1b 3b 5ab --	2d 3c 7cd --	1/2 5/6	


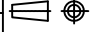
TOLERANCE		 Young Yak Enterprise Co., Ltd. TITLE Keying Codes			
X.	--				
X.X	--				
X.XX	--				
X.XXX	--				
ANGULAR	--	APPROVALS			
DRAWN	Cherry	VIEW	SCALE	PART NO.	REV.
	03-September-2012		F	YY-A5002-H07-K****	A5
CHECKED	Kang	UNIT	SIZE	DWG NO.	SHEET
	03-September-2012	MM	A4	YY-A5002-H07-014	3 OF 4
APPROVED	Denise				
	03-September-2012				

7 Circuits

Keying codes

Code	P	K	V	CONFIGURATION
KB2	2a 3b 4a 5ab 7ab --	2d 3c 5c 7c	1/2 3/4 5/6 --	
KB3	2a 3b 4b 5a 6b 7b	2d 5d 6c 7d	1/2 3/4 6/7 --	
KB4	4b --	1c 2d 4d --	1/2 6/7	
KB5	2a 3b 4b 6b 7b --	2d 5d 6c 7d	1/2 3/4 6/7 --	
KB6	1a 2b 3b 6b 7a --	1c 2d 3c 4d 6c 7d	1/2 3/4 6/7 --	
KB7	2a 4a 5ab 7b	2d 3c 5c 7c	1/2 3/4 5/6 --	
KB8	1a 5b 6ab 7b	1c 3d	2/3 6/7	
KB9	1a 6b	4c 7c	1/2 5/6	
KC1	1a 4a 5b 6b	4c 7c	1/2 5/6	
KC2	-- --	3d 7c	1/2 5/6	
KC3	-- --	4c 7c	1/2 5/6	
KC4	-- --	2d 3c 4d 5c 6d 7c	1/2 5/6	

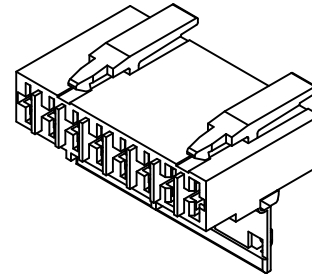
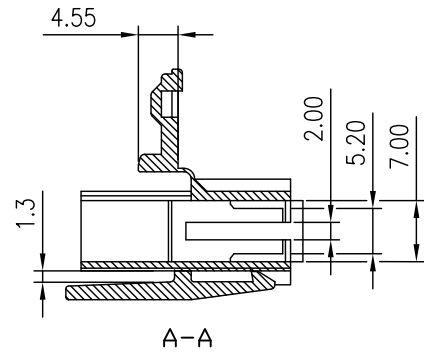
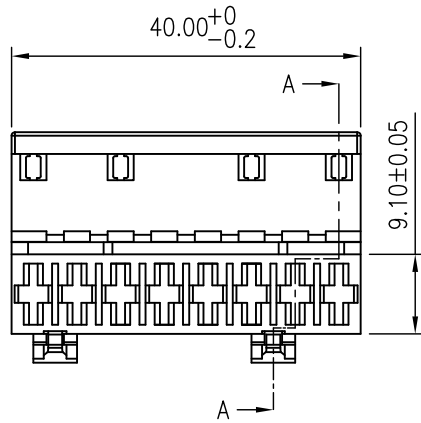
Code	P	K	V	CONFIGURATION
KC5	1a 6b	3c 4d 7c --	1/2 5/6	
KC6	1a 5b 7b --	4d 6c 7d --	-- --	
KC7	1a 5b 7b --	4d 5d	-- --	
KC8	1ab 2b 3a 7b	1d 2cd 4d 5d 7d	3/4 6/7	
KC9	2b --	2d 7c	1/2 5/6	
KD1	-- --	4c --	1/2 5/6	
KD2	1a 6b	3c 7c	4/5 --	

TOLERANCE		 Young Yak Enterprise Co., Ltd. TITLE Keying Codes			
X.	--				
X.X	--				
X.XX	--				
X.XXX	--				
ANGULAR		---			
APPROVALS					
DRAWN	Cherry	VIEW	SCALE	PART NO.	REV.
	03-September-2012		F	YY-A5002-H07-K****	A5
CHECKED	Kang	UNIT	SIZE	DWG NO.	SHEET
	03-September-2012	MM	A4	YY-A5002-H07-014	4 OF 4
APPROVED	Denise				
	03-September-2012				



C US E182481

REV	DESCRIPTION	DATE
A1	EN010903-1	2012.09.03



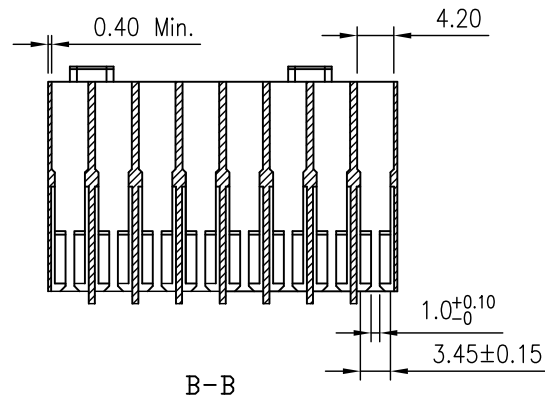
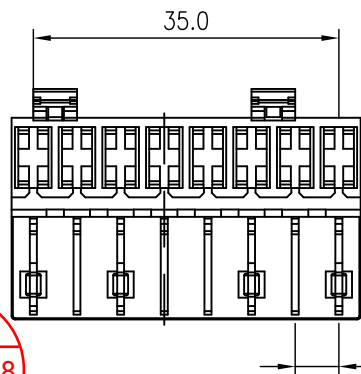
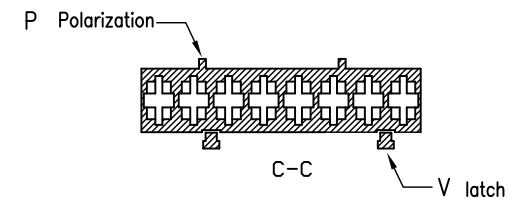
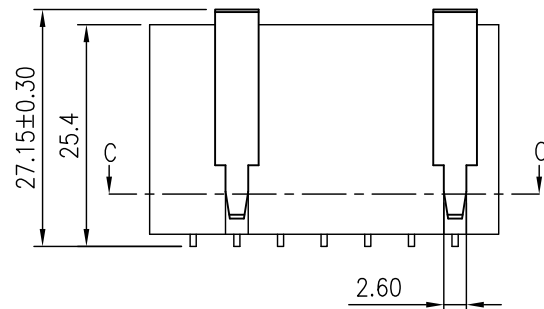
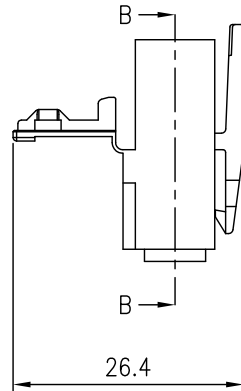
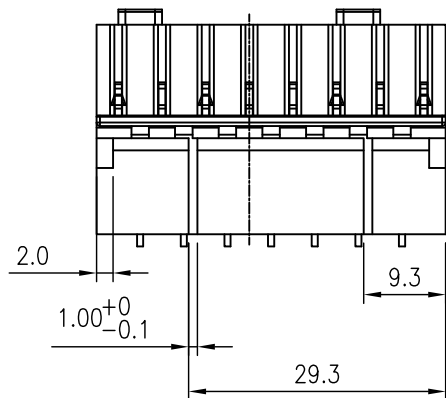
NOTES

Compliant with IEC 60335-1 & IEC 60695-2-11
 End-Product GWT750°C No Flame
 Available in 08 Circuits
 Material: Nylon 66 94-V0
 Mates with : YY-A504*-W08-K**-GT Header
 Use with : YY-A5002-T Terminals
 Packing : Bag

ORDERING INFORMATION

YY - A5002 - H08 - K ****
 1 2 3

- No. of Circuits 08
- Keying code to be completed by further details.
(see keying codes No.)
- Color : - Nature
 BK - Black
 RD - Red
 GR - Grey



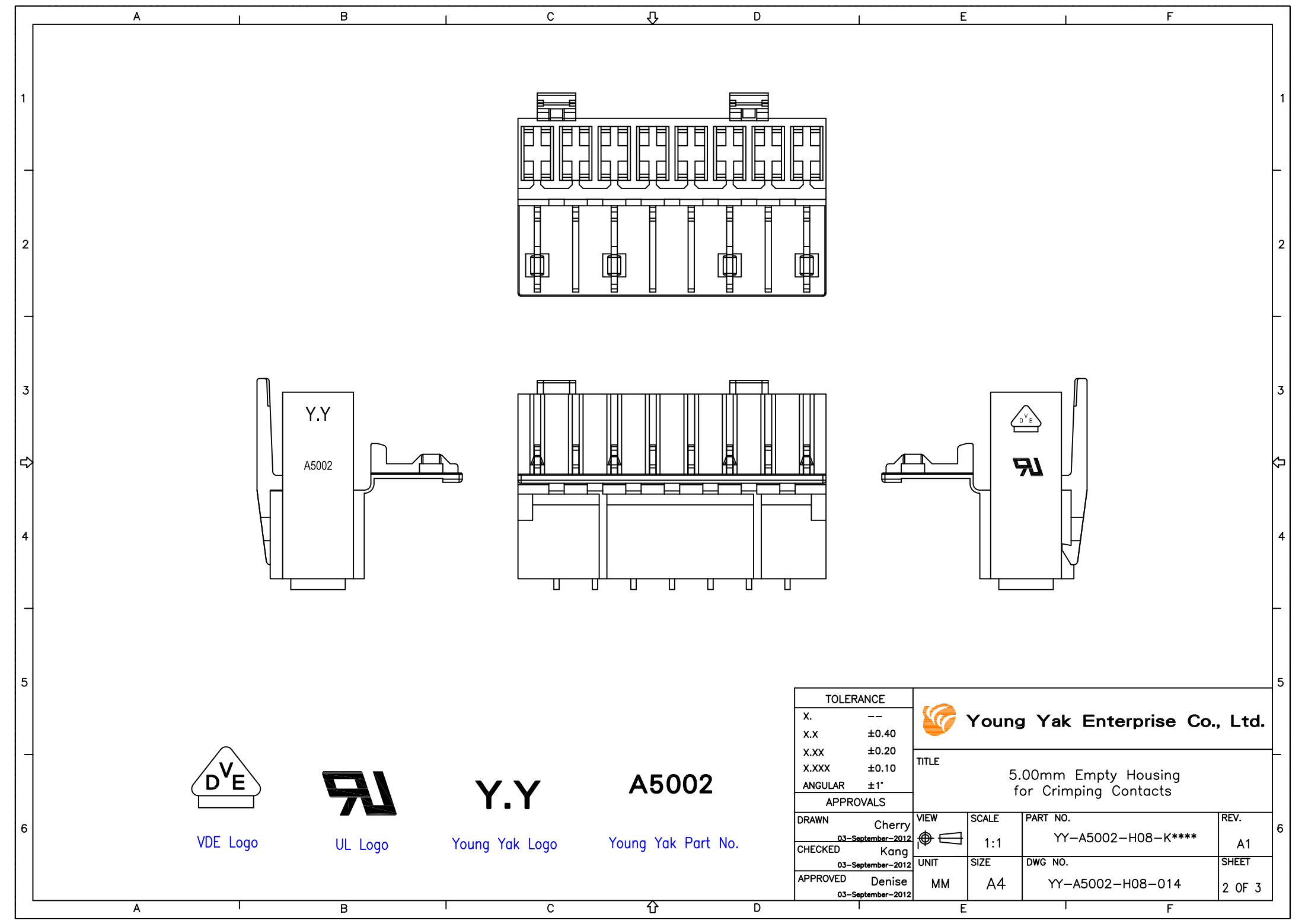
TOLERANCE	
X.	--
X.X	±0.20
X.XX	±0.10
X.XXX	±0.05
ANGULAR	--



TITLE
**5.00mm Empty Housing
 for Crimping Contacts**

APPROVALS		VIEW	SCALE	PART NO.	REV.
DRAWN	Cherry		F	YY-A5002-H08-K****	A1
CHECKED	Kang				
APPROVED	Denise	UNIT	SIZE	DWG NO.	SHEET
		MM	A4	YY-A5002-H08-014	1 OF 3

Young Yak
 2012.09.18
 ISSUED



VDE Logo




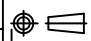
UL Logo



Young Yak Logo

A5002

Young Yak Part No.

TOLERANCE		 Young Yak Enterprise Co., Ltd. TITLE 5.00mm Empty Housing for Crimping Contacts			
X.	--				
X.X	±0.40				
X.XX	±0.20				
X.XXX	±0.10				
ANGULAR	±1°	APPROVALS			
DRAWN	Cherry	VIEW	SCALE	PART NO.	REV.
	03-September-2012		1:1	YY-A5002-H08-K****	A1
CHECKED	Kang	UNIT	SIZE	DWG NO.	SHEET
	03-September-2012	MM	A4	YY-A5002-H08-014	2 OF 3
APPROVED	Denise				
	03-September-2012				

8 Circuits Keying codes

Code	P	K	V	CONFIGURATION
K32	1a 2a 4ab 5a 6b 8a	1c 3c 5c 7c 8d --	1/2 3/4 5/6 7/8	
K38	1ab 3b 5a 6b 7a 8b	1c 3c 4d 8d	1/2 3/4 5/6 7/8	
K42	1b 6b	3c 4d 6c 7d	1/2 3/4 6/7 --	
K44	1a 4b 5b 6a 8b --	4d 6d 7c 8d	1/2 3/4 5/6 7/8	
K49	8b --	2c 3d	2/3 --	
K57	1b 2b 7b --	1c 2d 4c 6d 7c --	1/2 5/6 7/8 --	
K58	1a 2ab 4ab 5b 7b 8b	4d 5c 6d 7c	1/2 3/4 5/6 7/8	
K60	4b 6b 7a --	1c 5c 8d --	1/2 3/4 5/6 7/8	
K62	-- --	4c 5d	1/2 7/8	
K63	-- --	3c 6d	1/2 7/8	
K77	1ab 3ab 5a 6b 7b 8a	1c 3c 5c 7c	1/2 3/4 5/6 7/8	

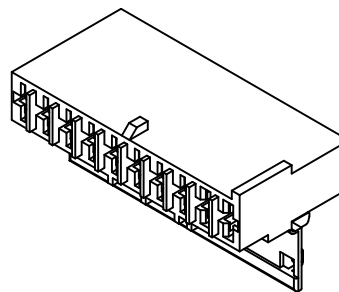
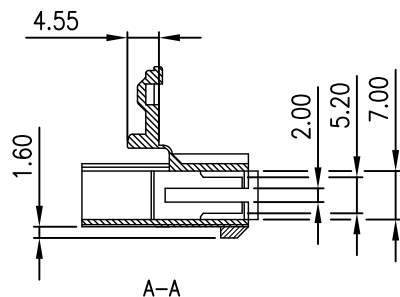
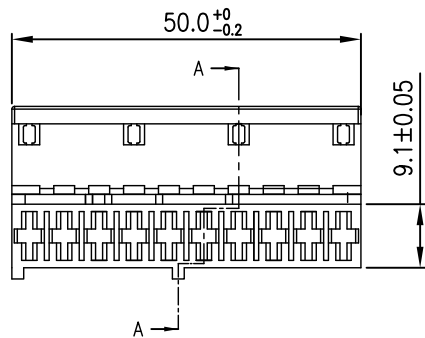
Code	P	K	V	CONFIGURATION
KA2	2b 6b	-- --	2/3 7/8	
KA3	2b 6b	2d 8c	1/2 6/7	
KA4	-- --	3d 4c 5d 6c 7d 8c	2/3 6/7	
KA5	-- --	2d 3c 6d 7c	1/2 7/8	
KA6	3a 7a	-- --	1/2 6/7	
KA7	-- --	1c 2d 5d 6c 7c --	1/2 4/5 7/8 --	
KA8	4b 7b 8b --	1cd 2c 3c 4c 5d 6c 7c 8d --	4/5 7/8	
KA9	1ab 2b 3b 4ab 6a 7a 8b -- --	2d 4d 5c 6d 8d --	1/2 7/8	

TOLERANCE		Young Yak Enterprise Co., Ltd. TITLE Keying Codes			
X.	--				
X.X	±0.25				
X.XX	±0.15				
X.XXX	±0.05				
ANGULAR		--			
APPROVALS					
DRAWN	Cherry	VIEW	SCALE	PART NO.	REV.
	03-September-2012		F	YY-A5002-H08-K****	A1
CHECKED	Kang	UNIT	SIZE	DWG NO.	SHEET
	03-September-2012	MM	A4	YY-A5002-H08-014	3 OF 3
APPROVED	Denise				
	03-September-2012				



C **YI** US E182481

REV	DESCRIPTION	DATE
A1	EN000509-2	2011.05.09
A2	EN010903-1	2012.09.03



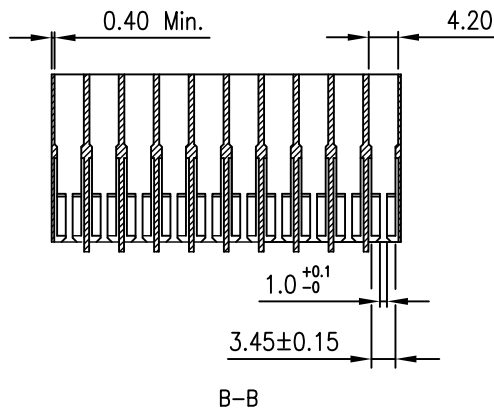
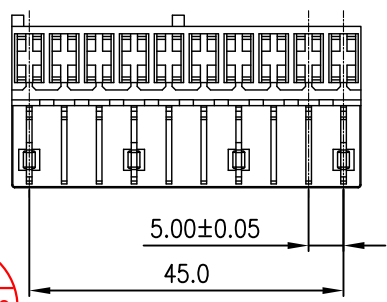
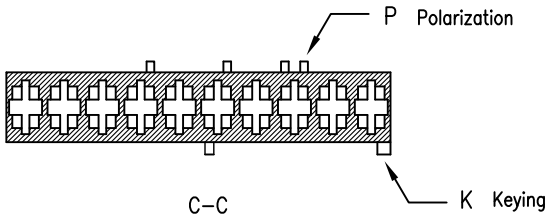
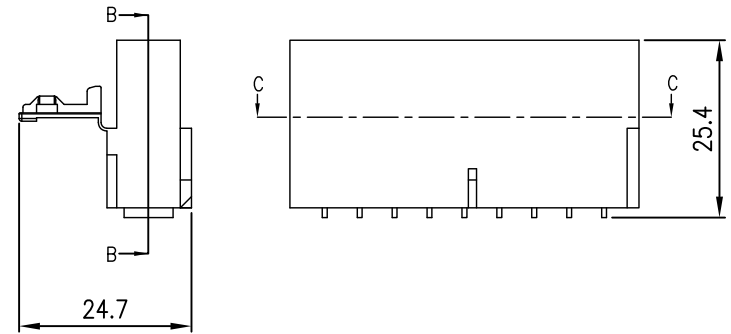
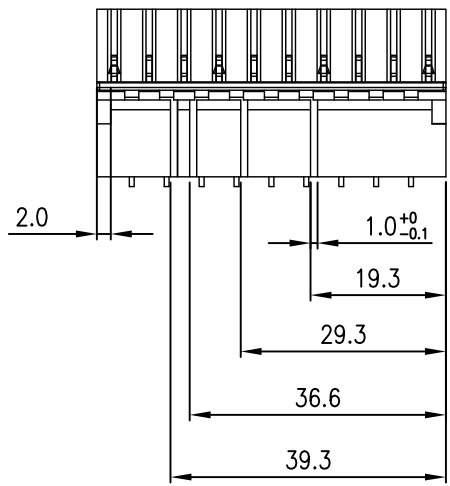
NOTES

Compliant with IEC 60335-1 & IEC 60695-2-11
 End-Product GWT750°C No Flame
 Available in 10 Circuits
 Material: Nylon 66 94-V0
 Mates with : YY-A504*-W10-K**-GT Header
 Use with : YY-A5002-T Terminals
 Packing : Bag

ORDERING INFORMATION

YY - A5002 - H10 - K ****
 1 2 3

- No. of Circuits 10
- Keying code to be completed by further details.
(see keying codes No.)
- Color : - Nature
 BK - Black
 RD - Red
 GR - Grey



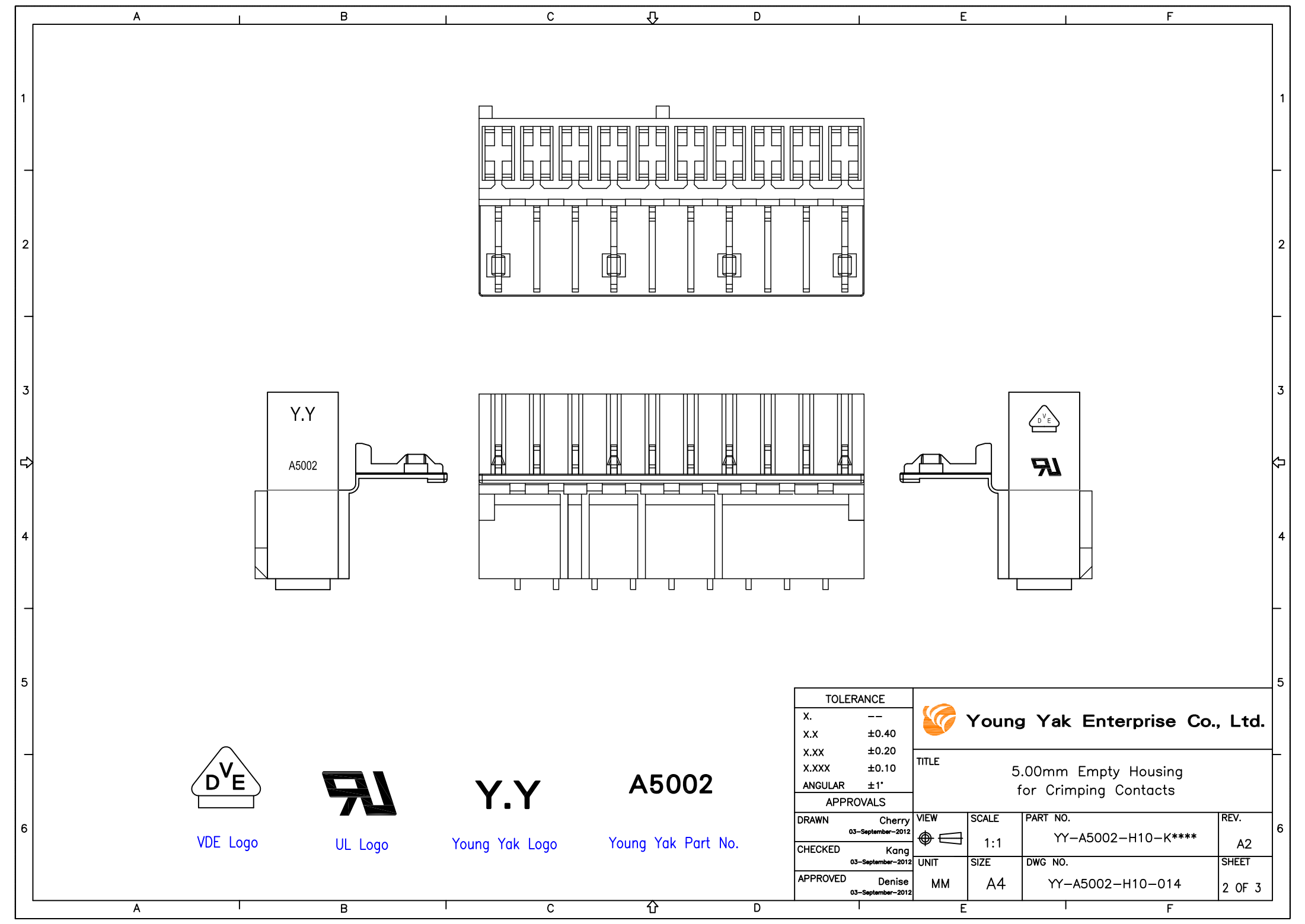
TOLERANCE	
X.	--
X.X	±0.20
X.XX	±0.10
X.XXX	±0.05
ANGULAR	--



TITLE
**5.00mm Empty Housing
 for Crimping Contacts**

APPROVALS		VIEW	SCALE	PART NO.	REV.
DRAWN	Cherry 03-September-2012		F	YY-A5002-H10-K****	A2
CHECKED	Kang 03-September-2012				SHEET
APPROVED	Denise 03-September-2012	UNIT	SIZE	DWG NO.	1 OF 3
		MM	A4	YY-A5002-H10-014	

Young Yak
 2012.09.18
 ISSUED



VDE Logo




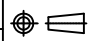
UL Logo

Y.Y

Young Yak Logo

A5002

Young Yak Part No.


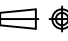
TOLERANCE X. -- X.X ±0.40 X.XX ±0.20 X.XXX ±0.10 ANGULAR ±1°		 Young Yak Enterprise Co., Ltd.		
APPROVALS DRAWN Cherry 03-September-2012 CHECKED Kang 03-September-2012 APPROVED Denise 03-September-2012				
VIEW 	SCALE 1:1	PART NO. YY-A5002-H10-K****	REV. A2	
UNIT MM	SIZE A4	DWG NO. YY-A5002-H10-014	SHEET 2 OF 3	

10 Circuits

Keying codes

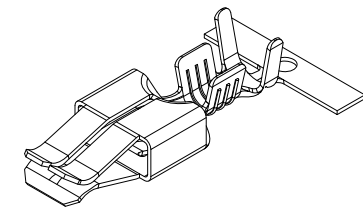
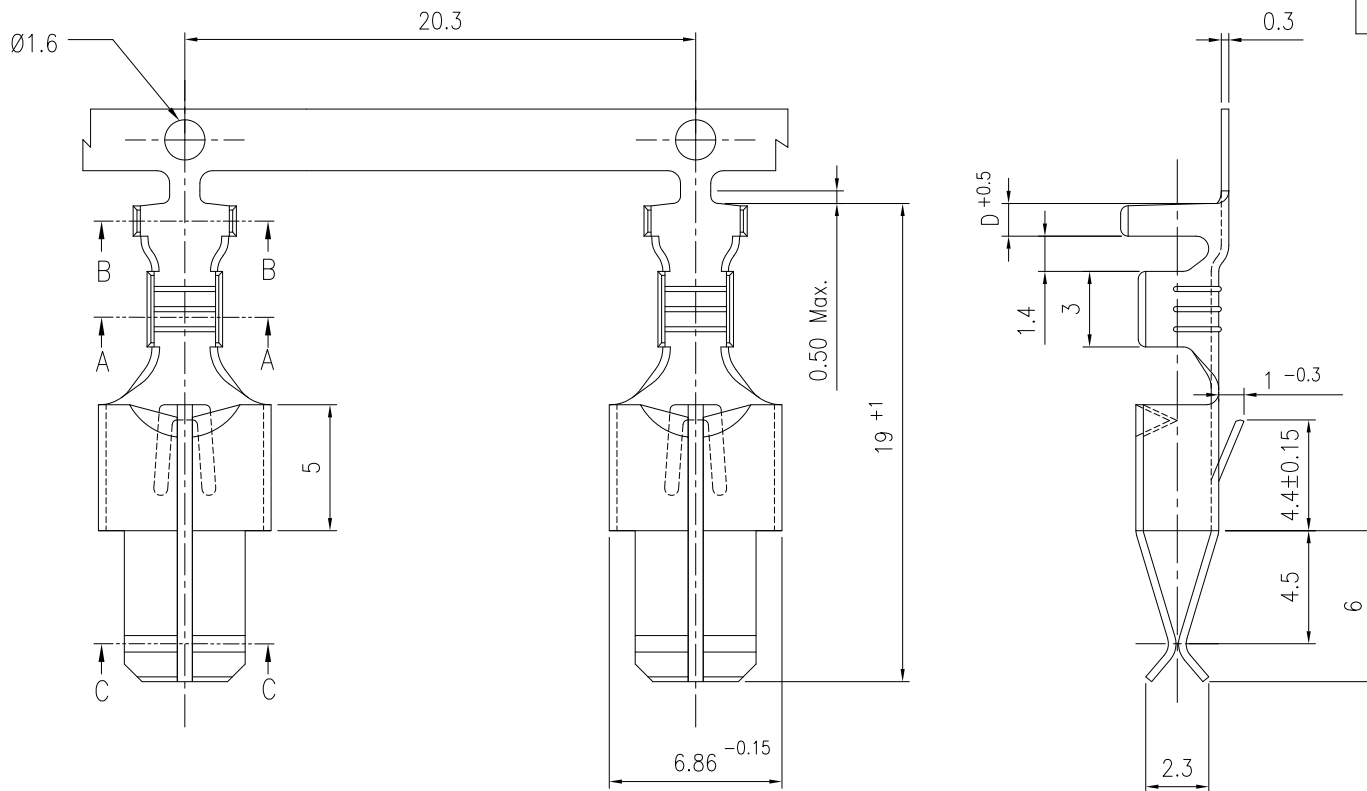
Code	P	K	V	CONFIGURATION
K36	1b 3b 5b 9a ---	1c 6d 7c 9c 10d --	1/2 3/4 5/6 7/8 9/10 --	
K46	2ab 3a 4a 5a 9a 10a	2d 4d 7cd 8c 10d --	1/2 3/4 5/6 8/9 -- --	
K50	1b 5a 8b 9a 10b --	3c 4d 8d 9c -- --	1/2 3/4 5/6 7/8 9/10 --	
K51	1b 3a 4ab 6b 9ab --	1c 5d 6c 7d 9c --	1/2 4/5 6/7 9/10 -- --	
K52	1b 4a 7a 9a -- --	1c 2d 6c 8d 9c --	1/2 4/5 7/8 9/10 -- --	
K53	1b 2a 4a 6b 7b 8ab 10b -- --	1c 3c 4d 5c 6d 8d 9c -- --	1/2 3/4 5/6 7/8 9/10 --	
K54	1b 2b 3a 4b 5b 6a 7a 9a --	1c 4d 5c 6d 7c --	1/2 3/4 5/6 7/8 -- --	
K64	1b 2a 4b 6a 7b 8b 9a 10b --	1c 3c 4d 5c 6d 8d 9c -- --	1/2 3/4 5/6 7/8 9/10 --	
K70	2b 3b 4a 5ab 6b 8a 10b -- --	1d 2c 8d 9c -- --	2/3 5/6 7/8 9/10 -- --	

Code	P	K	V	CONFIGURATION
K71	1a 4a 6a 10b -- --	2d 4d 8d 9c -- --	1/2 3/4 6/7 9/10 -- --	
K72	1a 4a 8a 10a -- --	1c 6b 9c	1/2 3/4 5/6 7/8 9/10 --	
K74	2a 3b 6a 9a -- --	3c 8d 9c	1/2 3/4 5/6 7/8 9/10 --	
K75	3a 4b 5b 6a 7a 9b 10b -- --	1c 3c 5c 7c 8d 9c	1/2 3/4 5/6 7/8 9/10 --	
K76	1ab 4ab 5a 6b 7ab 10b	1c 3c 6d 9d 10cd --	1/2 3/4 5/6 7/8 -- --	
K78	2ab 3a 4b 6a 7ab 8b 9b 10b --	1c 3c 5c 6d 8d 9c	1/2 3/4 5/6 7/8 9/10 --	
KA2	4b 6b 8ab	6c 10d	-- --	
KA3	2b 5a 10b	1d 3d 7d 10d -- --	-- --	

TOLERANCE		 Young Yak Enterprise Co., Ltd. TITLE Keying Codes			
X.	--				
X.X	±0.25				
X.XX	±0.15				
X.XXX	±0.05				
ANGULAR		--			
APPROVALS					
DRAWN	Cherry 03-September-2012	VIEW	SCALE	PART NO.	REV.
CHECKED	Kang 03-September-2012		F	YY-A5002-H10-K****	A2
APPROVED	Denise 03-September-2012	UNIT	SIZE	DWG NO.	SHEET
		MM	A4	YY-A5002-H10-014	3 OF 3



REV	DESCRIPTION	DATE



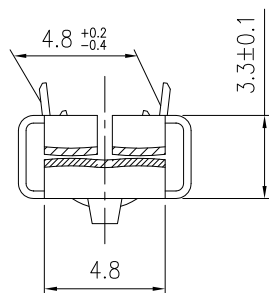
NOTES

Used in YY-A5002 Series Housing
 Material : Brass
 Finish : Tin, Pre-tinned Plated
 Thickness: 0.3mm

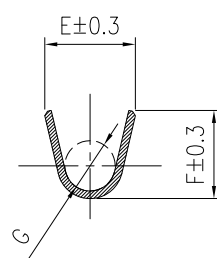
ORDERING INFORMATION

YY-A5002 - T TA *
1 2 3

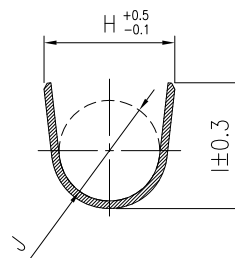
1. T : Terminal
2. TA : Tin , Pre-tinned
3. Wire Range
 L : 1.0~2.5mm²
 S : 0.5~1.5mm²
 S1: 0.5~1.0mm² (FLR)



SECTION C-C



SECTION A-A



SECTION B-B

Young Yak
 2009.06.03
 ISSUED


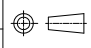
TOLERANCE	
X.	--
X.X	± 0.2
X.XX	± 0.15
X.XXX	± 0.05
ANGULAR	--

Young Yak Enterprise Co., Ltd.

TITLE
 Receptacle Contacts For Standard Timer Rast5

APPROVALS		VIEW	SCALE	PART NO.	REV.
DRAWN	Denise		F	YY-A5002-TTA*	A0
CHECKED	Kang				
APPROVED	Jessica	UNIT	SIZE	DWG NO.	SHEET
		MM	A4	YY-A5002-TTA*-014	1 OF 2

Part NO.	Wire Range	Dimension							Insulation Diameter	Reel Q'TY
		D	E	F	G	H	I	J		
YY-A5002-TTAL	1.0-2.5mm ²	1.3	3.6	3.5	∅2	5.2	5.0	∅4	∅3.0-4.3mm	2500 PCS
YY-A5002-TTAS	0.5-1.5mm ²	1.3	3	3.2	∅1.4	4.1	4.3	∅2.8	∅2.0-3.0mm	2500 PCS
YY-A5002-TTAS1	0.5-1.0mm ²	1.5	2.6	2.8	-	3.6	3.7	-	∅1.4-2.3mm	3000 PCS

TOLERANCE		 Young Yak Enterprise Co., Ltd.			
X.	--				
X.X	±0.2				
X.XX	±0.15				
X.XXX	±0.05				
ANGULAR	--				
APPROVALS		TITLE			
DRAWN Denise 03-June-2009		Receptacle Contacts For Standard Timer Rast5			
CHECKED Kang 03-June-2009		VIEW 	SCALE F	PART NO. YY-A5002-TTA*	REV. A0
APPROVED Jessica 03-June-2009		UNIT MM	SIZE A4	DWG NO. YY-A5002-TTA*-014	SHEET 2 OF 2