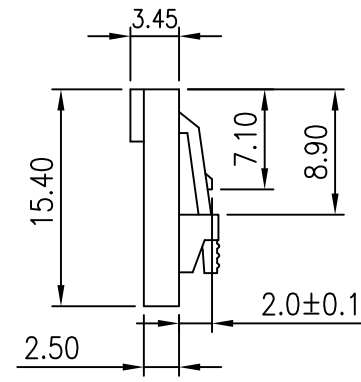
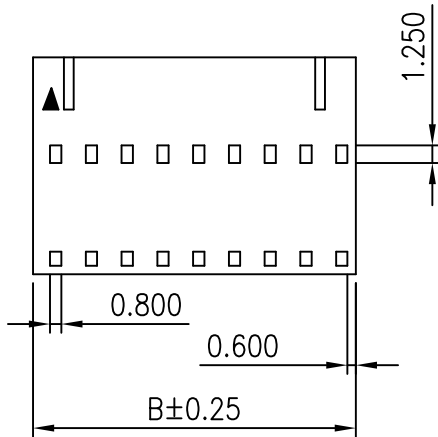
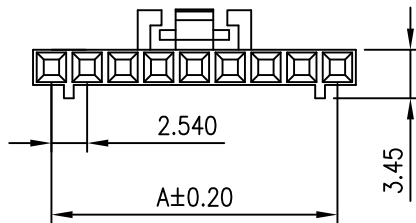


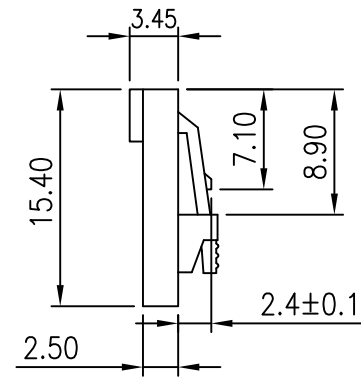


C **YI** US E182481

REV	DESCRIPTION	DATE
A1	EN971211-1	2008.12.11
A2	EN980403-1	2009.04.03



2Pin, 6~20Pin



3~5Pin

NOTES

Available in 1x2 through 1x20 Circuits
 Material: P.B.T+15%GF UL94-V0
 Accepts YY-1820-TF Crimp Terminal
 Mates with YY-1820-W**S or YY-1820-W**R Series Header.
 Color: Black

ORDERING INFORMATION

YY-1820 - $\frac{H}{1} \frac{**}{2}$

- H : Housing
- No. of Circuits 02~20

Circuits	Dimension		Circuits	Dimension		Circuits	Dimension	
	A	B		A	B		A	B
1x2	2.54	5.15	1x9	20.32	22.93	1x16	38.10	40.71
1x3	5.08	7.69	1x10	22.86	25.47	1x17	40.64	43.25
1x4	7.62	10.23	1x11	25.40	28.01	1x18	43.18	45.79
1x5	10.16	12.77	1x12	27.94	30.55	1x19	45.72	48.33
1x6	12.70	15.31	1x13	30.48	33.09	1x20	48.26	50.87
1x7	15.24	17.85	1x14	33.02	35.63	--	--	--
1x8	17.78	20.39	1x15	35.56	38.17	--	--	--

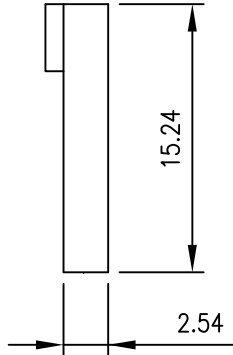
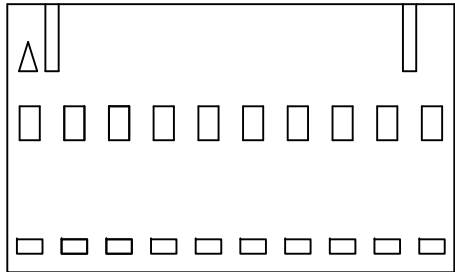
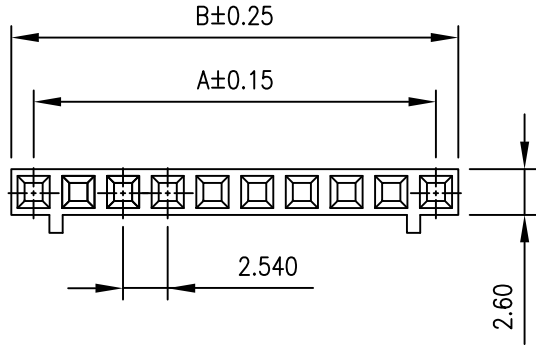


TOLERANCE X. -- X.X ±0.25 X.XX ±0.15 X.XXX ±0.05 ANGULAR --				
APPROVALS DRAWN Frank 03-APRIL-2009 CHECKED Denise 03-APRIL-2009 APPROVED Jessica 03-APRIL-2009				
VIEW	SCALE	PART NO.	REV.	SHEET 1 OF 1
	F	YY-1820-H**	A2	
UNIT	SIZE	DWG NO.		
MM	A4	YY-1820-H**-014		



C **YI** US E182481

REV	DESCRIPTION	DATE



NOTES

Available in 02 through 12 Circuits
 Material: PBT+GF15% UL94-V0
 Accepts YY-1820-T Crimp Terminal
 Mates with YY-1820-H**M Series Housing
 Mates with YY-1820-W**S or YY-1820-W**R Series Header

ORDERING INFORMATION

YY-1820 - H ** F1
 1 2 3

- 1. H : Housing
- 2. No. of Circuits 02~12
- 3. F1 : Front Ribs

Circuits	Dimension		Circuits	Dimension	
	A	B		A	B
2	2.54	5.08	8	17.78	20.32
3	5.08	7.62	9	20.32	22.86
4	7.62	10.16	10	22.86	25.40
5	10.16	12.70	11	25.40	27.94
6	12.70	15.24	12	27.94	30.48
7	15.24	17.78			

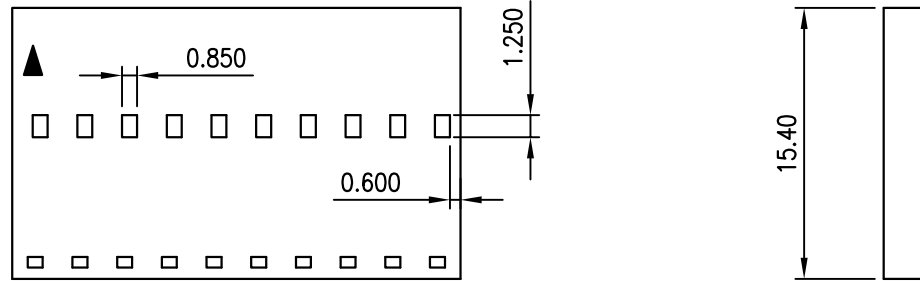
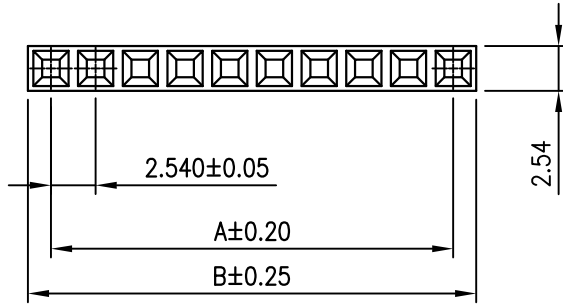
TOLERANCE					
X.	--	Young Yak Enterprise Co., Ltd. TITLE: 2.54mm(.100") Pitch Wire to Wire Housing			
X.X	±0.25				
X.XX	±0.15				
X.XXX	±0.08				
ANGULAR	--				
APPROVALS					
DRAWN	Frank	VIEW	SCALE	PART NO.	REV.
	19-September-2009		F	YY-1820-H**F1	A0
CHECKED	Denise	UNIT	SIZE	DWG NO.	SHEET
	19-September-2009	MM	A4	YY-1820-H**F1-014	1 OF 1
APPROVED	Jessica				
	19-September-2009				





C **YI** US E182481

REV	DESCRIPTION	DATE



NOTES

Available in 02 through 15 Circuits
 Material: PBT+15%GF UL94-V0
 Accepts YY-1820-T Crimp Terminal
 Mates with YY-1820-W**S or
 YY-1820-W**R Series Header
 Color: Black

ORDERING INFORMATION

YY-1820 - H ** F2
 1 2 3

- 1. H : Housing
- 2. No. of Circuits 02~15
- 3. F2 : Double Plane

Circuits	Dimension mm		Circuits	Dimension mm	
	A	B		A	B
2	2.54	5.15	9	20.32	22.93
3	5.08	7.69	10	22.86	25.47
4	7.62	10.23	11	25.40	28.01
5	10.16	12.77	12	27.94	30.55
6	12.70	15.31	13	30.48	33.09
7	15.24	17.85	14	33.02	35.63
8	17.78	20.39	15	35.56	38.17

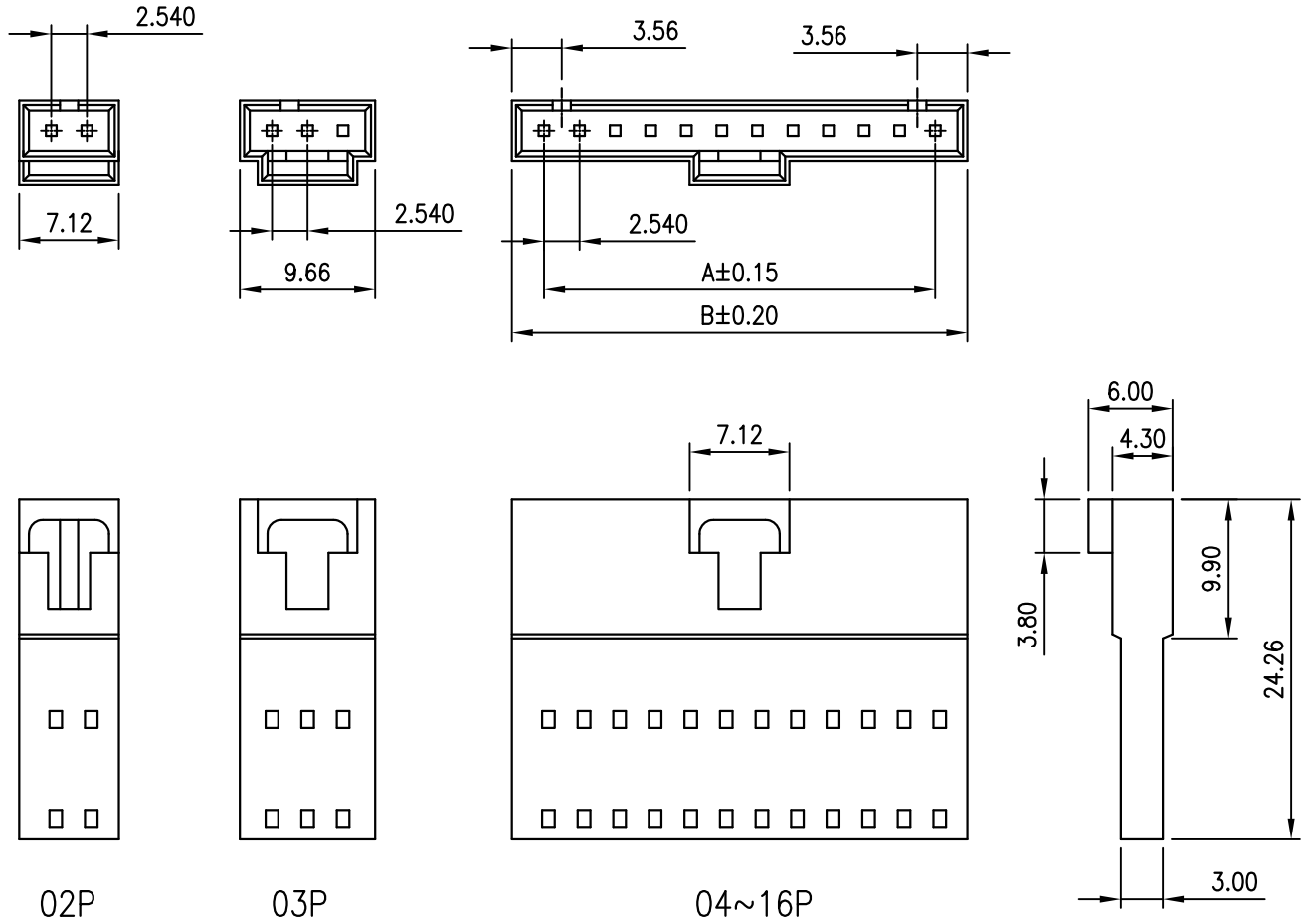
TOLERANCE					
X.	--	TITLE 2.54mm(.100") Pitch Wire to Wire Housing			
X.X	±0.25				
X.XX	±0.15				
X.XXX	±0.08				
ANGULAR	--				
APPROVALS		VIEW			
DRAWN	Frank	SCALE	F	PART NO.	REV.
	19-September-2009			YY-1820-H**F2	A0
CHECKED	Denise	UNIT	SIZE	DWG NO.	SHEET
	19-September-2009	MM	A4	YY-1820-H**F2-014	1 OF 1
APPROVED	Jessica				
	19-September-2009				





C **YI** US E182481

REV	DESCRIPTION	DATE



NOTES

Available in 02 through 16 Circuits
 Material: PBT+15%GF UL94-V0
 Accepts YY-1820-TM Crimp Terminal
 Mates with YY-1820-H
 Color: Black

YY-1820 - $\frac{H}{1} \frac{}{2} \frac{M}{3}$**

- 1. H : Housing
- 2. No. of Circuits 02~16
- 3. M : Male

Circuits	Dimension mm		Circuits	Dimension mm	
	A	B		A	B
2	2.54	7.12	10	22.86	27.44
3	5.08	9.66	11	25.40	29.98
4	7.62	12.20	12	27.94	32.52
5	10.16	14.74	13	30.48	35.06
6	12.70	17.28	14	33.02	37.60
7	15.24	19.82	15	35.56	40.14
8	17.78	22.36	16	38.10	42.68
9	20.32	24.90	--	--	--

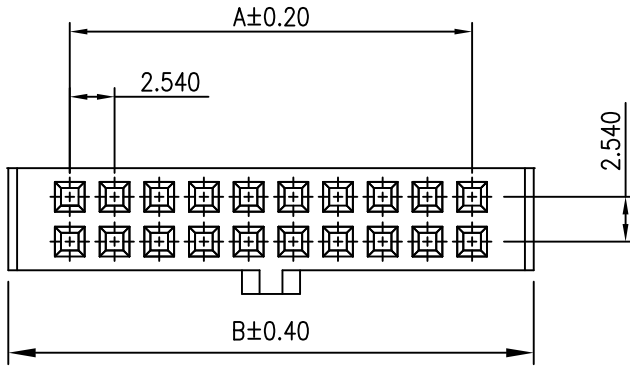
TOLERANCE					
X.	--	TITLE 2.54mm(.100") Pitch Wire to Wire Housing			
X.X	±0.25				
X.XX	±0.15				
X.XXX	±0.05				
ANGULAR	--				
APPROVALS					
DRAWN	Frank	VIEW	SCALE	PART NO.	REV.
	19-September-2009		2:1	YY-1820-H**M	A0
CHECKED	Denise	UNIT	SIZE	DWG NO.	SHEET
	19-September-2009	MM	A4	YY-1820-H**M-014	1 OF 1
APPROVED	Jessica				
	19-September-2009				

Young Yak
 2009.09.19
 ISSUED

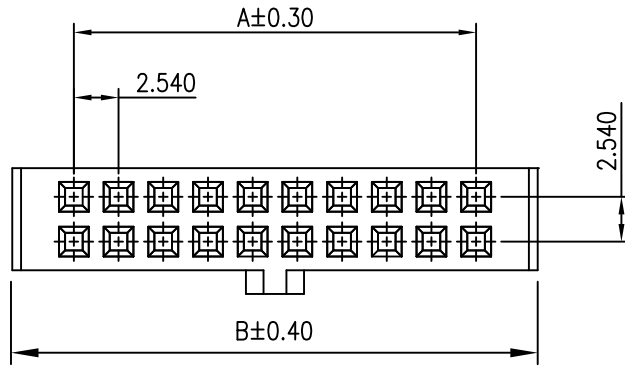


C **YI** US E182481

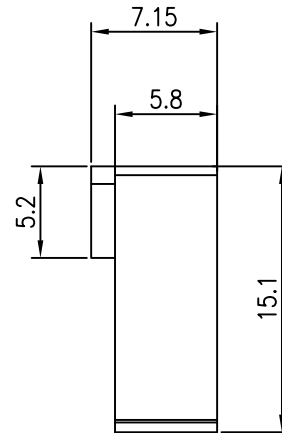
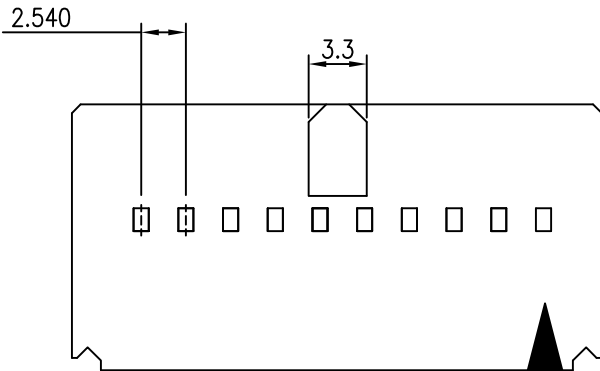
REV	DESCRIPTION	DATE



04~28Pin



30~80Pin



NOTES

Available in 2x2 through 2x40 Circuits
 Material: P.B.T UL94-V0
 Accepts YY-1820-T Crimp Terminal
 Mates with YY-4700-W or YY-4800-W Series Header
 Color: Black

ORDERING INFORMATION

YY-1820D - H **
 1 2

- H : Housing
- No. of Circuits 04~80

Circuits	Dimension mm	
	A	B
2X2	2.54	9.54
2X3	5.08	12.08
A: 2.54 X (PART NO. OF PIN/2-1) B: 7.0+ A		
2X40	99.06	106.06

TOLERANCE	
X.	--
X.X	±0.25
X.XX	±0.15
X.XXX	±0.05
ANGULAR	--
APPROVALS	
DRAWN	Frank 19-September-2009
CHECKED	Denise 19-September-2009
APPROVED	Jessica 19-September-2009



TITLE
 2.54mm(.100") Pitch
 Wire to Wire Housing

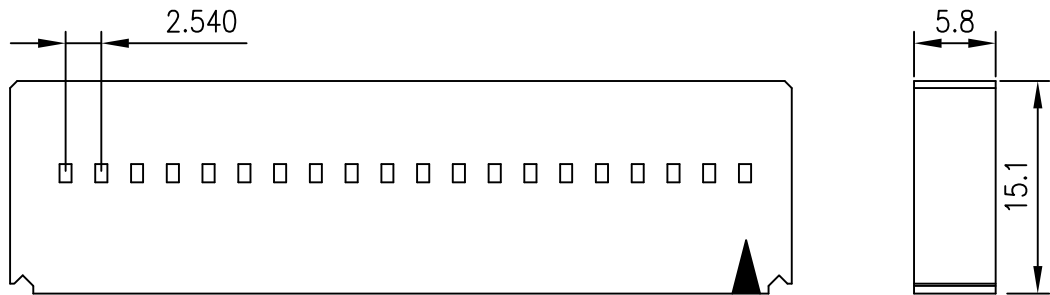
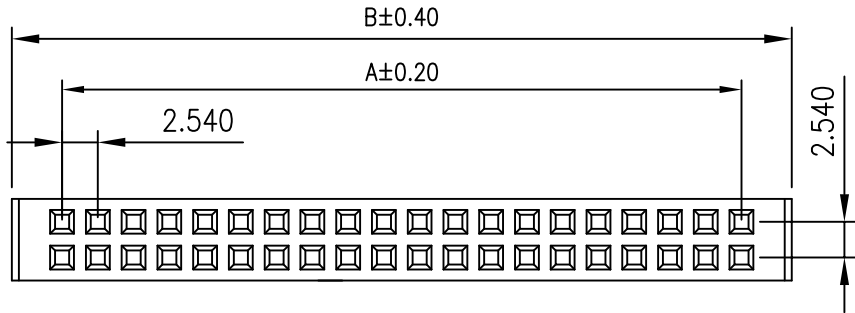
VIEW	SCALE	PART NO.	REV.
	F	YY-1820D-H**	A0
UNIT	SIZE	DWG NO.	SHEET
MM	A4	YY-1820D-H**-014	1 OF 1





C **YI** US E182481

REV	DESCRIPTION	DATE



NOTES

Available in 2x2 through 2x40 Circuits
 Material: P.B.T UL94V-0
 Accepts YY-1820-T Crimp Terminal
 Mates with YY-4700-W or YY-4800-W Series Header.
 Color: Black

ORDERING INFORMATION

YY-1820D - $\frac{H}{1} \frac{}{2} \frac{F}{3}$**

1. H : Housing
2. No. of Circuits 04~80
3. F : Flat

Circuits	Dimension mm		
	A	B	
2X2	2.54	9.54	
2X3	5.08	12.08	
A: 2.54 X (PART NO. OF PIN/2-1) B: 7.0+ A			
2X40	99.06	106.06	

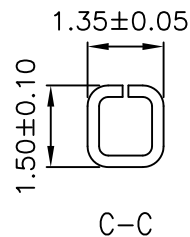
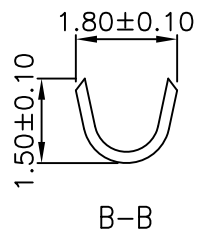
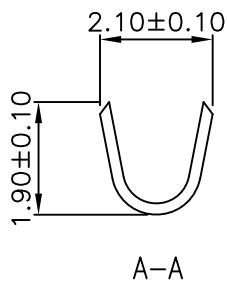
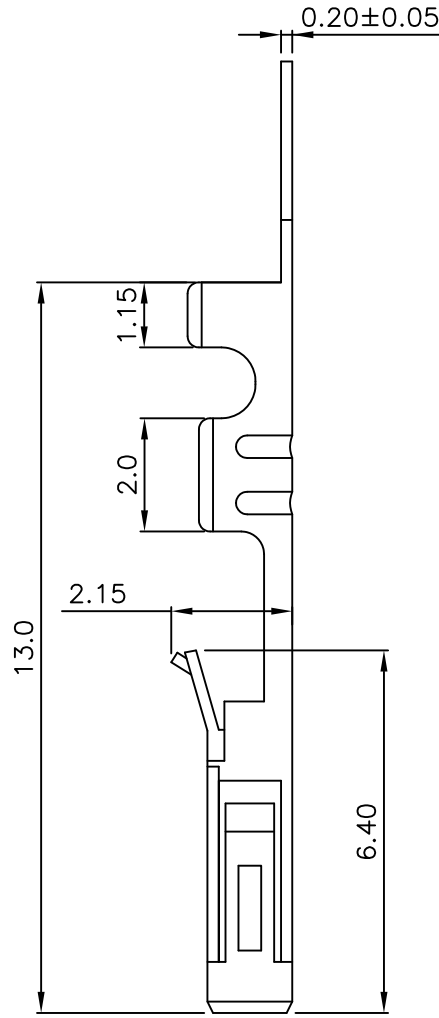
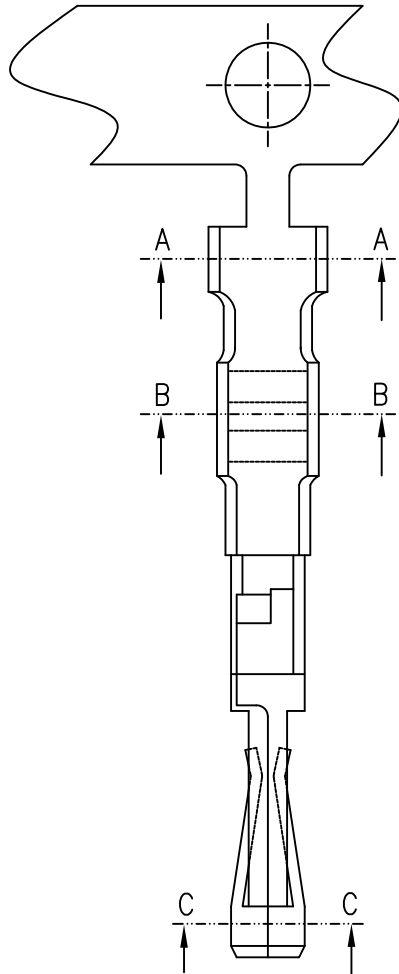
TOLERANCE		Young Yak Enterprise Co., Ltd.			
X.	--	TITLE 2.54mm(.100") Pitch Wire to Wire Housing			
X.X	±0.25				
X.XX	±0.15				
X.XXX	±0.05				
ANGULAR	--				
APPROVALS					
DRAWN	Frank	VIEW	SCALE	PART NO.	REV.
	19-September-2009		F	YY-1820D-H**F	A0
CHECKED	Denise	UNIT	SIZE	DWG NO.	SHEET
	19-September-2009	MM	A4	YY-1820D-H**F-014	1 OF 1
APPROVED	Jessica				
	19-September-2009				





C **YI** US E182481

REV	DESCRIPTION	DATE
A1	EN981214-1	2009.12.14



NOTES

Used in YY-1820-H Series Housing
 Accepts AWG #24~28 Wire Range
 Insulation O.D.= 1.45mm(max)
 ⚠ Material: Phosphor Bronze
 Finished: Tin or Gold-Plated
 Qty/reel: 15,000 PCS
 Thickness: 0.2mm

ORDERING INFORMATION

YY-1820 - T F ** P
 1 2 3 4

- 1. T : Terminal
- 2. F : Female
- ⚠ 3. TB : Tin
 GB : Gold
- 4. Material
 P : Phosphor bronze



TOLERANCE	
X.	--
X.X	±0.25
X.XX	±0.13
X.XXX	±0.05
ANGULAR	--
APPROVALS	
DRAWN	Frank
14-December-2009	
CHECKED	Denise
14-December-2009	
APPROVED	Jessica
14-December-2009	



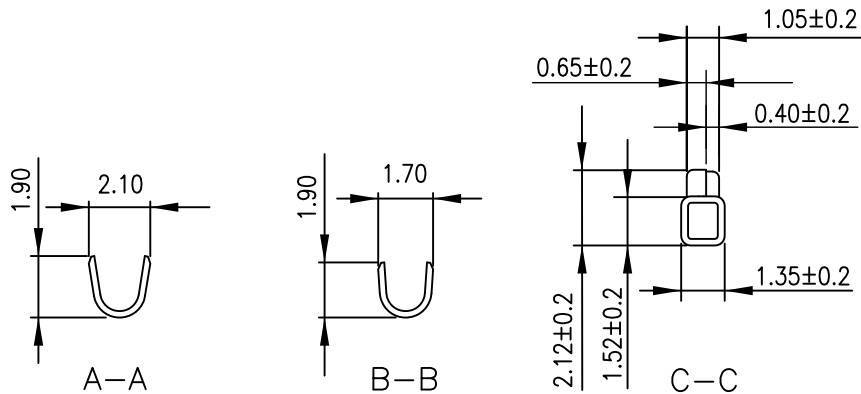
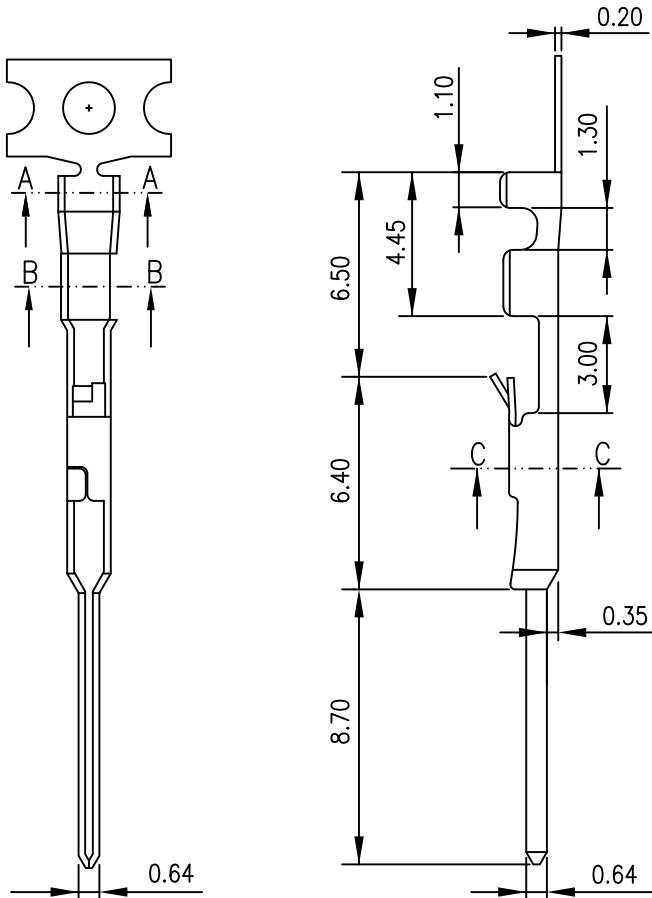
Young Yak Enterprise Co., Ltd.

TITLE
 2.54mm(.100") Pitch
 Wire to Wire Terminal

VIEW	SCALE	PART NO.	REV.
	F	YY-1820-TF**P	A1
UNIT	SIZE	DWG NO.	SHEET
MM	A4	YY-1820-TF**P-059	1 OF 1



C **YI** US E182481



REV	DESCRIPTION	DATE

NOTES

Used in YY-1820-HM Series Housing
 Accepts AWG #24~28Wire Range
 Material: Phosphor Bronze or Brass
 Finished: Tin or Gold-Plated
 Qty/reel: 15,000 PCS
 Thickness:0.2mm

ORDERING INFORMATION

YY - 1820 - T M * * * - *
 1 2 3 4 5 6

- T : Terminal
- M : Male
- Plated
T : Tin G : Gold
- Plated Method
A : Plated before stamping
B : Stamping before plated
- Material
□ : BRASS
P : Phosphor bronze
- Packing
□ : Tape & Reel
L : PE Bag

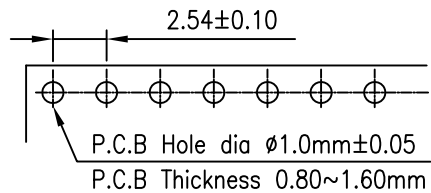
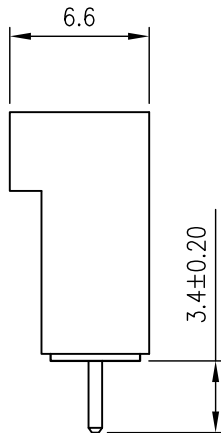
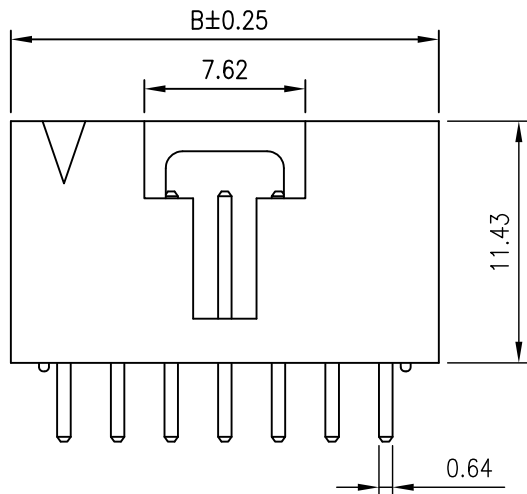
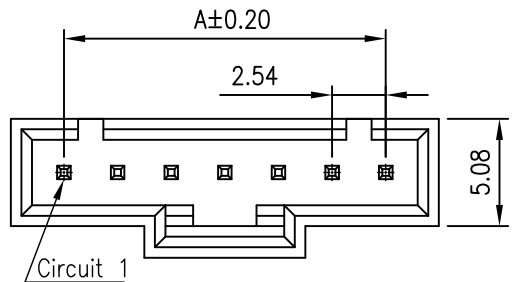
Young Yak
 2009.04.22
 ISSUED

TOLERANCE					
X.	--	TITLE 2.54mm(.100") Pitch Wire to Wire Terminal			
X.X	±0.25				
X.XX	±0.13				
X.XXX	±0.05				
ANGULAR	--				
APPROVALS					
DRAWN	Frank 22-APRIL-2009	VIEW	SCALE	PART NO.	REV.
CHECKED	Denise 22-APRIL-2009		F	YY-1820-TM***-*	A0
APPROVED	Jessica 22-APRIL-2009	UNIT	SIZE	DWG NO.	SHEET
		MM	A4	R-YY-1820-TM***-*-141	1 OF 1



C US E182481

REV	DESCRIPTION	DATE
A1	EN000818-1	2011.08.18



NOTES

Available in 02 through 13 Circuits
 Material: PBT UL94-V0
 Accepts YY-1820-H Housing
 0.64mm(.025") Squard Pin
 Pin Material: Brass/Tin-Plated or Gold-Plated

ORDERING INFORMATION

YY-1820 - W ** S *
 1 2 3

1. No. of Circuits 02~13
2. S : Straight Angle
3. Plated
 T : Tin G : Gold

Circuits	Dimension mm		
	A	B	
2	2.54	7.56	
A: 2.54 X (PART NO. OF PIN-1)			
B: 2.48+2.54X (PART NO. OF PIN)			
12	27.94	32.96	
13	30.48	35.50	

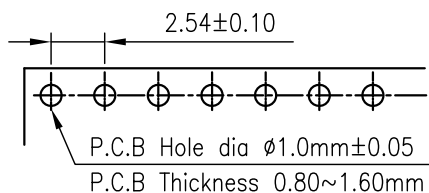
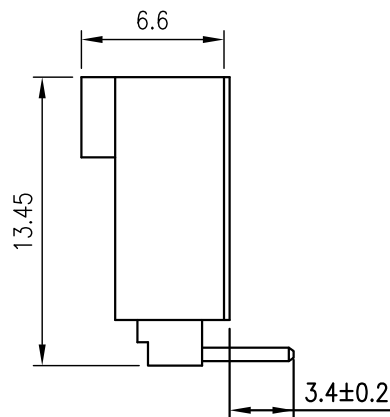
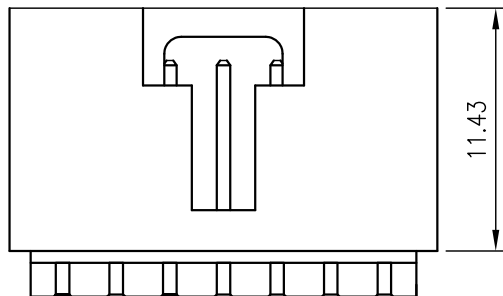
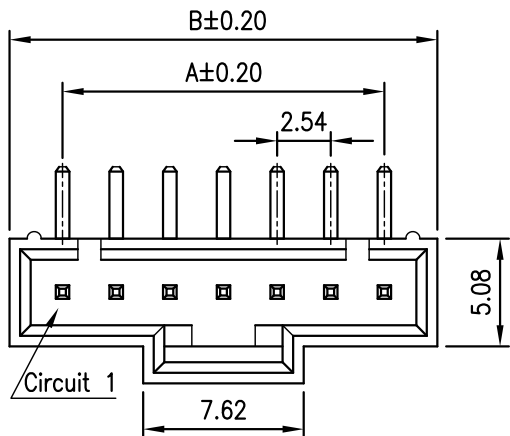
TOLERANCE					
X.	--	TITLE 2.54mm(.100") Pitch Wire to Board Header			
X.X	±0.20				
X.XX	±0.05				
X.XXX	--				
ANGULAR	--				
APPROVALS					
DRAWN	Joan 18-August-2011	VIEW	SCALE	PART NO.	REV.
CHECKED	Denise 18-August-2011		3:1	YY-1820-W**S*	A1
APPROVED	Jessica 18-August-2011	UNIT	SIZE	DWG NO.	SHEET
		MM	A4	YY-1820-W**S*-069	1 OF 1





C **YI** US E182481

REV	DESCRIPTION	DATE
A1	EN000818-1	2011.08.18



PCB LAYOUT

Circuits	Dimension mm		
	A	B	
2	2.54	7.56	
A: 2.54 X (PART NO. OF PIN-1)			
B: 2.48+2.54X (PART NO. OF PIN)			
12	27.94	32.96	
13	30.48	35.50	

NOTES

Available in 02 through 13 Circuits
 Material: PBT UL94-V0
 Accepts YY-1820-H Housing
 0.64mm(.025") Squard Pin
 Pin Material: Brass/Tin-Plated or Gold-Plated

ORDERING INFORMATION

YY-1820 - W ** R *
 1 2 3

- No. of Circuits 02~13
- R : Right Angle
- Plated
 T : Tin G : Gold



TOLERANCE	
X.	--
X.X	±0.20
X.XX	±0.05
X.XXX	--
ANGULAR	--
APPROVALS	
DRAWN	Joan
	18-August-2011
CHECKED	Denise
	18-August-2011
APPROVED	Jessica
	18-August-2011



Young Yak Enterprise Co., Ltd.

TITLE
 2.54mm(.100") Pitch
 Wire to Board Header

VIEW	SCALE	PART NO.	REV.
	F	YY-1820-W***R*	A1
UNIT	SIZE	DWG NO.	SHEET
MM	A4	YY-1820-W***R*-069	1 OF 1