

RoHS compliant

REV	DESCRIPTION	DATE

NOTES

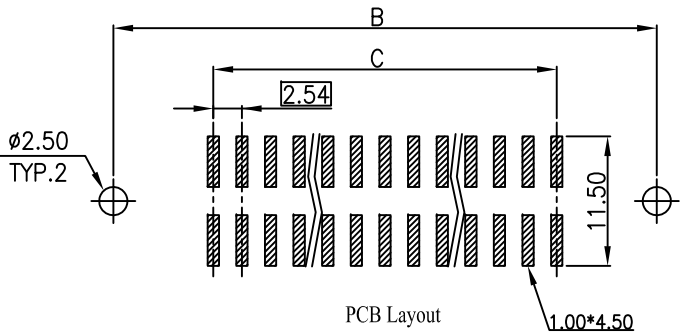
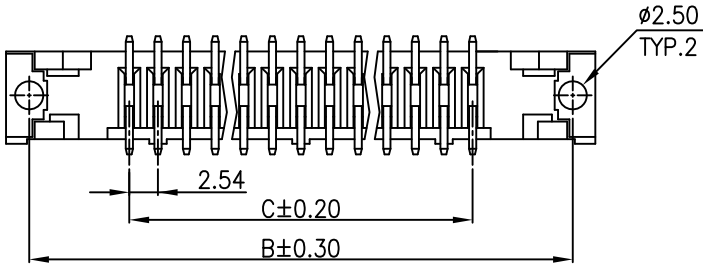
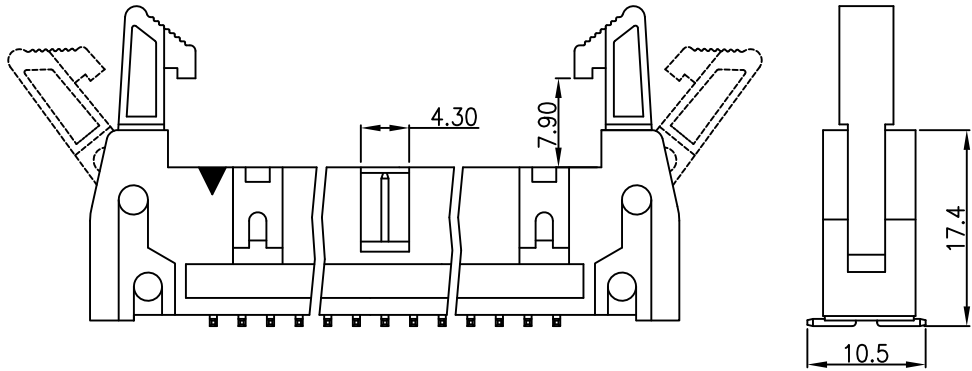
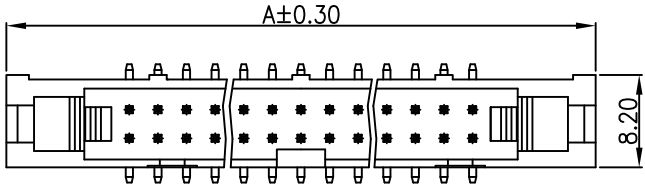
Available in 10 through 50 Circuits
 Material: Nylon 6T UL94-V0, Black
 Pin Material: SQ. 0.64mm Copper Alloy, Gold Plating

ORDERING INFORMATION

YY-4800 - S ** G L
 1 2 3 4

1. S : SMT Type
2. No. of Circuits 10~50
3. Plated
 G : Gold
4. Type
 L : Long Ear

Circuits	Dimension mm		
	A	B	C
2X5	32.00	27.94	10.16
2X7	37.08	33.02	15.24
2X8	39.62	35.56	17.78
2X10	44.70	40.64	22.86
2X13	52.32	48.26	30.48
2X17	62.48	58.42	40.64
2X20	70.10	66.04	48.26
2X25	82.80	78.74	60.96



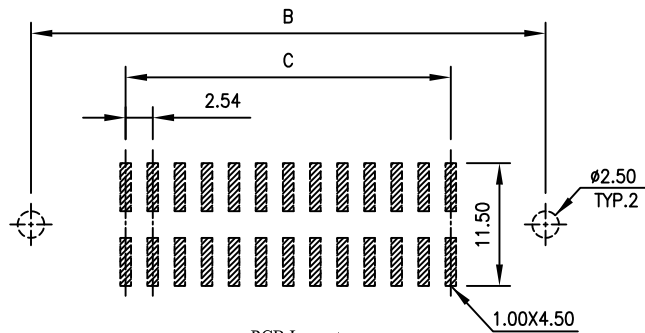
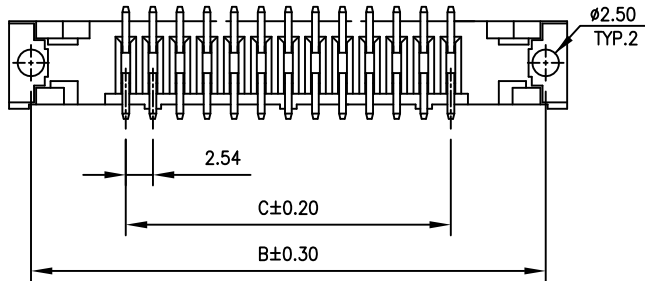
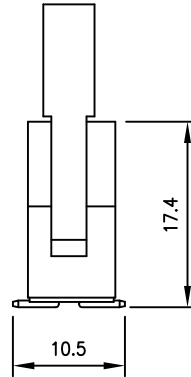
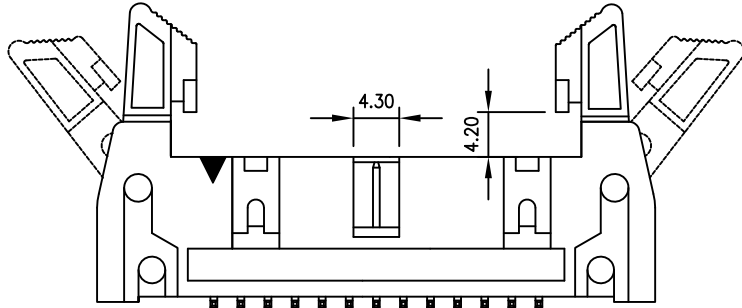
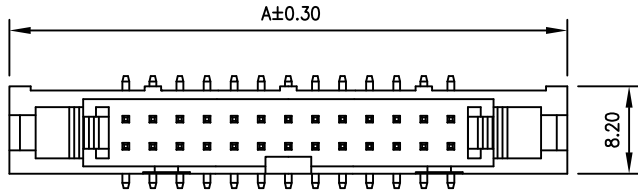
TOLERANCE	
X.	--
X.X	±0.30
X.XX	±0.20
X.XXX	±0.10
ANGULAR	--
APPROVALS	
DRAWN	Frank 30-OCTOBER-2008
CHECKED	Denise 30-OCTOBER-2008
APPROVED	Jessica 30-OCTOBER-2008

Young Yak Enterprise Co., Ltd.

TITLE: 2.54mm(.100") Pitch
 Eject Latch Header

VIEW	SCALE	PART NO.	REV.
	F	YY-4800-S**GL	A0
UNIT	SIZE	DWG NO.	SHEET
MM	A4	YY-4800-S**GL-048	1 OF 1





PCB Layout
(Top View)

REV	DESCRIPTION	DATE

NOTES

Available in 10 through 50 Circuits
 Material: Nylon 6T UL94-V0, Black
 Pin Material: SQ. 0.64mm Copper Alloy, Gold Plating

ORDERING INFORMATION

YY-4800 - S ** G S
 1 2 3 4

- S : SMT Type
- No. of Circuits 10~50
- Plated
G : Gold
- Type
S : Short Ear

Circuits	Dimension mm		
	A	B	C
2X5	32.00	27.94	10.16
2X7	37.08	33.02	15.24
2X8	39.62	35.56	17.78
2X10	44.70	40.64	22.86
2X13	52.32	48.26	30.48
2X17	62.48	58.42	40.64
2X20	70.10	66.04	48.26
2X25	82.80	78.74	60.96

Young Yak
 2009.03.31
 ISSUED

TOLERANCE	
X.	--
X.X	±0.30
X.XX	±0.20
X.XXX	±0.10
ANGULAR	--
APPROVALS	
DRAWN	Frank 31-MARCH-2009
CHECKED	Denise 31-MARCH-2009
APPROVED	Jessica 31-MARCH-2009



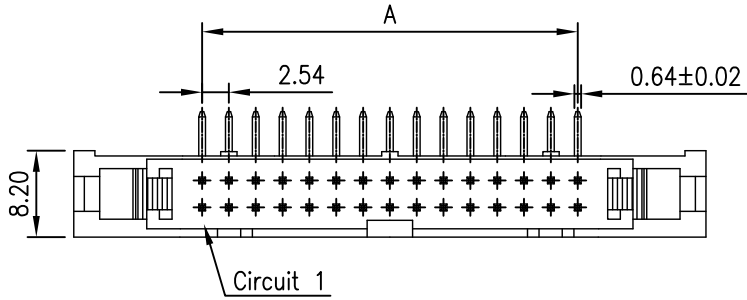
TITLE
 2.54mm(.100") Pitch
 Eject Latch Header

VIEW	SCALE	PART NO.	REV.
	F	YY-4800-S**GS	A0
UNIT	SIZE	DWG NO.	SHEET
MM	A4	YY-4800-S**GS-048	1 OF 1



A B C D E F

REV	DESCRIPTION	DATE



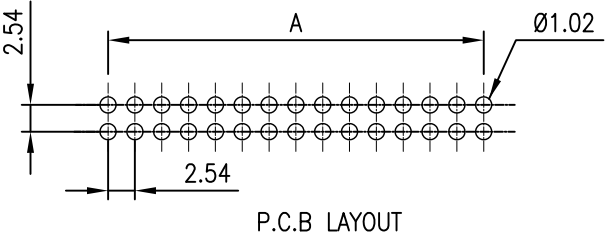
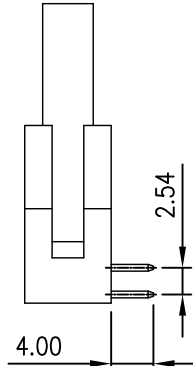
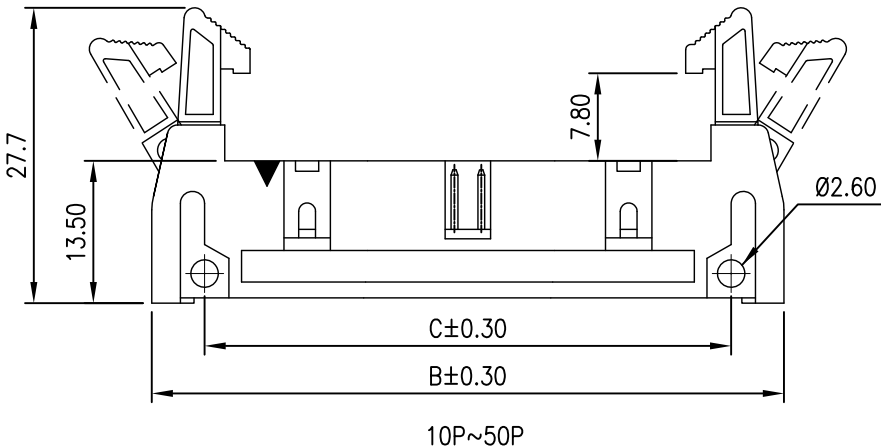
NOTES

Available in 10 through 64 Circuits
 Material: PBT UL94-V0
 Pin Material: Brass/Gold-Plated

ORDERING INFORMATION

YY-4800 - ** R G L
1 2 3 4

- No. of Circuits 10~64
- R : Right Angle
- Plated
 G : Gold
- Type
 L : Long Ear



Circuits	Dimension mm			Circuits	Dimension mm		
	A	B	C		A	B	C
2X5	10.16	32.00	21.84	2X15	35.56	57.40	47.24
2X7	15.24	37.08	26.92	2X17	40.64	62.48	52.32
2X8	17.78	39.62	29.46	2X20	48.26	70.10	59.94
2X10	22.86	44.70	34.54	2X25	60.96	82.80	72.64
2X12	27.94	49.78	39.62	2X30	73.66	95.50	85.34
2X13	30.48	52.32	42.16	2X32	78.74	100.58	90.42

TOLERANCE	
X.	--
X.X	±0.30
X.XX	±0.20
X.XXX	--
ANGULAR	--

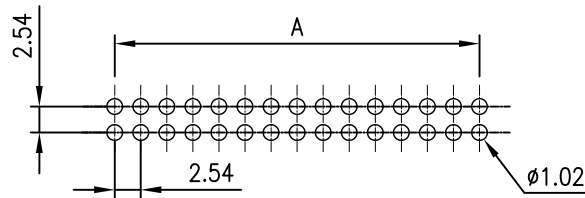
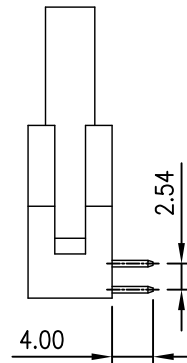
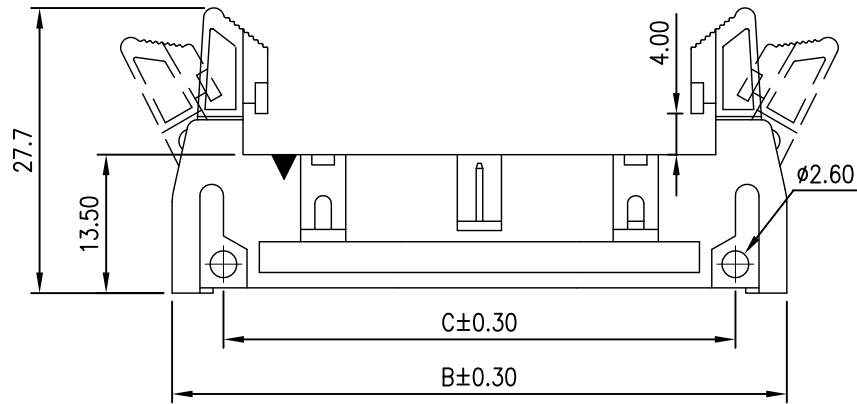
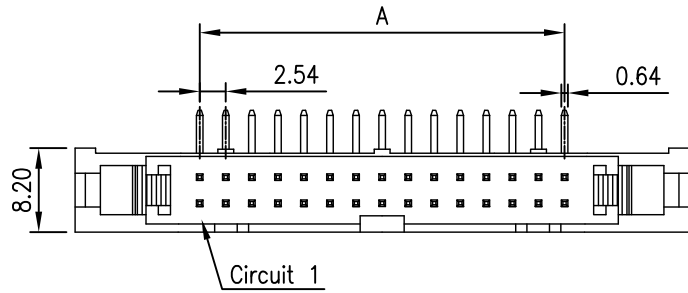


TITLE: 2.54mm(.100") Pitch
 Eject Latch Header

APPROVALS		VIEW	SCALE	PART NO.	REV.
DRAWN	Frank		F	YY-4800-**RGL	A0
CHECKED	Denise				
APPROVED	Jessica	UNIT	SIZE	DWG NO.	SHEET
		MM	A4	YY-4800-**RGL-048	1 OF 1



A B C D E F



P.C.B LAYOUT

Circuits	Dimension mm			Circuits	Dimension mm		
	A	B	C		A	B	C
2X5	10.16	32.00	21.84	2X15	35.56	57.40	47.24
2X7	15.24	37.08	26.92	2X17	40.64	62.48	52.32
2X8	17.78	39.62	29.46	2X20	48.26	70.10	59.94
2X10	22.86	44.70	34.54	2X25	60.96	82.80	72.64
2X12	27.94	49.78	39.62	2X30	73.66	95.50	85.34
2X13	30.48	52.32	42.16	2X32	78.74	100.58	90.42

REV	DESCRIPTION	DATE

NOTES

Available in 10 through 64 Circuits
 Material: PBT + 15% GF UL94-V0
 Pin Material: Brass/Gold-Plated

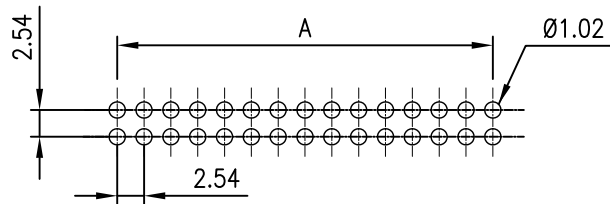
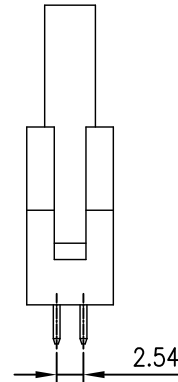
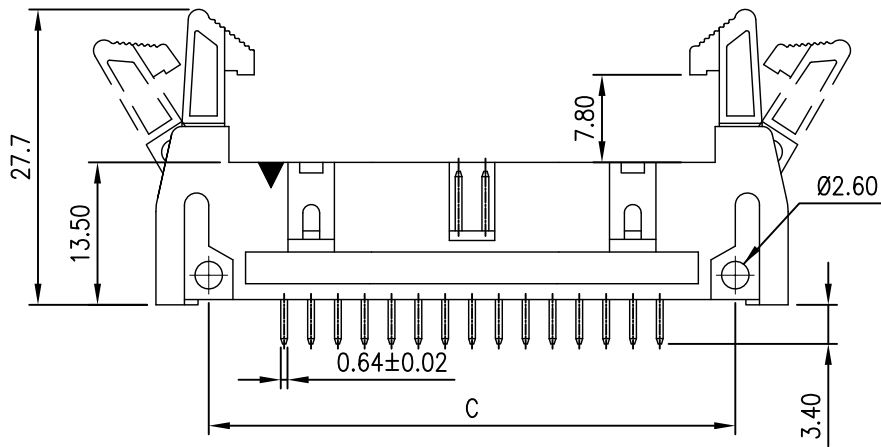
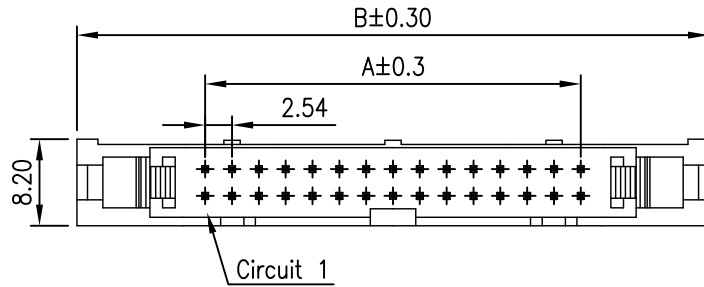
ORDERING INFORMATION

YY-4800 - ** R G S
1 2 3 4

- No. of Circuits 10~64
- R : Right Angle
- Plated
 G : Gold-Plated
- Type
 S : Short Ear



TOLERANCE					
X.	--	TITLE 2.54mm(.100") Pitch Eject Latch Header			
X.X	± 0.30				
X.XX	± 0.20				
X.XXX	--				
ANGULAR	--				
APPROVALS		APPROVALS DRAWN Frank 14-September-2009 CHECKED Denise 14-September-2009 APPROVED Jessica 14-September-2009			
VIEW	SCALE	PART NO.	REV.	UNIT SIZE DWG NO. SHEET	
	F	YY-4800-**RGS	A0	MM A4 YY-4800-**RGS-048 1 OF 1	



P.C.B LAYOUT

Circuits	Dimension mm			Circuits	Dimension mm		
	A	B	C		A	B	C
2X5	10.16	32.00	21.84	2X15	35.56	57.40	47.24
2X7	15.24	37.08	26.92	2X17	40.64	62.48	52.32
2X8	17.78	39.62	29.46	2X20	48.26	70.10	59.94
2X10	22.86	44.70	34.54	2X25	60.96	82.80	72.64
2X12	27.94	49.78	39.62	2X30	73.66	95.50	85.34
2X13	30.48	52.32	42.16	2X32	78.74	100.58	90.42

REV	DESCRIPTION	DATE

NOTES

Available in 10 through 64 Circuits
 Material: PBT UL94-V0
 Pin Material: Brass/Gold-Plated

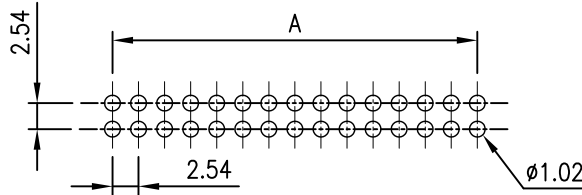
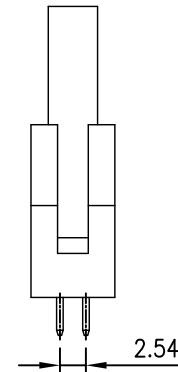
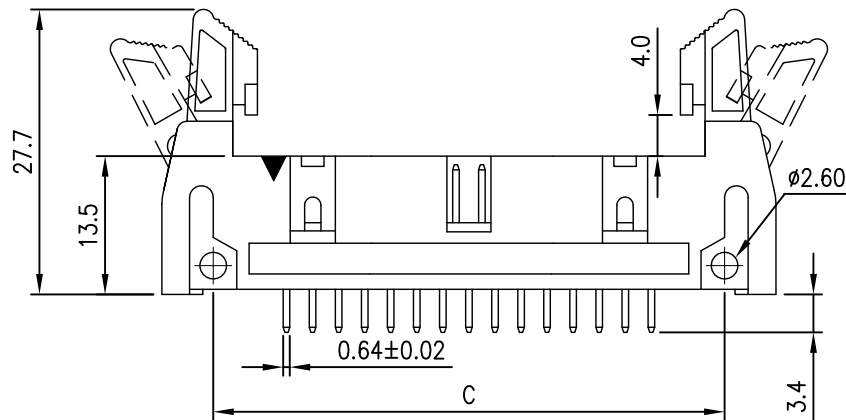
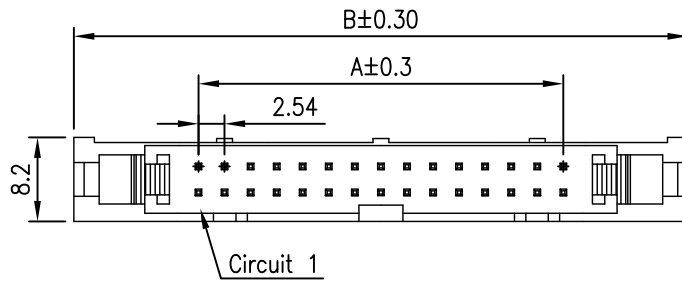
ORDERING INFORMATION

YY-4800 - ** S G L
 1 2 3 4

- No. of Circuits 10~64
- S : Straight
- Plated
 G : Gold
- Type
 L : Long Ear

TOLERANCE				
X.	--	Young Yak Enterprise Co., Ltd. TITLE 2.54mm(.100") Pitch Eject Latch Header		
X.X	±0.30			
X.XX	±0.20			
X.XXX	--			
ANGULAR	--			
APPROVALS				
DRAWN	Frank 19-September-2009	VIEW	SCALE	PART NO.
CHECKED	Denise 19-September-2009		F	YY-4800-**SGL
APPROVED	Jessica 19-September-2009	UNIT	SIZE	DWG NO.
		MM	A4	YY-4800-**SGL-048
				REV.
				A0
				SHEET
				1 OF 1





P.C.B LAYOUT

Circuits	Dimension mm			Circuits	Dimension mm		
	A	B	C		A	B	C
2X5	10.16	32.00	21.84	2X15	35.56	57.40	47.24
2X7	15.24	37.08	26.92	2X17	40.64	62.48	52.32
2X8	17.78	39.62	29.46	2X20	48.26	70.10	59.94
2X10	22.86	44.70	34.54	2X25	60.96	82.80	72.64
2X12	27.94	49.78	39.62	2X30	73.66	95.50	85.34
2X13	30.48	52.32	42.16	2X32	78.74	100.58	90.42

REV	DESCRIPTION	DATE

NOTES

Available in 10 through 64 Circuits
 Material: PBT UL94-V0
 Pin Material: Brass/Gold-Plated

ORDERING INFORMATION

YY-4800 - ** S G S
1 2 3 4

- No. of Circuits 10~64
- S : Straight
- Plated
 G : Gold-Plated
- Type
 S : Short Ear



TOLERANCE					
X.	--	TITLE 2.54mm(.100") Pitch Eject Latch Header			
X.X	±0.30				
X.XX	±0.20				
X.XXX	--				
ANGULAR	--				
APPROVALS					
DRAWN	Frank	VIEW	SCALE	PART NO.	REV.
	14-September-2009		F	YY-4800-**SGS	A0
CHECKED	Denise	UNIT	SIZE	DWG NO.	SHEET
	14-September-2009	MM	A4	YY-4800-**SGS-048	1 OF 1
APPROVED	Jessica				
	14-September-2009				