



C **RY** US E182481

| REV | DESCRIPTION | DATE |
|-----|-------------|------------|
| A1 | EN010327-1 | 2012.03.27 |

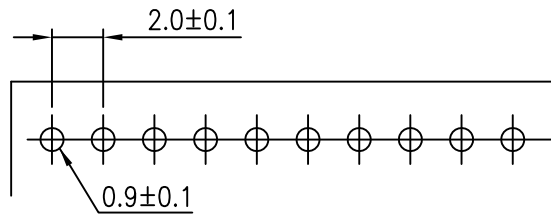
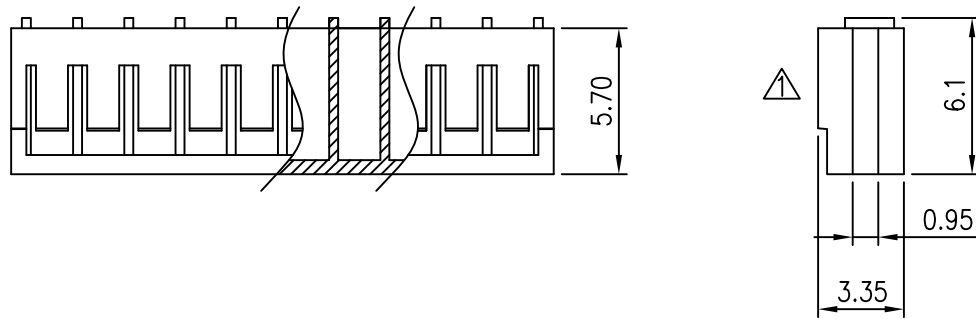
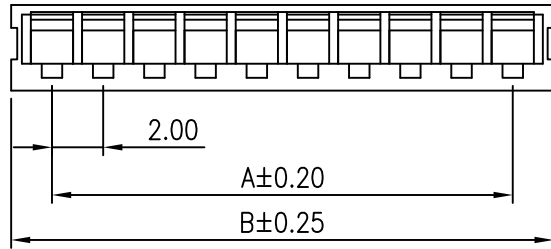
NOTES

Available in 02 through 16 Circuits
 Material: Nylon 66 UL94V-0
 Accepts YY-1000B-T Crimp Terminal
 Color: Nature

ORDERING INFORMATION

YY-1000B - H **
 1 2

1. H : Housing
2. No. of Circuits 02~16



P.C.B LAYOUT

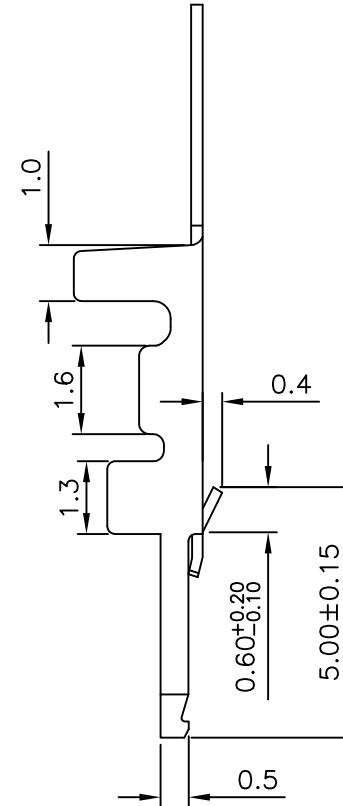
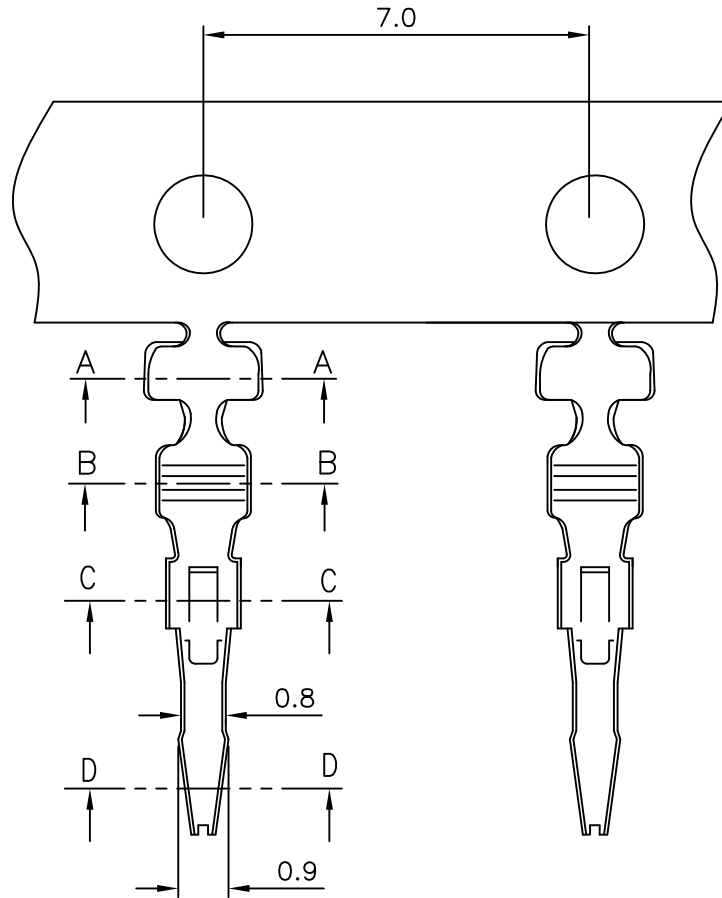
| Circuits | Dimension mm | | Circuits | Dimension mm | |
|----------|--------------|-------|----------|--------------|-------|
| | A | B | | A | B |
| 2 | 2.0 | 5.20 | 10 | 18.0 | 21.20 |
| 3 | 4.0 | 7.20 | 11 | 20.0 | 23.20 |
| 4 | 6.0 | 9.20 | 12 | 22.0 | 25.20 |
| 5 | 8.0 | 11.20 | 13 | 24.0 | 27.20 |
| 6 | 10.0 | 13.20 | 14 | 26.0 | 29.20 |
| 7 | 12.0 | 15.20 | 15 | 28.0 | 31.20 |
| 8 | 14.0 | 17.20 | 16 | 30.0 | 33.20 |
| 9 | 16.0 | 19.20 | -- | -- | -- |

| | | | | |
|--|--|--|--|--|
| TOLERANCE X. -- X.X ±0.25 X.XX ±0.15 X.XXX ±0.05 ANGULAR -- | | Young Yak Enterprise Co., Ltd. TITLE 2.0mm(.079") Pitch Board to Board Housing | | |
| APPROVALS DRAWN Frank 27-March-2012 CHECKED Denise 27-March-2012 APPROVED Jessica 27-March-2012 | | | | |
| | | UNIT MM SIZE A4 | DWG NO. YY-1000B-H**-014 SHEET 1 OF 1 | |



C **YI** US E182481

| REV | DESCRIPTION | DATE |
|-----|-------------|------|
| | | |



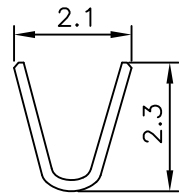
NOTES

Used in YY-1000B-H Series Housing
 Accepts AWG #24~30 Wire Range
 Insulation O.D.= 1.40mm(max)
 Material : Brass
 Finish : Tin-Plated
 Qty/Reel : 10,000 PCS
 Thickness: 0.2mm

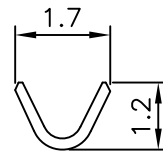
ORDERING INFORMATION

YY-1000A- T TB
1 2

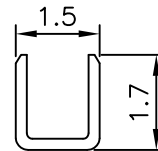
- 1. T : Terminal
- 2. TB : Tin-Plated



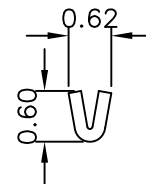
A-A



B-B



C-C



D-D



| TOLERANCE | | | | | |
|-----------|-------------|---|-------|------------------|---------|
| X. | -- | TITLE 2.0mm (.079") Pitch Crimp Terminal | | | |
| X.X | ±0.25 | | | | |
| X.XX | ±0.10 | | | | |
| X.XXX | ±0.05 | | | | |
| ANGULAR | -- | | | | |
| APPROVALS | | VIEW | SCALE | PART NO. | REV. |
| DRAWN | Kang | | F | YY-1000B-TTB | AO |
| CHECKED | Denise | | UNIT | SIZE | DWG NO. |
| APPROVED | Jessica | MM | A4 | YY-1000B-TTB-014 | 1 OF 1 |
| | 09-MAY-2014 | | | | |
| | 09-MAY-2014 | | | | |
| | 09-MAY-2014 | | | | |