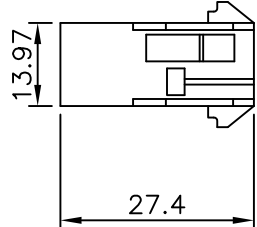
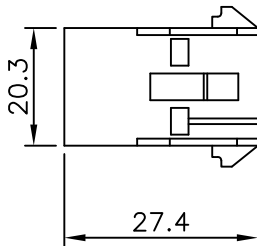
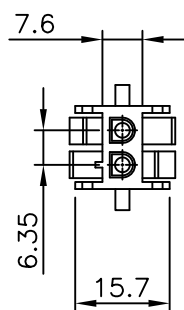




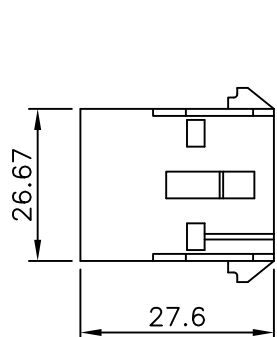
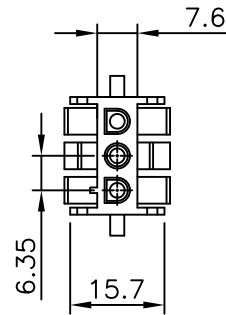
C **RI** US E182481



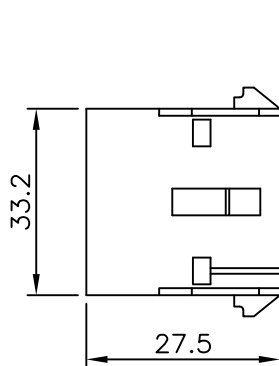
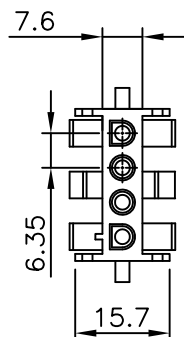
YY-4000-H02FS-\*



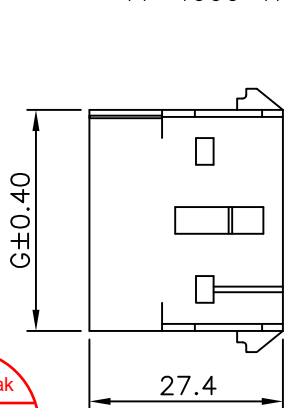
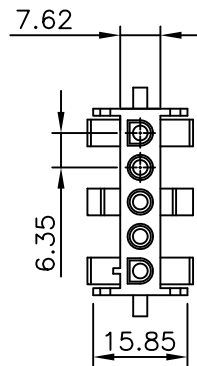
YY-4000-H03FS-\*



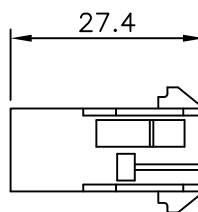
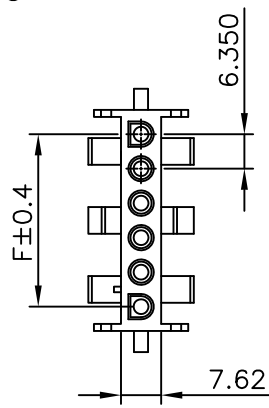
YY-4000-H04FS-\*



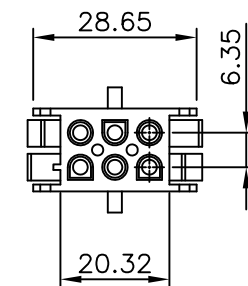
YY-4000-H05FS-\*



YY-4000-H06FS-  
YY-4000-H07FS-\*



YY-4000-H06F1-\*



REV	DESCRIPTION	DATE
A5	EN010103-1	2012.01.03
A6	EN010918-1	2012.09.18

**NOTES**

Available in 2 through 15 Circuits  
 Body: Nylon 66 UL94-V0 or UL94-V2  
 Accepts YY-4000-TF , YY-4000-TM , YY-4000-TM\*\*\*Z  
 Crimp Terminal  
 Mates with YY-4000-H\*\*M\* series Housing

**SPECIFICATION**

Voltage rating: 600V AC/DC  
 Current rating: 13A Max. (2~4 Circuits)  
 Current rating: 11A Max. (5~15 Circuits)  
 Insulation Resistance: 1000MΩ Min.  
 Dielectric Withstanding Voltage: 5000V AC/minute  
 Operation temperature: -40°C to +105°C

**ORDERING INFORMATION**

YY - 4000 - H \*\* F \* - \*  
           1 2 3 4 5

- H : Housing
- No. of Circuits 02 ~ 15
- F : Female
- 1 : Dual Row  
S : Single Row
- Material: □ : Nylon66 UL94-V2  
Q : Nylon66 UL94-V0

TOLERANCE	
X.	--
X.X	±0.40
X.XX	±0.25
X.XXX	±0.08
ANGULAR	--
APPROVALS	
DRAWN	Frank
18-September-2012	
CHECKED	Kang
18-September-2012	
APPROVED	Denise
18-September-2012	

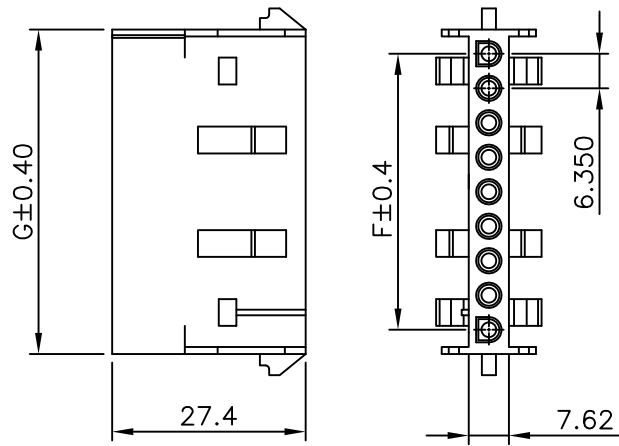


**Young Yak Enterprise Co., Ltd.**

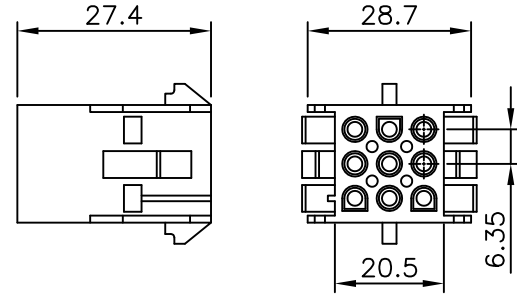
TITLE  
6.35mm(.250") Pitch Female Housing

VIEW	SCALE	PART NO.	REV.
	F	YY-4000-H**F*-*	A6
UNIT	SIZE	DWG NO.	SHEET
MM	A4	YY-4000-H**F*-*--085	1 OF 3

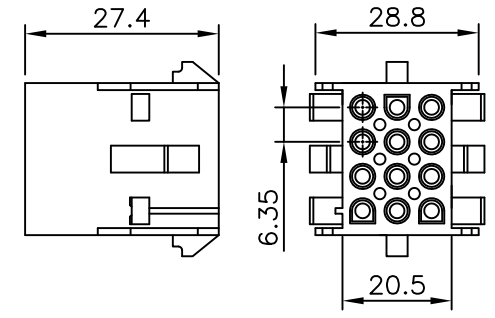




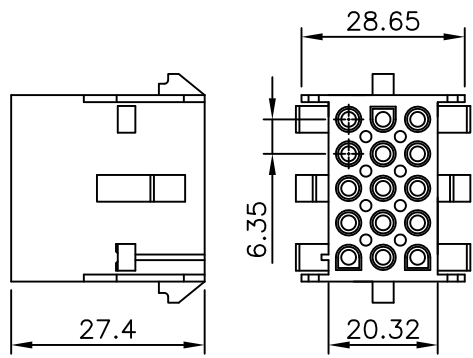
YY-4000-H08FS-\*  
 YY-4000-H09FS-\*  
 YY-4000-H10FS-\*



YY-4000-H09F1-\*



YY-4000-H12F1-\*



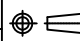
YY-4000-H15F1-\*

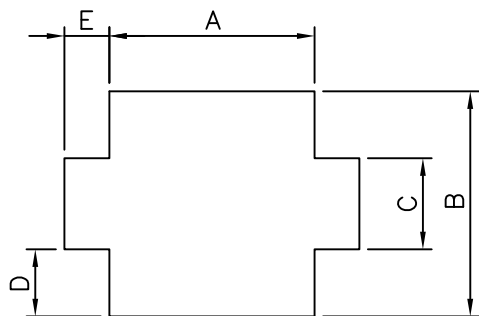
PART NO.	DIMENSIONS	
	F	G
YY-4000-H06FS-*	31.75	39.37
YY-4000-H07FS-*	38.10	45.72
YY-4000-H08FS-*	44.45	52.07
YY-4000-H09FS-*	50.80	58.42
YY-4000-H10FS-*	57.15	64.77

TOLERANCE	
X.	--
X.X	±0.40
X.XX	±0.25
X.XXX	±0.08
ANGULAR	--
APPROVALS	
DRAWN	Frank
	18-September-2012
CHECKED	Kang
	18-September-2012
APPROVED	Denise
	18-September-2012

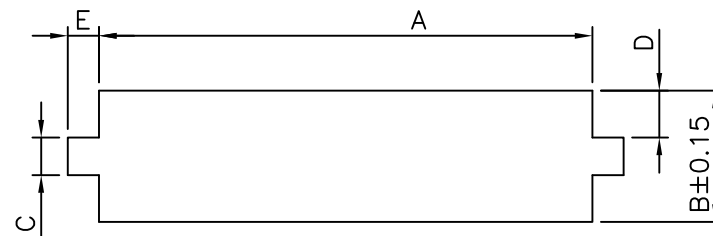
 **Young Yak Enterprise Co., Ltd.**

TITLE  
 6.35mm(.250") Pitch Female Housing

VIEW	SCALE	PART NO.	REV.
	F	YY-4000-H**F*-*	A6
UNIT	SIZE	DWG NO.	SHEET
MM	A4	YY-4000-H**F*-*--085	2 OF 3



RECOMMENDED PANEL CUTOUT



RECOMMENDED PANEL CUTOUT

PART NO.	DIMENSIONS				
	A±0.127	B±0.127	C±0.254	D±0.254	E±0.25
YY-4000-H02FS-*	14.35	13.46	8.64	2.41	4.45
YY-4000-H03FS-*	20.7	13.46	8.64	2.41	4.45
YY-4000-H04FS-*	27.05	13.46	8.64	2.41	4.45
YY-4000-H05FS-*	33.40	13.46	8.64	2.41	4.45
YY-4000-H06F1-*	14.35	26.16	12.19	6.99	4.45
YY-4000-H09F1-*	20.70	26.16	12.19	6.99	4.45
YY-4000-H12F1-*	27.05	26.16	12.19	6.99	4.45
YY-4000-H15F1-*	33.40	26.16	12.19	6.99	4.45

PART NO.	DIMENSIONS				
	A	B	C	D	E
YY-4000-H06FS-*	39.80	13.50	3.90	4.80	3.20
YY-4000-H07FS-*	46.15				
YY-4000-H08FS-*	52.50				
YY-4000-H09FS-*	58.85				
YY-4000-H10FS-*	65.20				

TOLERANCE	
X.	--
X.X	±0.40
X.XX	±0.25
X.XXX	±0.08
ANGULAR	--



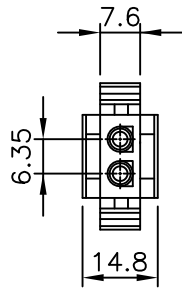
**Young Yak Enterprise Co., Ltd.**

TITLE  
6.35mm(.250") Pitch Female Housing

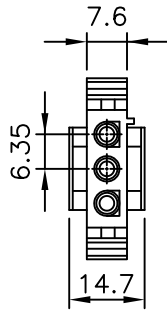
APPROVALS		VIEW	SCALE	PART NO.	REV.
DRAWN	Frank		F	YY-4000-H**F-*	A6
CHECKED	Kang				
APPROVED	Denise	UNIT	SIZE	DWG NO.	SHEET
	18-September-2012	MM	A4	YY-4000-H**F-*--085	3 OF 3



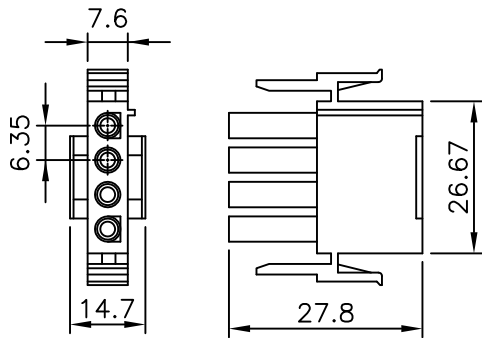
C **UL** US E182481



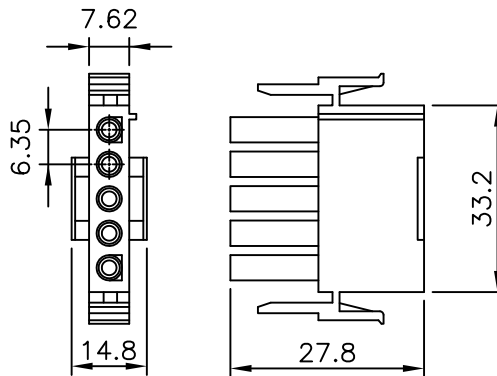
YY-4000-H02MS-\*



YY-4000-H03MS-\*



YY-4000-H04MS-\*



YY-4000-H05MS-\*

REV	DESCRIPTION	DATE
A5	EN010103-1	2012.01.03
A6	EN010918-1	2012.09.18

**NOTES**

Available in 2 through 15 Circuits  
 Body: Nylon 66 UL94-V0 or UL94-V2  
 Accepts YY-4000-TF , YY-4000-TM , YY-4000-TM\*\*\*Z  
 Crimp Terminal  
 Mates with YY-4000-W\*\*F\*ST , YY-4000-W\*\*F\*RT  
 YY-4000-W\*\*M\*ST , YY-4000-W\*\*M\*RT  
 Series Header  
 Mates with YY-4000-H\*\*F\* series Housing

**SPECIFICATION**

Voltage rating: 600V AC/DC  
 Current rating: 13A Max. (2~4 Circuits)  
 Current rating: 11A Max. (5~15 Circuits)  
 Insulation Resistance: 1000MΩ Min.  
 Dielectric Withstanding Voltage: 5000V AC/minute  
 Operation temperature: -40°C to +105°C

**ORDERING INFORMATION**

YY - 4000 - H \*\* M \* - \*  
 1 2 3 4 5

- 1 : Housing
- 2 : No. of Circuits 02 ~ 15
- 3 : M : Male
- 4 : 1 : Dual Row  
S : Single Row
- 5 : Material  
□ : Nylon66 UL94-V2  
Q : Nylon66 UL94-V0

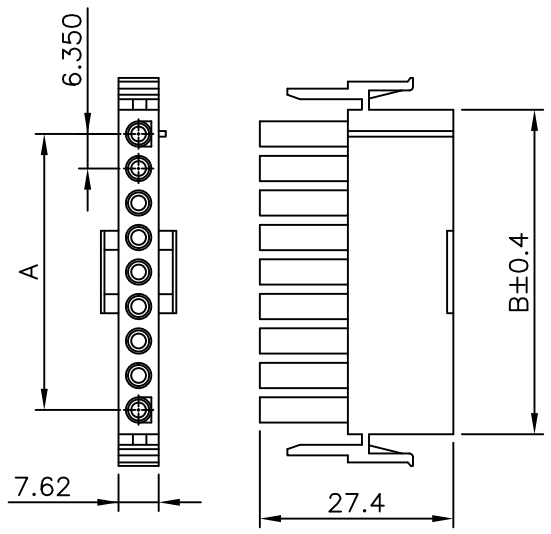
TOLERANCE	
X.	--
X.X	±0.40
X.XX	±0.25
X.XXX	±0.08
ANGULAR	--
APPROVALS	
DRAWN	Frank
18-September-2012	
CHECKED	Kang
18-September-2012	
APPROVED	Denise
18-September-2012	

**Young Yak Enterprise Co., Ltd.**

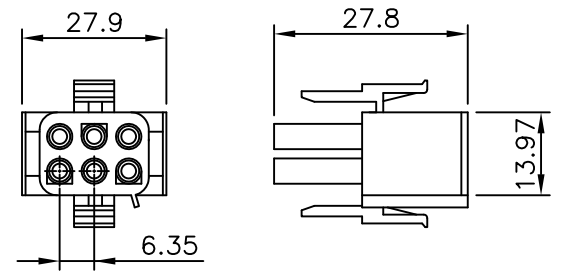
TITLE  
6.35mm(.250") Pitch Male Housing

VIEW	SCALE	PART NO.	REV.
	F	YY-4000-H**M**-*	A6
UNIT	SIZE	DWG NO.	SHEET
MM	A4	YY-4000-H**M**-*--085	1 OF 2

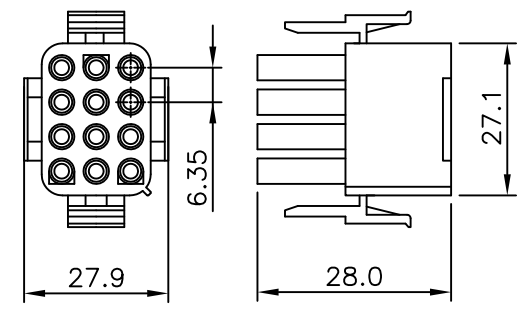




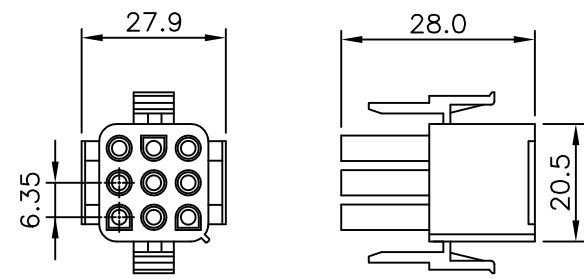
- YY-4000-H06MS-\*
- YY-4000-H07MS-\*
- YY-4000-H08MS-\*
- YY-4000-H09MS-\*
- YY-4000-H10MS-\*



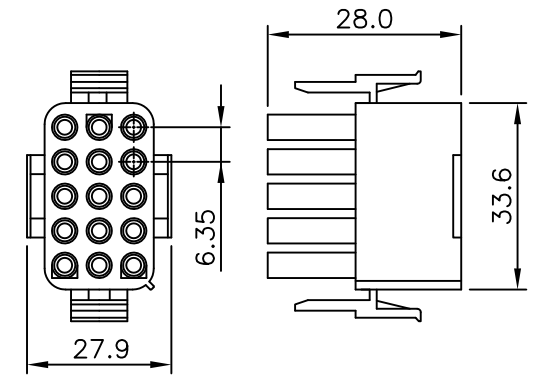
YY-4000-H06M1-\*



YY-4000-H12M1-\*


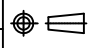


YY-4000-H09M1-\*



YY-4000-H15M1-\*

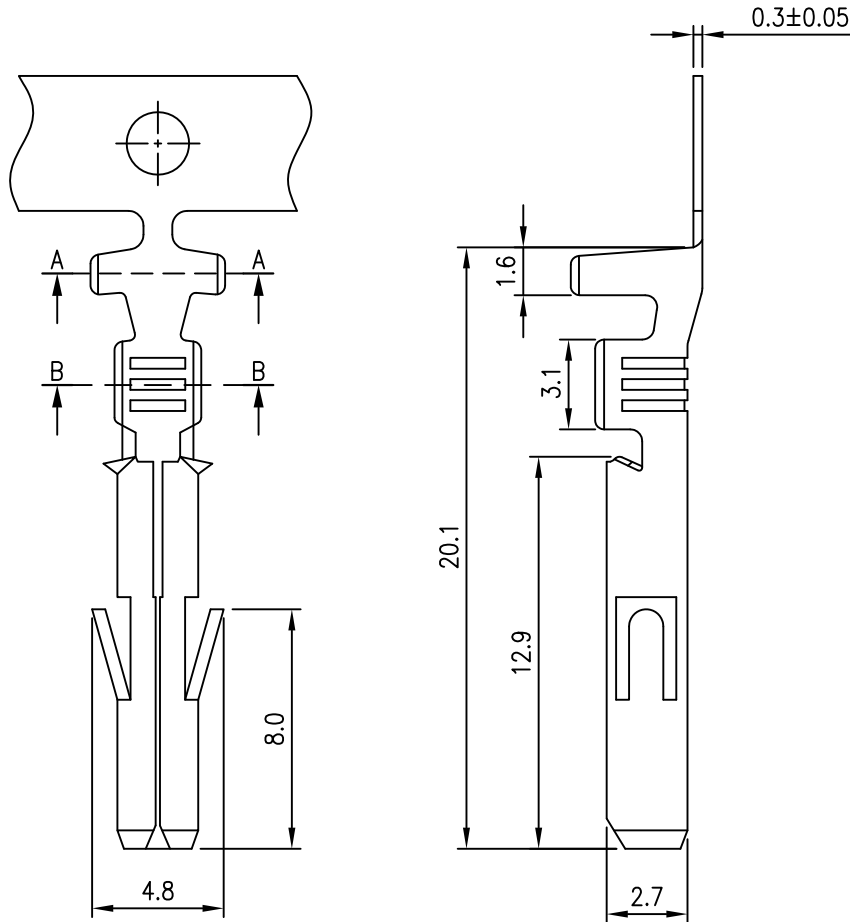
PART NO.	DIMENSIONS	
	A	B
YY-4000-H06MS-*	31.75	39.37
YY-4000-H07MS-*	38.10	45.72
YY-4000-H08MS-*	44.45	52.07
YY-4000-H09MS-*	50.80	58.42
YY-4000-H10MS-*	57.15	64.77

<b>TOLERANCE</b> X.        -- X.X      ±0.40 X.XX     ±0.25 X.XXX    ±0.08 ANGULAR   --		 <b>Young Yak Enterprise Co., Ltd.</b>  <b>TITLE</b> 6.35mm(.250") Pitch Male Housing			
<b>APPROVALS</b> DRAWN    Frank 18-September-2012 CHECKED   Kang 18-September-2012 APPROVED   Denise 18-September-2012				<b>VIEW</b> 	<b>SCALE</b> F
		<b>UNIT</b> MM	<b>SIZE</b> A4	<b>DWG NO.</b> YY-4000-H***M*-*-085	<b>SHEET</b> 2 OF 2



C **YI** US E182481

REV	DESCRIPTION	DATE
A1	EN010709-1	2012.07.09



### NOTES

Used in YY-4000-H Series Housing  
 Accepts AWG 12~14 Wire Range  
 Insulation O.D.= 3.50 mm(max)  
 Material : Brass  
 Finish : Tin , Pre-tinned  
 Qty/Reel : 2,500 PCS  
 Thickness: 0.30mm

### ORDERING INFORMATION

YY-4000 - T F TA L  
 1 2 3 4

1. T : Terminal
2. F : Female
3. TA : Tin , Pre-tinned
4. L : AWG 12~14



TOLERANCE	
X.	--
X.X	±0.25
X.XX	±0.15
X.XXX	±0.05
ANGULAR	--



**Young Yak Enterprise Co., Ltd.**

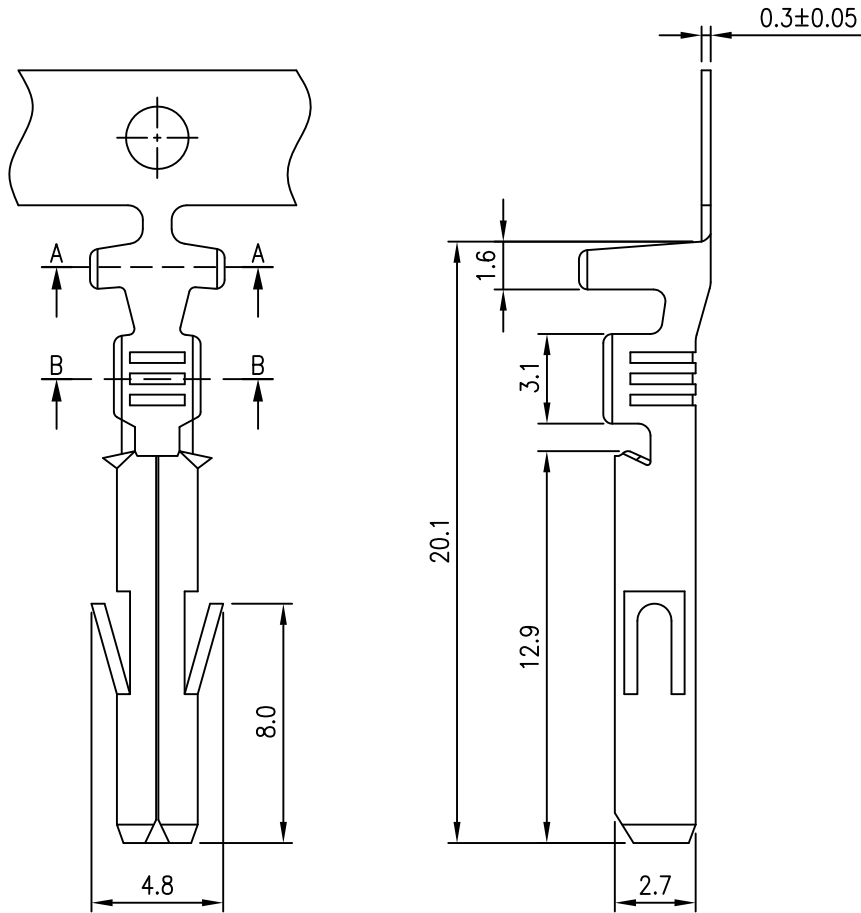
TITLE  
 6.35mm(.250") Pitch  
 Wire to Wire Terminal

APPROVALS		VIEW	SCALE	PART NO.	REV.
DRAWN	Frank		F	YY-4000-TFTAL	A1
CHECKED	Kang				
APPROVED	Denise	UNIT	SIZE	DWG NO.	SHEET
		MM	A4	YY-4000-TFTAL-085	1 OF 1



C **YI** US E182481

REV	DESCRIPTION	DATE
A1	EN010709-1	2012.07.09



**NOTES**

Used in YY-4000-H Series Housing  
 Accepts AWG 16~20 Wire Range  
 Insulation O.D.= 3.30 mm(max)  
 Material : Phosphor Bronze or Brass  
 Finish : Tin , Pre-tinned  
 Qty/Reel : 5,000 PCS  
 Thickness: 0.30mm

**ORDERING INFORMATION**

**YY-4000 - T F TA \* M**  
 1 2 3 4 5

1. T : Terminal
2. F : Female
3. TA : Tin , Pre-tinned
4. Material  
 : Brass  
 P : Phosphor Bronze
5. M : AWG 16~20



TOLERANCE	
X.	--
X.X	±0.25
X.XX	±0.15
X.XXX	±0.05
ANGULAR	--



**Young Yak Enterprise Co., Ltd.**

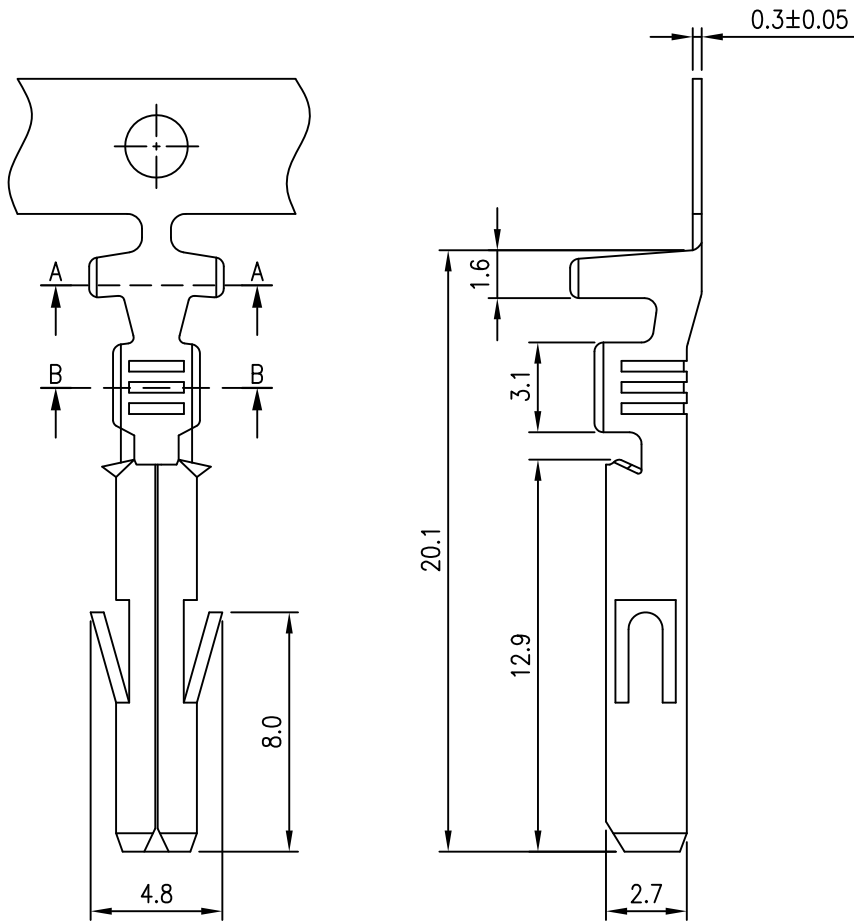
TITLE  
 6.35mm(.250") Pitch  
 Wire to Wire Terminal

APPROVALS		VIEW	SCALE	PART NO.	REV.
DRAWN	Frank		F	YY-4000-TFTA*M	A1
CHECKED	Kang				
APPROVED	Denise	UNIT	SIZE	DWG NO.	SHEET
		MM	A4	YY-4000-TFTA*M-085	1 OF 1



C US E182481

REV	DESCRIPTION	DATE
A1	EN010709-1	2012.07.09



### NOTES

Used in YY-4000-H Series Housing  
 Accepts AWG 18~22 Wire Range  
 Insulation O.D.= 2.5 mm(max)  
 Material : Phosphor Bronze or Brass  
 Finish : Tin , Pre-tinned  
 Qty/Reel : 5,000 PCS  
 Thickness: 0.30mm

### ORDERING INFORMATION

YY-4000 -  $\frac{T}{1} \frac{F}{2} \frac{TA}{3} \frac{*}{4} \frac{S}{5}$

1. T : Terminal
2. F : Female
3. TA : Tin , Pre-tinned
4. Material  
 : Brass  
 P : Phosphor Bronze
5. S : AWG 18~22



TOLERANCE	
X.	--
X.X	$\pm 0.25$
X.XX	$\pm 0.15$
X.XXX	$\pm 0.05$
ANGULAR	--
APPROVALS	
DRAWN	Frank 09-July-2012
CHECKED	Kang 09-July-2012
APPROVED	Denise 09-July-2012



**Young Yak Enterprise Co., Ltd.**

TITLE  
 6.35mm(.250") Pitch  
 Wire to Wire Terminal

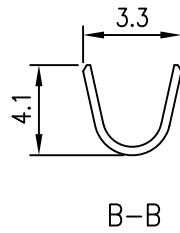
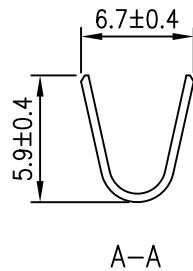
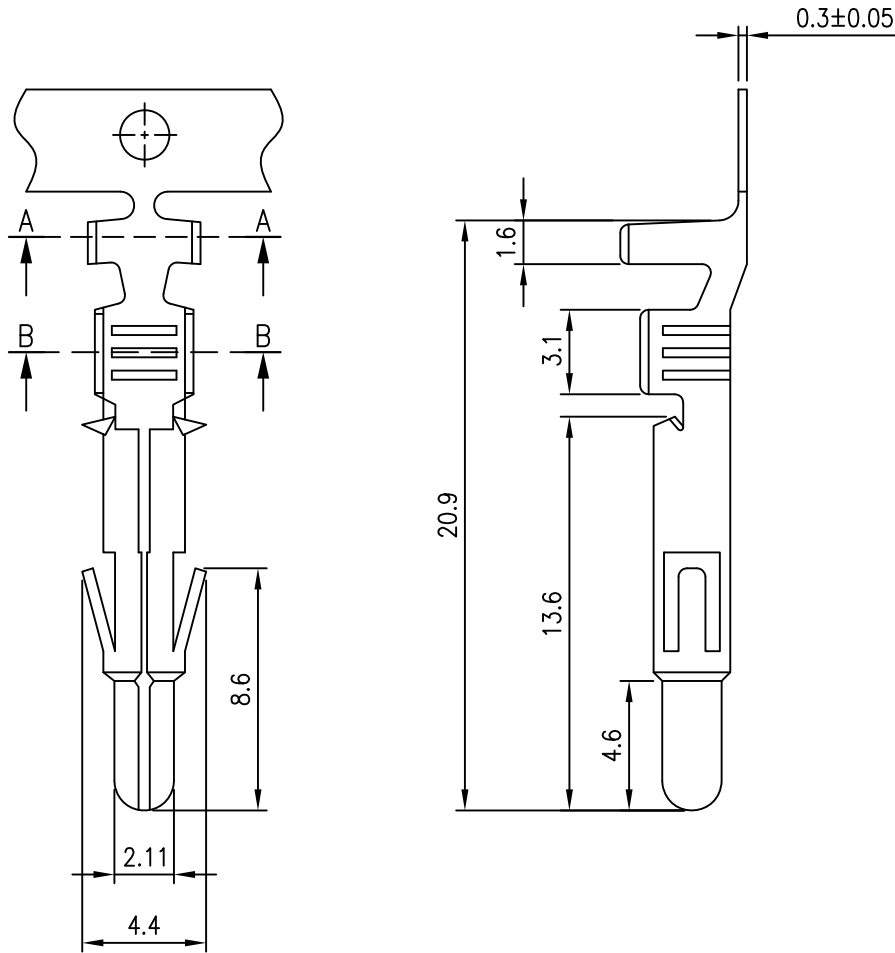
DRAWN	VIEW	SCALE	PART NO.	REV.
Frank 09-July-2012		F	YY-4000-TFTA*S	A1
CHECKED	UNIT	SIZE	DWG NO.	SHEET
Kang 09-July-2012	MM	A4	YY-4000-TFTA*S-085	1 OF 1





C **YI** US E182481

REV	DESCRIPTION	DATE
A1	EN000527-1	2011.05.27
A2	EN010709-1	2012.07.09



**NOTES**

Used in YY-4000-HF Series Housing  
 (1~5 Circuits)  
 Accepts AWG 12~14 Wire Range  
 Insulation O.D.= 3.50 mm(max)  
 Material : Brass  
 Finish : Tin , Pre-tinned  
 Qty/Reel : 2,500 PCS  
 Thickness: 0.30mm

**ORDERING INFORMATION**

**YY-4000 - T M T A L**  
 1 2 3 4

1. T : Terminal
2. M : Male
3. TA : Tin , Pre-tinned
4. L : AWG 12~14

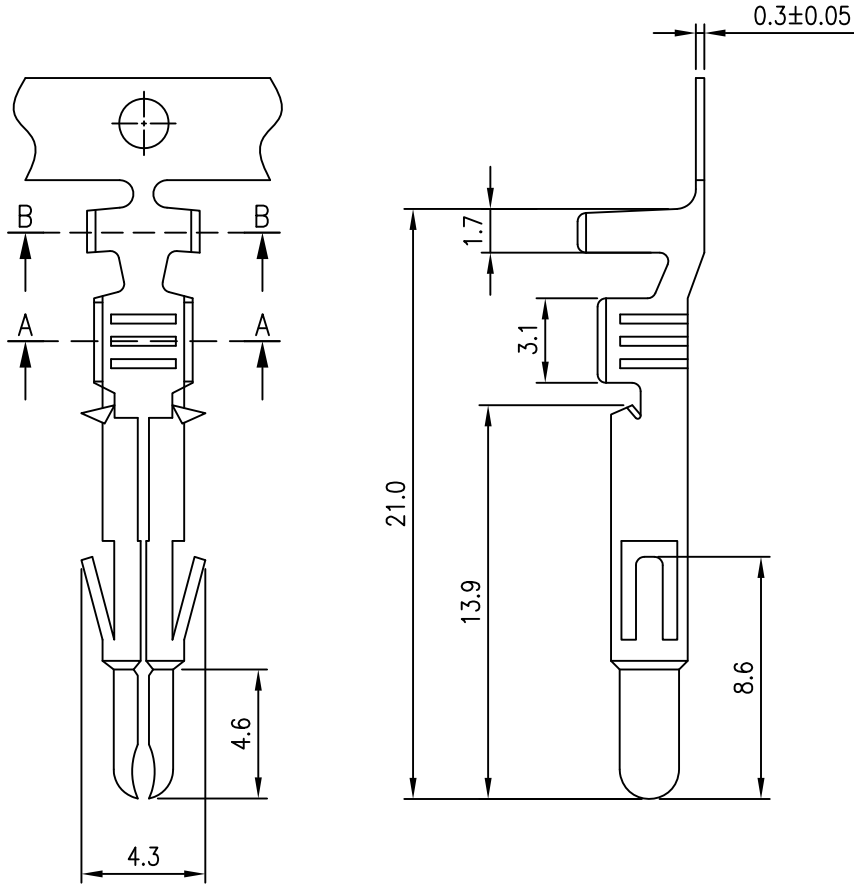


TOLERANCE		<b>Young Yak Enterprise Co., Ltd.</b>			
X.	--	TITLE 6.35mm(.250") Pitch Wire to Wire Terminal			
X.X	±0.25				
X.XX	±0.15				
X.XXX	±0.05				
ANGULAR	--				
APPROVALS					
DRAWN	Frank 09-July-2012	VIEW	SCALE	PART NO.	REV.
CHECKED	Kang 09-July-2012		F	YY-4000-TMTAL	A2
APPROVED	Denise 09-July-2012	UNIT	SIZE	DWG NO.	SHEET
		MM	A4	YY-4000-TMTAL-085	1 OF 1



C **UL** US E182481

REV	DESCRIPTION	DATE



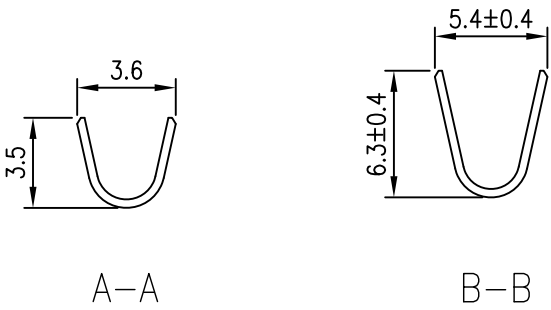
**NOTES**

Used in YY-4000-H Series Housing  
(6~15 Circuits)  
Accepts AWG 12~14 Wire Range  
Insulation O.D.= 3.50 mm(max)  
Material : Brass  
Finish : Tin , Pre-tinned  
Qty/Reel : 2,500 PCS  
Thickness: 0.30mm

**ORDERING INFORMATION**

**YY-4000 - T M TA L Z**  
**1 2 3 4 5**

1. T : Terminal
2. M : Male
3. TA : Tin , Pre-tinned
4. L : AWG 12~14
5. Z : Split Pin



TOLERANCE		<b>Young Yak Enterprise Co., Ltd.</b>			
X.	--	TITLE 6.35mm(.250") Pitch Wire to Wire Terminal			
X.X	±0.25				
X.XX	±0.15				
X.XXX	±0.05				
ANGULAR	--				
APPROVALS					
DRAWN	Kang 13-May-2014	VIEW	SCALE	PART NO.	REV.
CHECKED	Denise 13-May-2014		F	YY-4000-TMTALZ	A0
APPROVED	Jessica 13-May-2014	UNIT	SIZE	DWG NO.	SHEET
		MM	A4	YY-4000-TMTALZ-085	1 OF 1

YOUNG YAK  
2014.05.13  
ISSUED



C **YI** US E182481

REV	DESCRIPTION	DATE
A1	EN010709-1	2012.07.09
A2	EN201407100001	2014.07.10

### NOTES

Used in YY-4000-H Series Housing  
(1~5 Circuits)

Accepts AWG 16~20 Wire Range  
Insulation O.D.= 3.30 mm(max)

Material : Brass

Finish : Tin , Pre-tinned

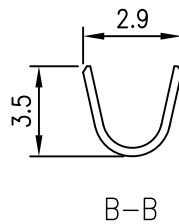
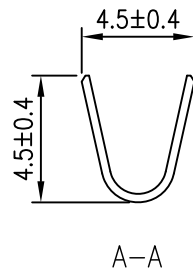
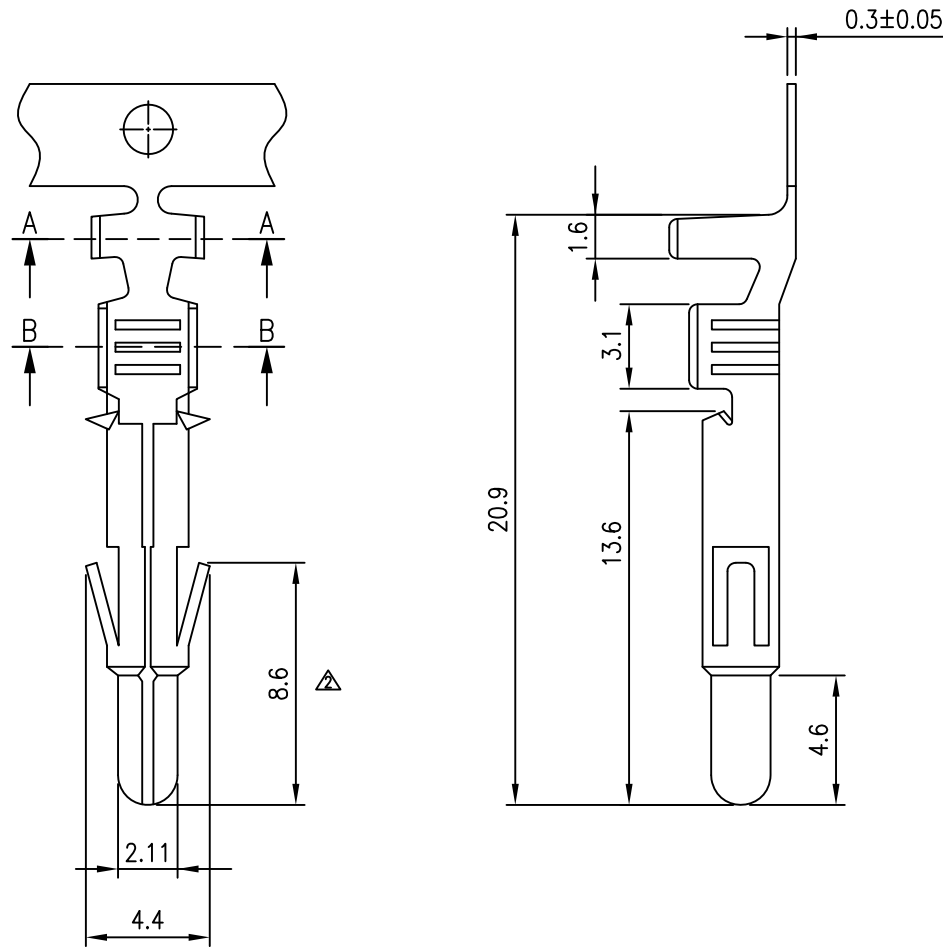
Qty/Reel : 5,000 PCS

Thickness: 0.30mm

### ORDERING INFORMATION

YY-4000 - T M TA M  
                  1 2 3 4

1. T : Terminal
2. M : Male
3. TA : Tin , Pre-tinned
4. M : AWG 16~20



TOLERANCE	
X.	--
X.X	±0.25
X.XX	±0.15
X.XXX	±0.05
ANGULAR	--
APPROVALS	
DRAWN	Kang 10-July-2014
CHECKED	Denise 10-July-2014
APPROVED	Jessica 10-July-2014



**Young Yak Enterprise Co., Ltd.**

TITLE  
6.35mm(.250") Pitch  
Wire to Wire Terminal

VIEW	SCALE	PART NO.	REV.
	F	YY-4000-TMTAM	A2
UNIT	SIZE	DWG NO.	SHEET
MM	A4	YY-4000-TMTAM-085	1 OF 1





C US E182481

REV	DESCRIPTION	DATE
A1	EN010709-1	2012.07.09

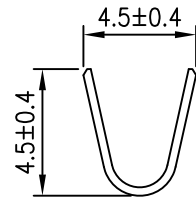
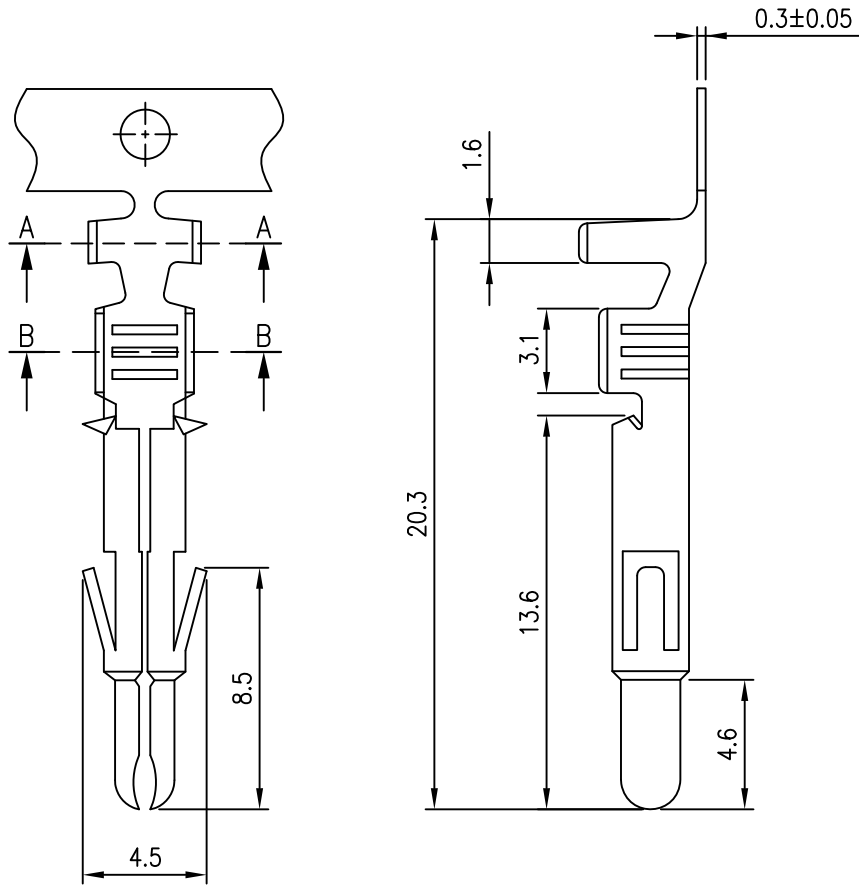
**NOTES**

Used in YY-4000-H Series Housing  
 (6~15 Circuits)  
 Accepts AWG 16~20 Wire Range  
 Insulation O.D.= 3.30 mm(max)  
 Material : Brass  
 Finish : Tin-Plated  
 Qty/Reel : 5,000 PCS  
 Thickness: 0.30mm

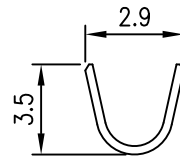
**ORDERING INFORMATION**

YY-4000 - T M TA M Z  
 1 2 3 4 5

- 1. T : Terminal
- 2. M : Male Type
- 3. TA : Tin , Pre-tinned
- 4. M : AWG 16~20
- 5. Z : Split Pin



A-A



B-B

TOLERANCE	
X.	--
X.X	±0.25
X.XX	±0.15
X.XXX	±0.05
ANGULAR	--
APPROVALS	
DRAWN	Frank 09-July-2012
CHECKED	Kang 09-July-2012
APPROVED	Denise 09-July-2012



**Young Yak Enterprise Co., Ltd.**

TITLE  
 6.35mm(.250") Pitch  
 Wire to Wire Terminal

VIEW	SCALE	PART NO.	REV.
	F	YY-4000-TMTAMZ	A1
UNIT	SIZE	DWG NO.	SHEET
MM	A4	YY-4000-TMTAMZ-085	1 OF 1





C **YI** US E182481

REV	DESCRIPTION	DATE
A1	EN010709-1	2012.07.09

**NOTES**

Used in YY-4000-H Series Housing  
(1~5 Circuits)

Accepts AWG 18~22 Wire Range  
Insulation O.D.= 2.5 mm(max)

Material : Brass

Finish : Tin , Pre-tinned

Qty/Reel : 5,000 PCS

Thickness: 0.30mm

**ORDERING INFORMATION**

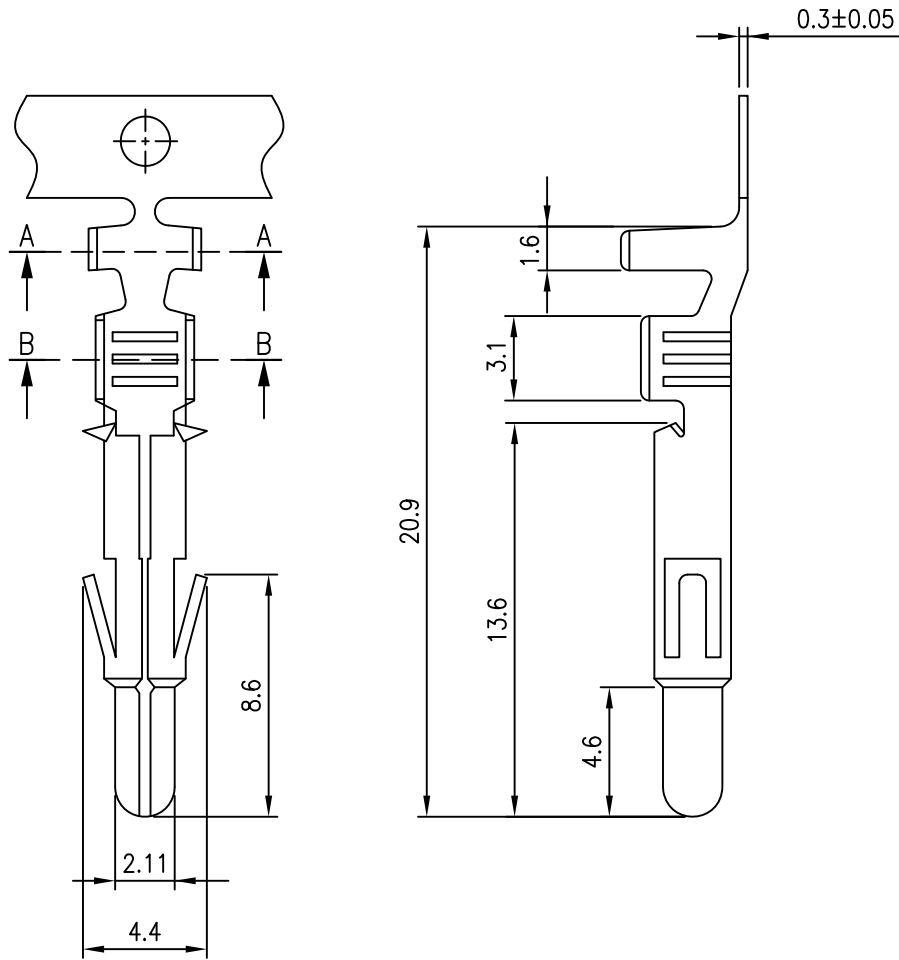
**YY-4000 - T M TA S**  
                  1 2 3 4

1. T : Terminal

2. M : Male

3. TA : Tin , Pre-tinned

4. S : AWG 18~22



TOLERANCE	
X.	--
X.X	$\pm 0.25$
X.XX	$\pm 0.15$
X.XXX	$\pm 0.05$
ANGULAR	--



**Young Yak Enterprise Co., Ltd.**

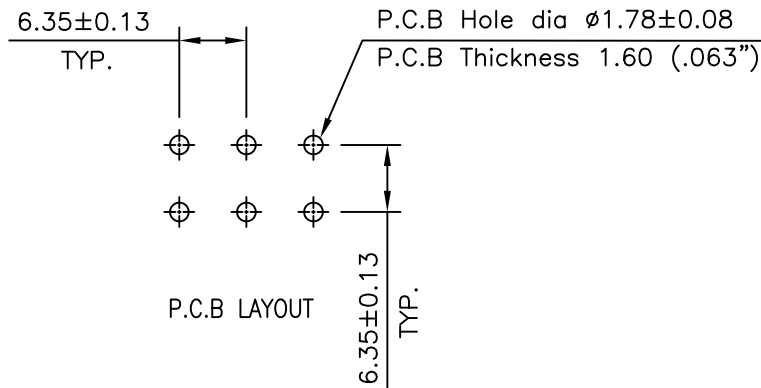
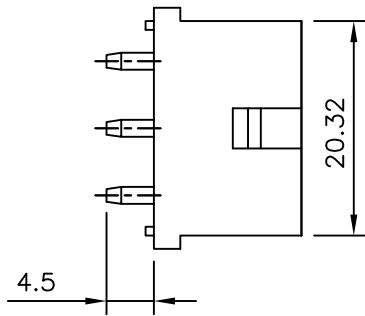
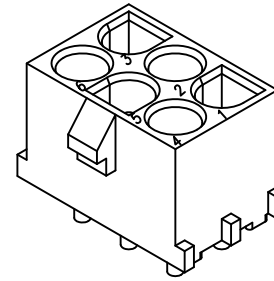
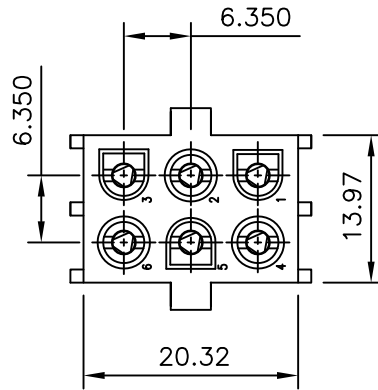
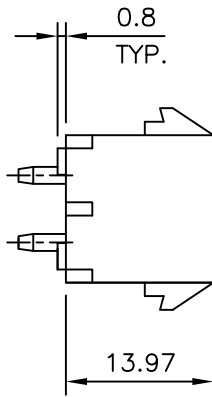
TITLE  
6.35mm(.250") Pitch  
Wire to Wire Terminal

APPROVALS		VIEW	SCALE	PART NO.	REV.
DRAWN	Frank		F	YY-4000-TMTAS	A1
CHECKED	Kang				
APPROVED	Denise	UNIT	SIZE	DWG NO.	SHEET
		MM	A4	YY-4000-TMTAS-085	1 OF 1





C **Y** US E182481



REV	DESCRIPTION	DATE
A3	EN001107-1	2011.11.08
A4	EN010918-1	2012.09.18

### NOTES

Available in 06 Circuits  
 Material: Nylon 66 UL94-V2 or UL94-V0  
 Contact Material: Phosphor bronze  
 Contact Plated: Tin-plated

### SPECIFICATION

Voltage rating: 600V AC/DC  
 Current rating: 11A  
 Insulation Resistance: 1000MΩ Min.  
 Dielectric Withstanding Voltage: 2900V AC/minute  
 Operation temperature: -40°C to +105°C

### ORDERING INFORMATION

**YY-4000 - W 06 F S T - \*\***  
                           1 2 3 4 5

- No. of Circuits 06
- F : Female Type
- S : Straight
- T : Tin
- : Nylon 66 UL94-V2  
 V0 : Nylon 66 UL94-V0



TOLERANCE	
X.	--
X.X	±0.40
X.XX	±0.25
X.XXX	±0.08
ANGULAR	--



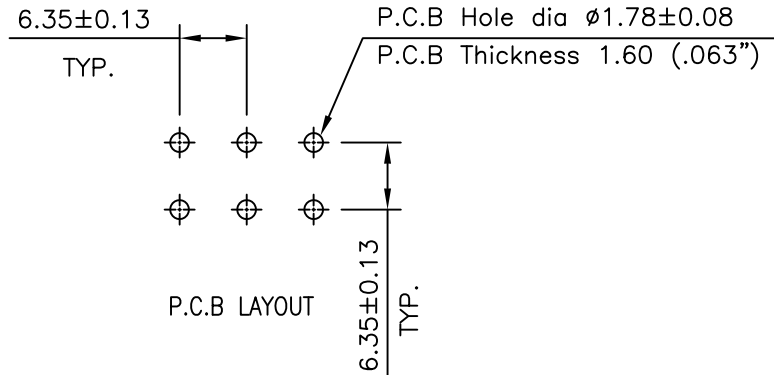
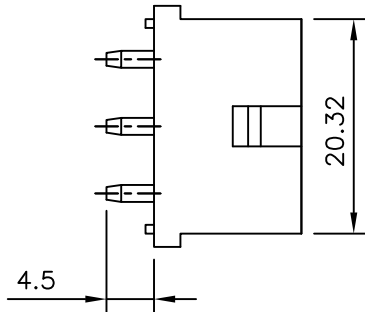
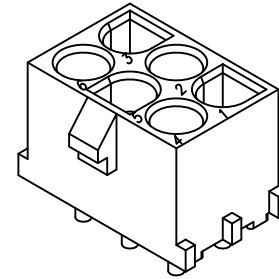
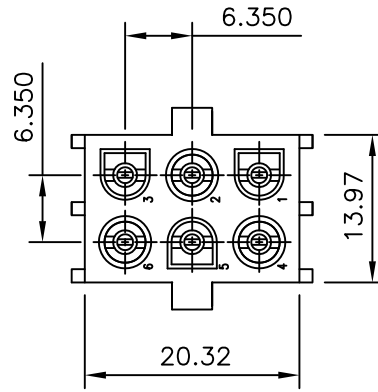
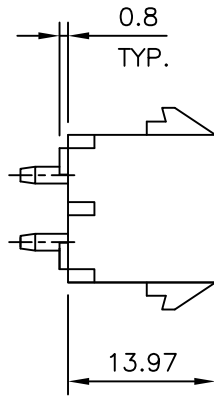
**Young Yak Enterprise Co., Ltd.**

TITLE: 6.35mm(.250") Pitch  
 Wire to Board Header (6 POS.)

APPROVALS		VIEW	SCALE	PART NO.	REV.
DRAWN	Frank		1:1	YY-4000-W06FST-**	A4
CHECKED	Kang				
APPROVED	Denise	UNIT	SIZE	DWG NO.	SHEET
		MM	A4	YY-4000-W06FST-**-085	1 OF 1



C US E182481



REV	DESCRIPTION	DATE
A3	EN001107-1	2011.11.08
A4	EN010918-1	2012.09.18

### NOTES

Available in 06 Circuits  
 Material: Nylon 66 UL94-V2 or UL94-V0  
 Contact Material: Phosphor bronze  
 Contact Plated: Tin-plated

### SPECIFICATION

Voltage rating: 600V AC/DC  
 Current rating: 11A  
 Insulation Resistance: 1000MΩ Min.  
 Dielectric Withstanding Voltage: 2900V AC/minute  
 Operation temperature: -40°C to +105°C

### ORDERING INFORMATION

**YY-4000 - W 06 M S T - \*\***  
                   1 2 3 4 5

- No. of Circuits 06
- M : Male Type (Split Pin)
- S : Straight
- T : Tin
- : Nylon 66 UL94-V2  
 V0 : Nylon 66 UL94-V0

TOLERANCE	
X.	--
X.X	±0.40
X.XX	±0.25
X.XXX	±0.08
ANGULAR	--



**Young Yak Enterprise Co., Ltd.**

TITLE 6.35mm(.250") Pitch  
 Wire to Board Header (6 POS.)

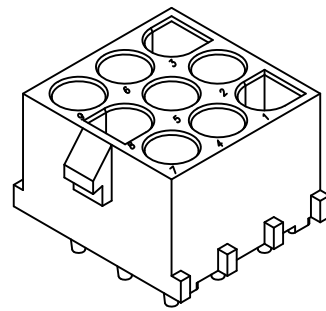
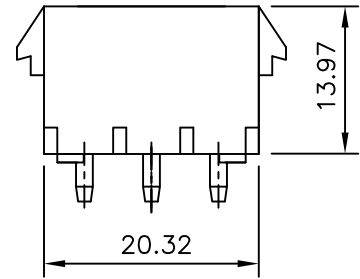
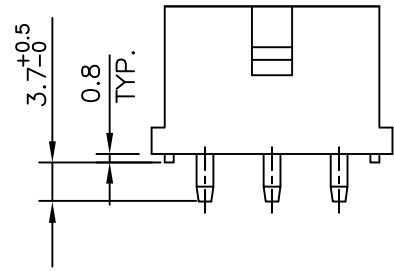
APPROVALS		VIEW	SCALE	PART NO.	REV.
DRAWN	Frank		1:1	YY-4000-W06MST-**	A4
CHECKED	Kang				
APPROVED	Denise	UNIT	SIZE	DWG NO.	SHEET
		MM	A4	YY-4000-W06MST-**-085	1 OF 1





C **RI** US E182481

REV	DESCRIPTION	DATE
A3	EN001107-1	2011.11.08
A4	EN010918-1	2012.09.18



**NOTES**

Available in 09 Circuits  
 Material: Nylon 66 UL94-V2 or UL94-V0  
 Contact Material: Phosphor bronze  
 Contact Plated: Tin-plated

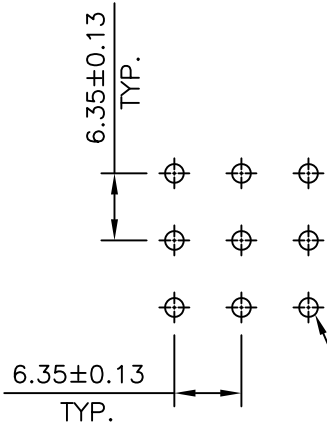
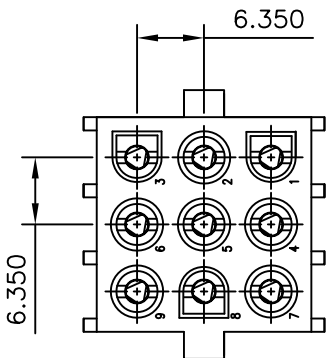
**SPECIFICATION**

Voltage rating: 600V AC/DC  
 Current rating: 11A  
 Insulation Resistance: 1000MΩ Min.  
 Dielectric Withstanding Voltage: 2900V AC/minute  
 Operation temperature: -40°C to +105°C

**ORDERING INFORMATION**

**YY-4000 - W 09 F S T - \*\***  
                   1 2 3 4 5

- 1. No. of Circuits 09
- 2. F : Female Type
- 3. S : Straight
- 4. T : Tin
- 5. □ : Nylon 66 UL94-V2  
       V0 : Nylon 66 UL94-V0



P.C.B Hole dia  $\phi 1.78 \pm 0.08$   
 P.C.B Thickness 1.60 (.063")

P.C.B LAYOUT

TOLERANCE	
X.	--
X.X	±0.40
X.XX	±0.25
X.XXX	±0.08
ANGULAR	--
APPROVALS	
DRAWN	Frank 18-September-2012
CHECKED	Kang 18-September-2012
APPROVED	Denise 18-September-2012



TITLE: 6.35mm(.250") Pitch  
 Wire to Board Header (9 POS.)

VIEW	SCALE	PART NO.	REV.
	1:1	YY-4000-W09FST-**-**	A4
UNIT	SIZE	DWG NO.	SHEET
MM	A4	YY-4000-W09FST-**-085	1 OF 1







C US E182481

REV	DESCRIPTION	DATE
A3	EN001107-1	2011.11.08
A4	EN010918-1	2012.09.18

### NOTES

Available in 09 Circuits  
 Material: Nylon 66 UL94-V2 or UL94-V0  
 Contact Material: Phosphor bronze  
 Contact Plated: Tin-plated

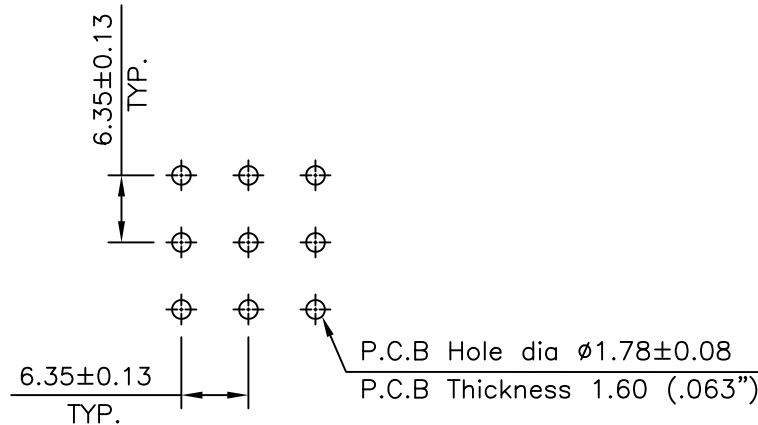
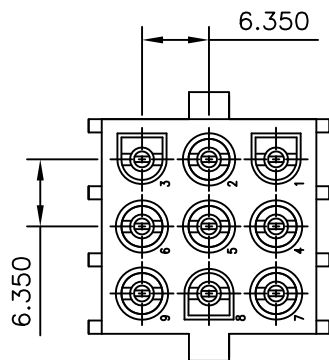
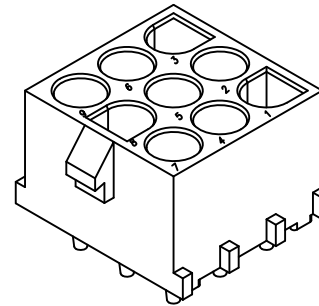
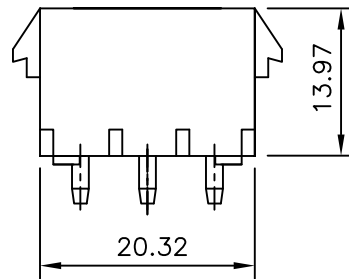
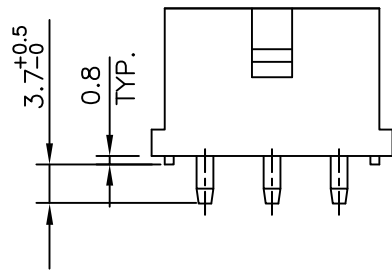
### SPECIFICATION

Voltage rating: 600V AC/DC  
 Current rating: 11A  
 Insulation Resistance: 1000MΩ Min.  
 Dielectric Withstanding Voltage: 2900V AC/minute  
 Operation temperature: -40°C to +105°C

### ORDERING INFORMATION

YY-4000 - W 09 M S T - \*\*  
   1 2 3 4 5

1. No. of Circuits 09
2. M : Male Type (Split Pin)
3. S : Straight
4. T : Tin
5. □ : Nylon 66 UL94-V2  
V0 : Nylon 66 UL94-V0



P.C.B LAYOUT

TOLERANCE	
X.	--
X.X	±0.40
X.XX	±0.25
X.XXX	±0.08
ANGULAR	--



**Young Yak Enterprise Co., Ltd.**

TITLE: 6.35mm(.250") Pitch  
 Wire to Board Header (9 POS.)

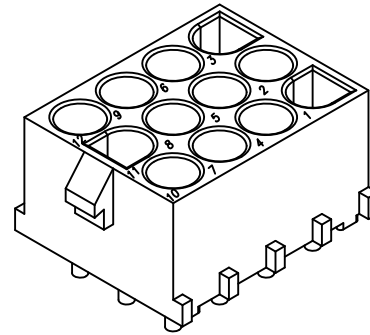
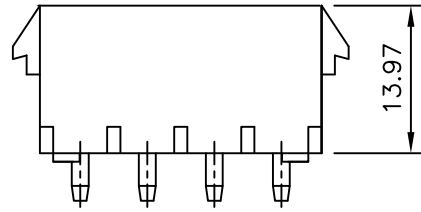
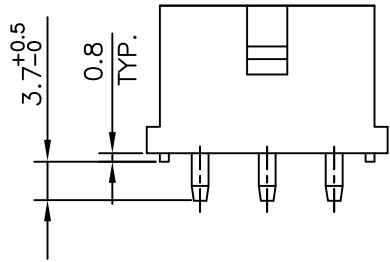
APPROVALS		VIEW	SCALE	PART NO.	REV.
DRAWN	Frank		1:1	YY-4000-W09MST-**-**	A4
CHECKED	Kang				
APPROVED	Jessica	UNIT	SIZE	DWG NO.	SHEET
		MM	A4	YY-4000-W09MST-**-085	1 OF 1





C **RI** US E182481

REV	DESCRIPTION	DATE
A3	EN001107-1	2011.11.08
A4	EN010918-1	2012.09.18



### NOTES

Available in 12 Circuits  
 Material: Nylon 66 UL94-V2 or UL94-V0  
 Contact Material: Phosphor bronze  
 Contact Plated: Tin-plated

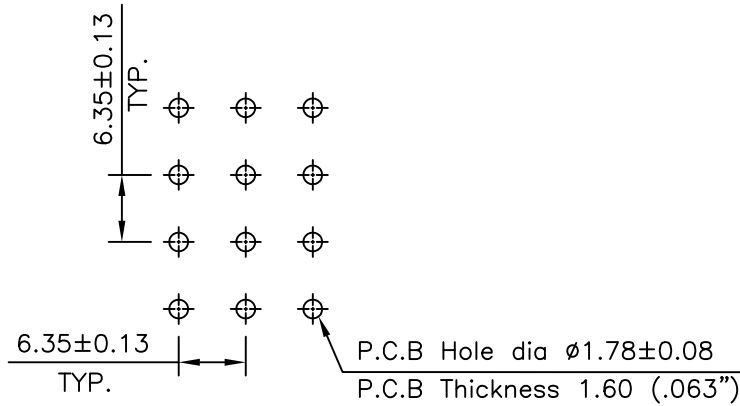
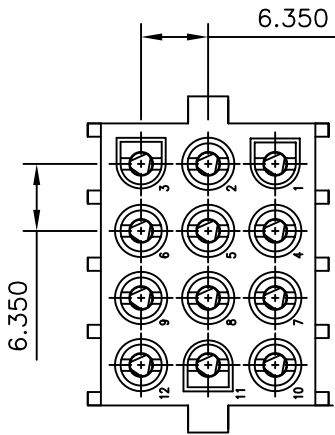
### SPECIFICATION

Voltage rating: 600V AC/DC  
 Current rating: 11A  
 Insulation Resistance: 1000MΩ Min.  
 Dielectric Withstanding Voltage: 2900V AC/minute  
 Operation temperature: -40°C to +105°C

### ORDERING INFORMATION

**YY-4000 - W 12 F S T - \*\***  
   **1 2 3 4 5**

- No. of Circuits 12
- F : Female Type
- S : Straight
- T : Tin
- : Nylon 66 UL94-V2  
V0 : Nylon 66 UL94-V0



P.C.B LAYOUT

TOLERANCE	
X.	--
X.X	±0.40
X.XX	±0.25
X.XXX	±0.08
ANGULAR	--



**Young Yak Enterprise Co., Ltd.**

TITLE 6.35mm(.250'') Pitch  
 Wire to Board Header (12 POS.)

APPROVALS		VIEW	SCALE	PART NO.	REV.
DRAWN	Frank		1:1	YY-4000-W12FST-**	A4
CHECKED	Kang				
APPROVED	Denise	UNIT	SIZE	DWG NO.	SHEET
		MM	A4	YY-4000-W12FST-**-085	1 OF 1





C **UL** US E182481

REV	DESCRIPTION	DATE
A4	EN010918-1	2012.09.18
A5	EN030708-1	2013.07.08

### NOTES

Available in 12 Circuits  
 Material: Nylon 66 UL94-V2 or UL94-V0  
 Contact Material: Phosphor bronze  
 Contact Plated: Tin-plated

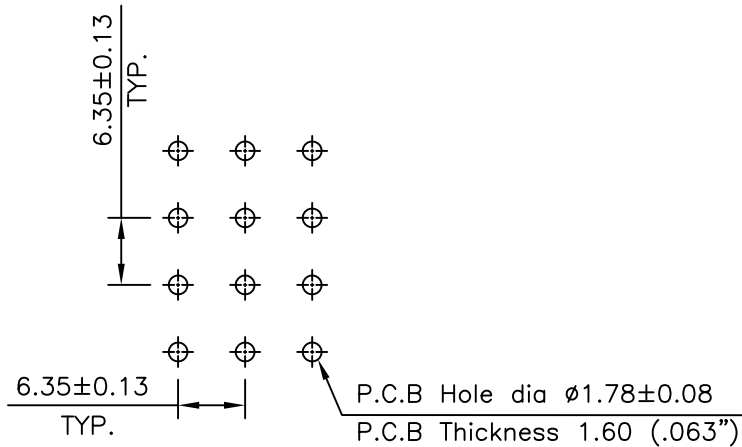
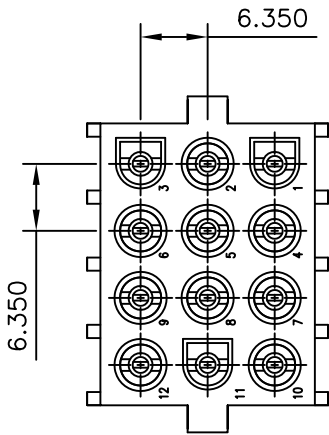
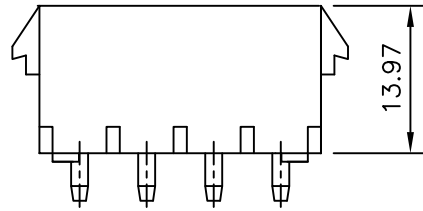
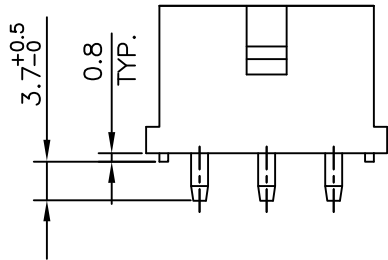
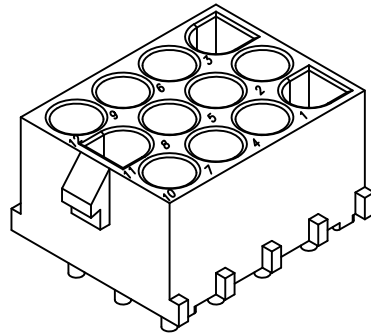
### SPECIFICATION

Voltage rating: 600V AC/DC  
 Current rating: 11A  
 Insulation Resistance: 1000MΩ Min.  
 Dielectric Withstanding Voltage: 2900V AC/minute  
 Operation temperature: -40°C to +105°C

### ORDERING INFORMATION

**YY-4000 - W 12 M S T - \*\***  
                                   1 2 3 4 5

- No. of Circuits 12
- M - Male Type (Split Pin)
- S - Straight (Number of Rows : 3)
- T - Tin
- - Nylon 66 UL94-V2  
    V0 : Nylon 66 UL94-V0



P.C.B LAYOUT

TOLERANCE	
X.	--
X.X	±0.40
X.XX	±0.25
X.XXX	±0.08
ANGULAR	--



**Young Yak Enterprise Co., Ltd.**

TITLE: 6.35mm(.250'') Pitch  
 Wire to Board Header (12 POS.)

APPROVALS		VIEW	SCALE	PART NO.	REV.
DRAWN	Kang		1:1	YY-4000-W12MST-**	A5
CHECKED	Denise				
APPROVED	Jessica	UNIT	SIZE	DWG NO.	SHEET
		MM	A4	YY-4000-W12MST-**-085	1 OF 1





C US E182481

REV	DESCRIPTION	DATE
A3	EN001107-1	2011.11.08
A4	EN010918-1	2012.09.18

### NOTES

Available in 15 Circuits  
 Material: Nylon 66 UL94-V2 or UL94-V0  
 Contact Material: Phosphor bronze  
 Contact Plated: Tin-plated

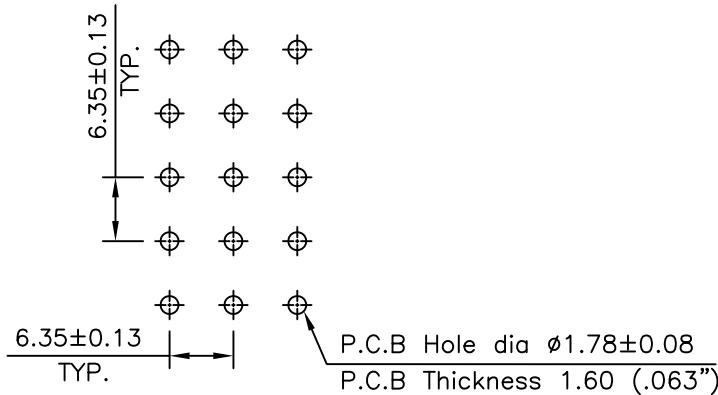
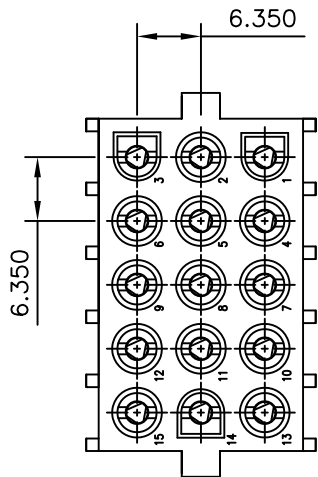
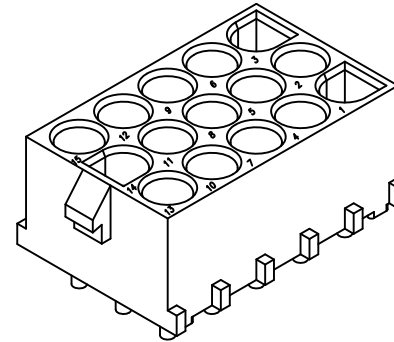
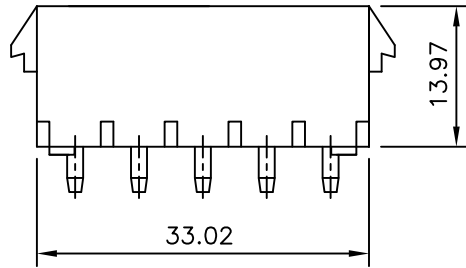
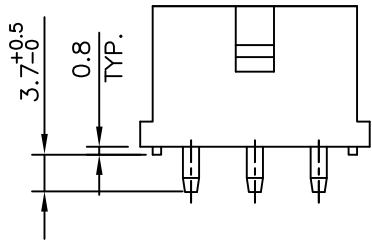
### SPECIFICATION

Voltage rating: 600V AC/DC  
 Current rating: 11A  
 Insulation Resistance: 1000MΩ Min.  
 Dielectric Withstanding Voltage: 2900V AC/minute  
 Operation temperature: -40°C to +105°C

### ORDERING INFORMATION

**YY-4000 - W 15 F S T - \*\***  
 1 2 3 4 5

- No. of Circuits 15
- F : Female Type
- S : Straight
- T : Tin
- : Nylon 66 UL94-V2  
V0 : Nylon 66 UL94-V0



P.C.B LAYOUT

TOLERANCE	
X.	--
X.X	±0.40
X.XX	±0.25
X.XXX	±0.08
ANGULAR	--



**Young Yak Enterprise Co., Ltd.**

TITLE: 6.35mm(.250") Pitch  
 Wire to Board Header (15 POS.)

APPROVALS		VIEW	SCALE	PART NO.	REV.
DRAWN	Frank		1:1	YY-4000-W15FST-**	A4
CHECKED	Kang				
APPROVED	Denise	UNIT	SIZE	DWG NO.	SHEET
		MM	A4	YY-4000-W15FST-**-085	1 OF 1





C **RY** US E182481

REV	DESCRIPTION	DATE
A4	EN010918-1	2012.09.18
A5	EN030708-1	2013.07.08

### NOTES

Available in 15 Circuits  
 Material: Nylon 66 UL94-V2 or UL94-V0  
 Contact Material: Phosphor bronze  
 Contact Plated: Tin-plated

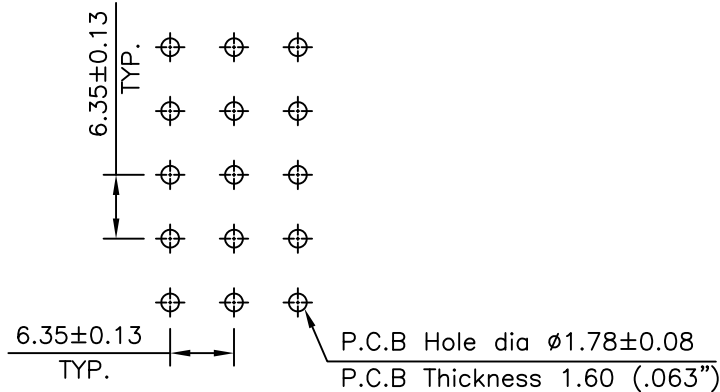
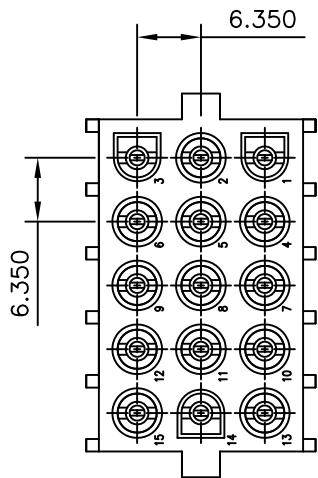
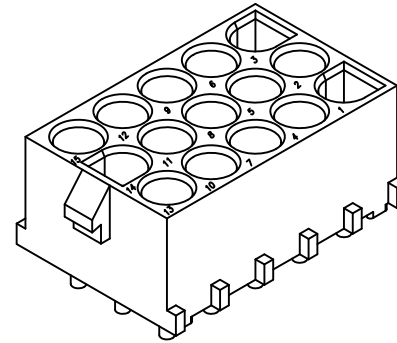
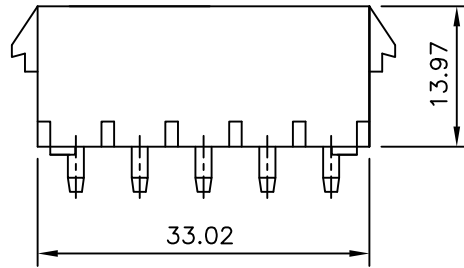
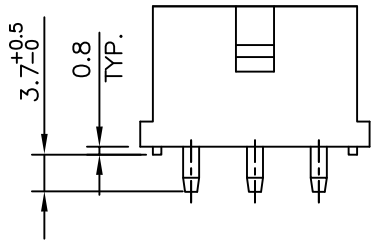
### SPECIFICATION

Voltage rating: 600V AC/DC  
 Current rating: 11A  
 Insulation Resistance: 1000MΩ Min.  
 Dielectric Withstanding Voltage: 2900V AC/minute  
 Operation temperature: -40°C to +105°C

### ORDERING INFORMATION

**YY-4000 - W 15 M S T - \*\***  
                   1   2   3   4   5

- No. of Circuits 15
- M : Male Type (Split Pin)
- S : Straight (Number of Rows: 3)
- T : Tin
- : Nylon 66 UL94-V2  
       V0 : Nylon 66 UL94-V0



P.C.B LAYOUT

TOLERANCE	
X.	--
X.X	±0.40
X.XX	±0.25
X.XXX	±0.08
ANGULAR	--



**Young Yak Enterprise Co., Ltd.**

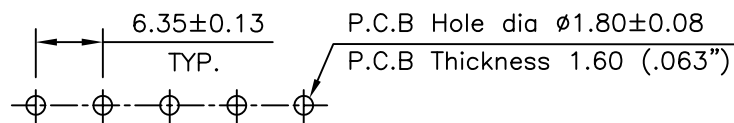
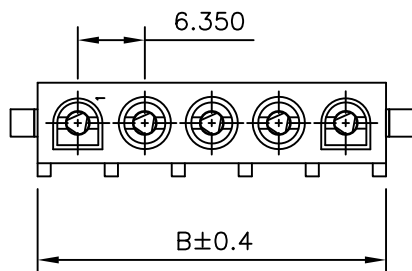
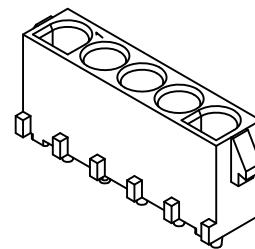
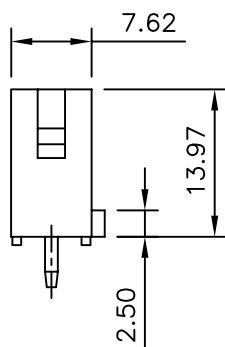
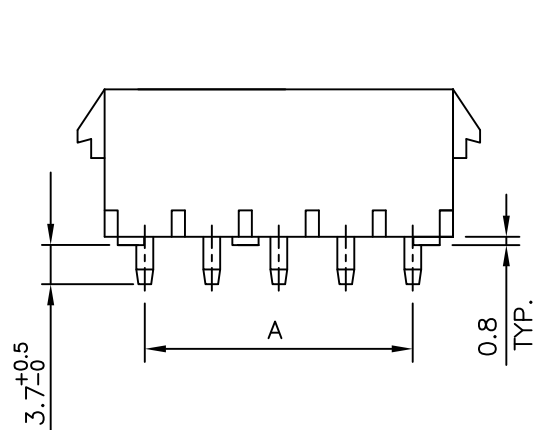
TITLE: 6.35mm(.250") Pitch  
 Wire to Board Header (15 POS.)

APPROVALS		VIEW	SCALE	PART NO.	REV.
DRAWN	Kang		1:1	YY-4000-W15MST-**-**	A5
CHECKED	Denise				
APPROVED	Jessica	UNIT	SIZE	DWG NO.	SHEET
		MM	A4	YY-4000-W15MST-**-085	1 OF 1





C **UL** US E182481



P.C.B LAYOUT

Part No.	Dimension mm		Part No.	Dimension mm	
	A	B		A	B
YY-4000-W02FSST-**	6.35	13.97	YY-4000-W07FSST-**	38.10	45.72
YY-4000-W03FSST-**	12.70	20.32	YY-4000-W08FSST-**	44.45	52.07
YY-4000-W04FSST-**	19.05	26.67	YY-4000-W09FSST-**	50.80	58.42
YY-4000-W05FSST-**	25.40	33.02	YY-4000-W10FSST-**	57.15	64.77
YY-4000-W06FSST-**	31.75	39.37	--	--	--



REV	DESCRIPTION	DATE
A5	EN010918-1	2012.09.18
A6	EN030708-1	2013.07.08

**NOTES**

Available in 02 through 10 Circuits  
 Material: Nylon 66 UL94-V2 or UL94-V0  
 Contact Material: Phosphor bronze  
 Contact Plated: Tin-plated

**SPECIFICATION**

Voltage rating: 600V AC/DC  
 Current rating: 13A (2~5P), 11A (6~10P)  
 Insulation Resistance: 1000MΩ Min.  
 Dielectric Withstanding Voltage: 2900V AC/minute  
 Operation temperature: -40°C to +105°C

**ORDERING INFORMATION**

YY-4000 - W \*\* F SS T - \*\*  
                   1 2 3 4 5

- No. of Circuits 02~10
- F : Female Type
- SS : Single Row / Straight
- T : Tin
- : Nylon 66 UL94-V2  
       V0 : Nylon 66 UL94-V0

TOLERANCE	
X.	--
X.X	±0.40
X.XX	±0.25
X.XXX	±0.08
ANGULAR	--
APPROVALS	
DRAWN	Kang 08-July-2013
CHECKED	Denise 08-July-2013
APPROVED	Jessica 08-July-2013



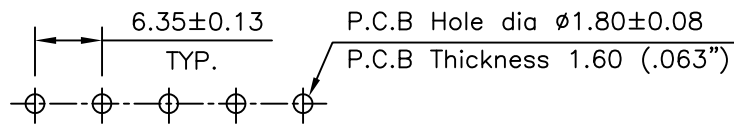
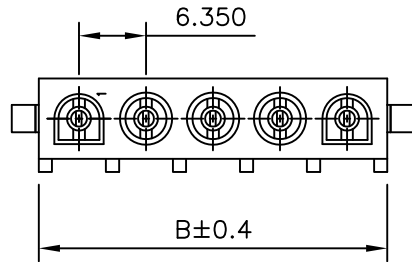
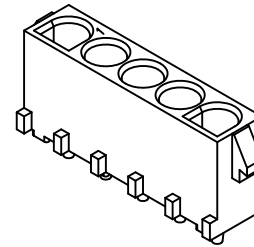
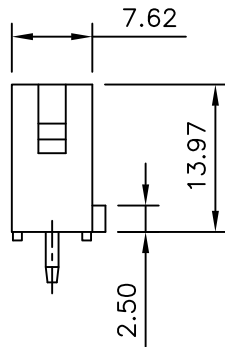
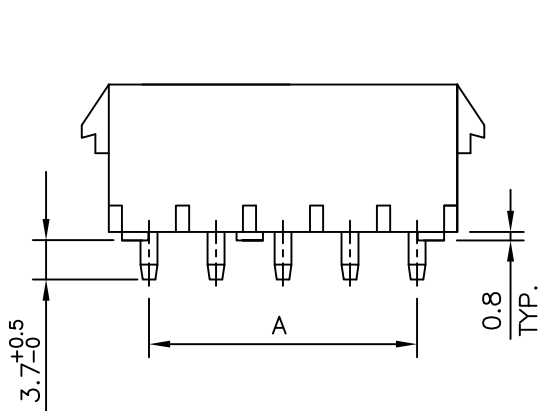
**Young Yak Enterprise Co., Ltd.**

TITLE 6.35mm(.250") Pitch  
 Wire to Board Header

VIEW	SCALE	PART NO.	REV.
VIEW	1:1	YY-4000-W**FSST-**	A6
UNIT	SIZE	DWG NO.	SHEET
MM	A4	YY-4000-W**FSST-**-085	1 OF 1



C **RI** US E182481



P.C.B LAYOUT

Part No.	Dimension mm		Part No.	Dimension mm	
	A	B		A	B
YY-4000-W02MSST-**-	6.35	13.97	YY-4000-W07MSST-**-	38.10	45.72
YY-4000-W03MSST-**-	12.70	20.32	YY-4000-W08MSST-**-	44.45	52.07
YY-4000-W04MSST-**-	19.05	26.67	YY-4000-W09MSST-**-	50.80	58.42
YY-4000-W05MSST-**-	25.40	33.02	YY-4000-W10MSST-**-	57.15	64.77
YY-4000-W06MSST-**-	31.75	39.37	--	--	--

REV	DESCRIPTION	DATE
A5	EN010918-1	2012.09.18
A6	EN0030708-1	2013.07.08

**NOTES**

Available in 02 through 10 Circuits  
 Material: Nylon 66 UL94-V2 or UL94-V0  
 Contact Material: Phosphor bronze  
 Contact Plated: Tin-plated

**SPECIFICATION**

Voltage rating: 600V AC/DC  
 Current rating: 13A (2~5P), 11A (6~10P)  
 Insulation Resistance: 1000MΩ Min.  
 Dielectric Withstanding Voltage: 2900V AC/minute  
 Operation temperature: -40°C to +105°C

**ORDERING INFORMATION**

**YY-4000 - W \*\* M SS T - \*\***  
 1 2 3 4 5

- No. of Circuits 02~10
- M - Male Type (Split Pin)
- SS - Single Row / Straight
- T - Tin
- - Nylon 66 UL94-V2  
 V0 - Nylon 66 UL94-V0



TOLERANCE	
X.	--
X.X	±0.40
X.XX	±0.25
X.XXX	±0.08
ANGULAR	--
APPROVALS	
DRAWN	Kang
	08-July-2013
CHECKED	Denise
	08-July-2013
APPROVED	Jessica
	08-July-2013



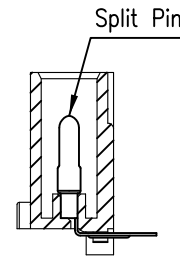
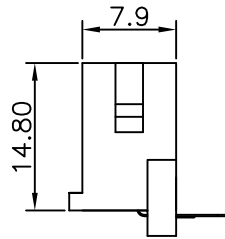
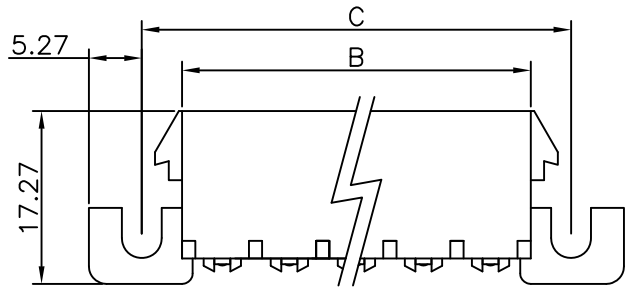
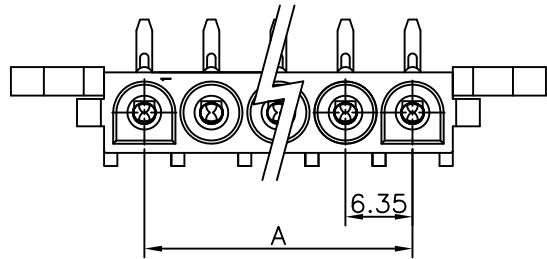
**Young Yak Enterprise Co., Ltd.**

TITLE 6.35mm(.250") Pitch  
 Wire to Board Header

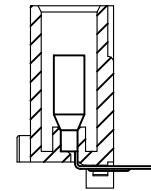
VIEW	SCALE	PART NO.	REV.
1:1	1:1	YY-4000-W**MSST-**-	A6
UNIT	SIZE	DWG NO.	SHEET
MM	A4	YY-4000-W**MSST-**-085	1 OF 1



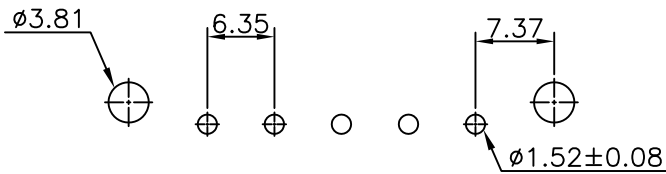
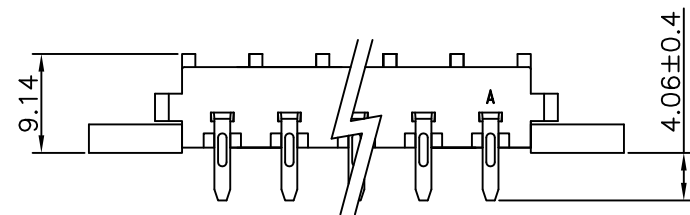
C **RI** US E182481



Male Type



Female Type



P. C. board layout

Circuits	Dimension mm		
	A	B	C
2	6.35	13.97	21.08
A: 6.35 X (PART NO. OF PIN -1)			
B: 6.35 X (PART NO. OF PIN)+1.27			
C: 6.35 X (PART NO. OF PIN)+8.38			
10	57.15	64.77	71.88

REV	DESCRIPTION	DATE
A2	EN001107-1	2011.11.08
A3	EN010918-1	2012.09.18

**NOTES**

Available in 02 through 10 Circuits  
 Material: Nylon 66 UL94-V0  
 Contact Material: Phosphor bronze  
 Contact Plated: Tin-plated

**SPECIFICATION**

Voltage rating: 600V AC/DC  
 Current rating: 13A (2~5P) , 11A (6~10P)  
 Insulation Resistance: 1000MΩ Min.  
 Dielectric Withstanding Voltage: 2900V AC/minute  
 Operation temperature: -40°C to +105°C

**ORDERING INFORMATION**

**YY-4000 - W \*\* \* S R T - V0**  
                   1 2 3 4 5 6

- No. of Circuits 02~10
- F : Female Type  
M : Male Type
- S : Single Row
- R : Right Angle
- T : Tin
- V0 : Nylon 66 UL94-V0



**Young Yak Enterprise Co., Ltd.**

TITLE 6.35mm(.250") Pitch  
 Wire to Board Header

TOLERANCE		APPROVALS		
X.	--	DRAWN	Frank	VIEW
X.X	±0.40	18-September-2012		SCALE
X.XX	±0.25	CHECKED	Kang	F
X.XXX	±0.08	18-September-2012		PART NO.
ANGULAR	--	APPROVED	Denise	YY-4000-W***SRT-V0
		18-September-2012		REV.
				A3
		UNIT	MM	SIZE
				A4
		DWG NO.	YY-4000-W***SRT-V0-085	
			SHEET	
			1 OF 1	

